



**POWER[™]
STRIP/30**



MPCC-2-16-2-L-44-04.00-D-NUS

(5.00 mm) .197" (PWR) (2.00 mm) .079" (SIG)

MPCC SERIES

POWERSTRIP[™]/30 CABLE ASSEMBLY

SPECIFICATIONS

For complete specifications see www.samtec.com?MPCC

Insulator Material:

Black LCP
Contact Material:
Signal: BeCu
Power: Copper Alloy

Plating:

Sn or Au over
50 μ" (1.27 μm) Ni

Current Rating:

Signal Pin (24 AWG):
3.4 A per pin
(4 adjacent pins powered)
Power Pin (14 AWG):
23.2 A per pin
(1 pin powered)

Operating Temp Range:

-10 °C to +105 °C

Voltage Rating:

300 VAC

RoHS Compliant:

Yes

Lead-Free Solderable:

Yes

Mates with:
MPTC

Single or
Double Ended

16 or 24
Signal pins

Dual leaf blade
contacts

Positive
latching
system

RECOGNITIONS

For complete scope of recognitions see www.samtec.com/quality



FILE NO. E111594

COMPONENTS

- For body, see www.samtec.com?IMSC5
- For contacts, see www.samtec.com?CC81L
www.samtec.com?CC81R
www.samtec.com?CC46L
www.samtec.com?CC46R



-16
= Total Signal Pins

-24
= Total Signal Pins

-L
= 10 μ" (0.25 μm)
Gold on contact,
Tin on tail
(Power & Signal)

-T
= Tin on contacts
and tail (Power),
Gold on contact,
Tin on tail (Signal)

Specify
LEAD
STYLE
from
chart

-"XX.XX"
= Assembled
Length
in Inches
(101.60 mm)
04.00" min.

-S
= Single
End

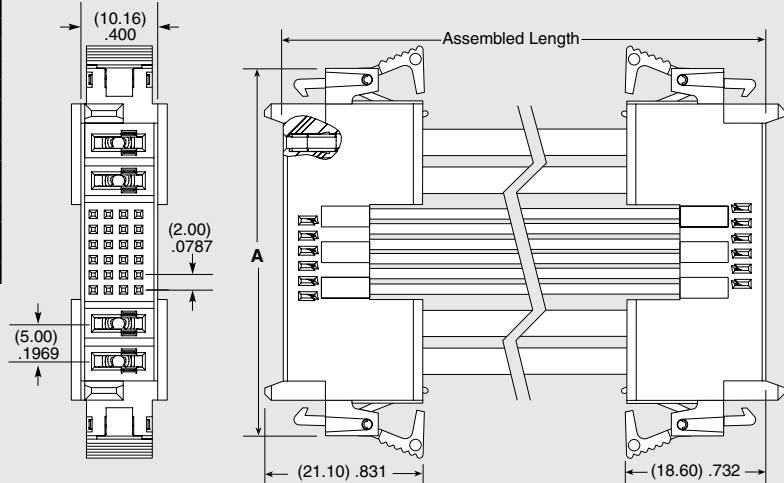
-D
= Double
End

(Available
with -D
only)

-NUS
= Notch
up,
straight
(Pin A1 to
Pin AX)

| LEAD STYLE | PWR/SIG | AWG |
|------------|---------|-----|
| -44 | PWR | 14 |
| | SIG | 24 |
| -46 | PWR | 14 |
| | SIG | 26 |
| -48 | PWR | 14 |
| | SIG | 28 |
| -40 | PWR | 14 |
| | SIG | 30 |
| -64 | PWR | 16 |
| | SIG | 24 |
| -66 | PWR | 16 |
| | SIG | 26 |
| -68 | PWR | 16 |
| | SIG | 28 |
| -60 | PWR | 16 |
| | SIG | 30 |

| SIGNAL PINS | A |
|-------------|---------------|
| 16 | (44.55) 1.754 |
| 24 | (48.55) 1.911 |



Note:
Some sizes, styles and options are non-standard, non-returnable.

Due to technical progress, all designs, specifications and components are subject to change without notice.

WWW.SAMTEC.COM

All parts within this catalog are built to Samtec's specifications.
Customer specific requirements must be approved by Samtec and identified in a Samtec customer-specific drawing to apply.