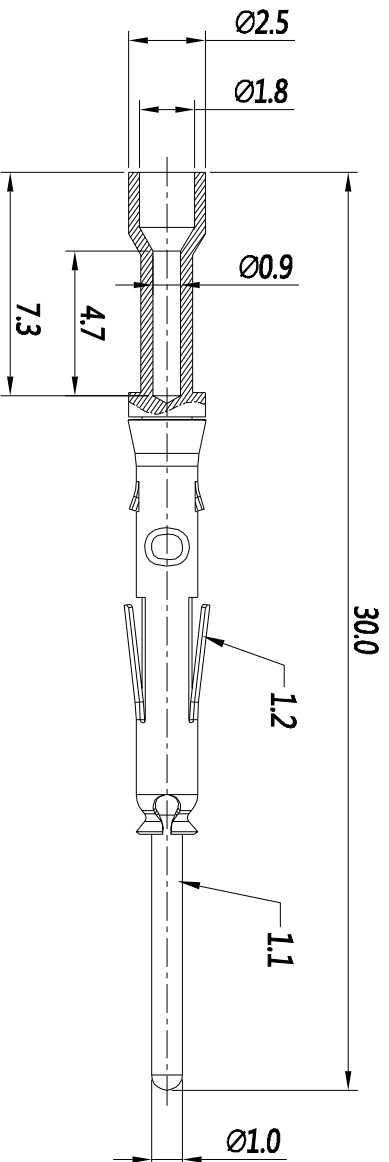


REVISIONS				
REV	ECO	DESCRIPTION	DATE	BY APPR
B1	-	RELEASED DRAWING	JUN-18-2014	BEN TOMMY



- NOTES : ( UNLESS OTHERWISE SPECIFIED )
- MATERIAL :
    - CONTACT BODY : COPPER ALLOY.
    - OUTER SPRING : STAINLESS STEEL.
  - SPECIFICATIONS :
    - CURRENT RATING : 7.5A(MAX).
    - TERMINATION TYPE : CRIMPING.
    - WIRE RANGE : 26~24AWG.
  - SUITABLE SOCKET TYPE : MS24W23xx.
  - ROHS COMPLIANT.
  - ALL DIMENSIONS ARE FOR REFERENCE USE ONLY.

P/N	CONTACT PLATING(MATING AREA)
MP24W23F	GOLD FLASH PLATING OVER NICKEL.
MP24W23G5	5µ" GOLD PLATING OVER NICKEL.
MP24W23G10	10µ" GOLD PLATING OVER NICKEL.
MP24W23G15	15µ" GOLD PLATING OVER NICKEL.
MP24W23G30	30µ" GOLD PLATING OVER NICKEL.

QUANTITY	PART NUMBER	DESCRIPTION	ITEM
<b>MATERIALS LIST</b>			

UNLESS OTHERWISE SPECIFIED	SIGNATURES	DATE
1) ALL DIMENSIONS ARE IN MILLIMETERS.	DRAWN: BEN	JUN-18-2014
2) TOLERANCES ARE AS SHOWN.	CHECKED:	
3) Note reference =	ENGINEER:	
	APPROVAL:	
	CUSTOMER:	

PROCESS SPECIFICATIONS:	THIS DRAWING IS SUPPLIED FOR SPECIFICATIONS AND PERFORMANCE DATA. THE DRAWING IS NOT TO BE USED FOR REPRODUCTION OR REPRODUCTION IN ANY MANNER. ALL MANUFACTURING VARIATION.
NEXT ASST:	SCALE: NONE
	SIZE: B
	TYPE: C-
	DWG NO: MP24W23xx
	REVISION: B1
	SHEET: 1 OF 1

**Amphenol**  
 Shine Systems - www.amphenol-shine.com  
 44724 Monkey Drive  
 Clinton Township, MI 48038

ECO-MATE PIN CONTACT,  
 MACHINE:26-24AWG,SIZE 20.