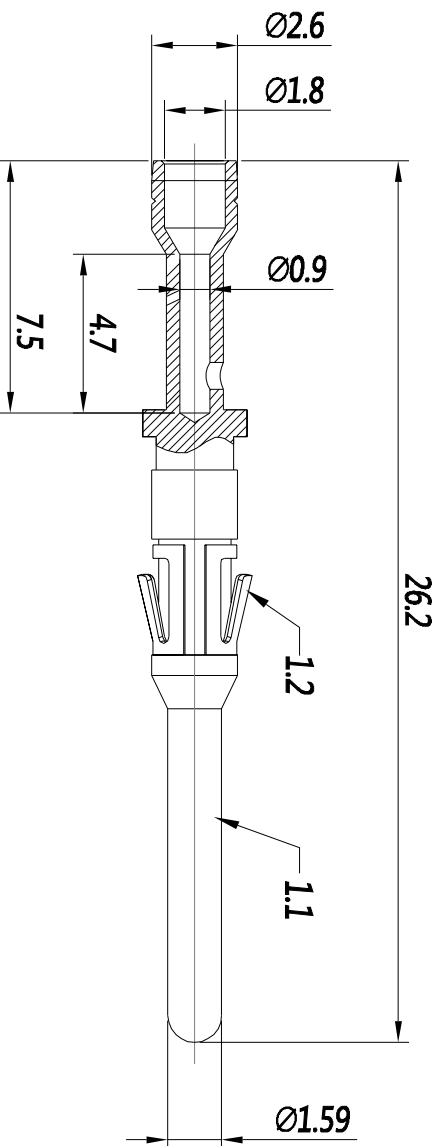


REVISIONS				
REV	ECO	DESCRIPTION	DATE	BY APPR
B1	-	RELEASED DRAWING	JUN-18-2014	BEN TOMMY



P/N	CONTACT PLATING(MATING AREA)
MP24M23T	TIN PLATING OVER NICKEL.
MP24M23S	SILVER PLATING OVER NICKEL.
MP24M23F	GOLD FLASH PLATING OVER NICKEL.
MP24M23G10	10µ" GOLD PLATING OVER NICKEL.
MP24M23G15	15µ" GOLD PLATING OVER NICKEL.
MP24M23G30	30µ" GOLD PLATING OVER NICKEL.

- NOTES : (UNLESS OTHERWISE SPECIFIED)
- MATERIAL :
 - CONTACT BODY : COPPER ALLOY.
 - POSITIONING CLIP : COPPER ALLOY.
 - SPECIFICATIONS :
 - CURRENT RATING : 13A(MAX).
 - TERMINATION TYPE : CRIMPING.
 - WIRE RANGE : 24~26AWG.
 - SUITABLE SOCKET TYPE : MS24M23xx.
 - ROHS COMPLIANT.
 - ALL DIMENSIONS ARE FOR REFERENCE USE ONLY.

QUANTITY	PART NUMBER	DESCRIPTION	ITEM
		MATERIALS LIST	
UNLESS OTHERWISE SPECIFIED			
1) ALL DIMENSIONS ARE IN MILLIMETERS.			
2) TOLERANCES ARE AS SHOWN.			
3) Note reference = A			
SIGNATURES		DATE	
DRAWN: BEN		JUN-18-2014	
CHECKED:			
ENGINEER:			
APPROVAL:			
CUSTOMER:	ECO-MATE PIN CONTACT, MACHINE, 24-26AWG, SIZE 16.		
THIS DRAWING IS SUPPLIED FOR INFORMATIONAL PURPOSES ONLY. IT IS NOT TO BE USED FOR THE MANUFACTURE OF REPRODUCTION AND PERFORMANCE DATA. THE DRAWING IS THE PROPERTY OF AMPHENOL AND ALL RIGHTS ARE RESERVED. ALL REPRODUCTION AND PERFORMANCE DATA ARE SUBJECT TO MANUFACTURING VARIATION.			
SCALE: NONE	SIZE: B	TYPE: C-	REVISION: B1
			SHEET 1 OF 1

Amphenol
 Sine Systems - www.amphenol-sine.com
 44724 Monkey Drive
 Clinton Township, MI 48038