

**MICRO SWITCH**  
a Honeywell Division

**SWITCH - ENCLOSED**

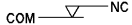
CATALOG LISTING  
**ML-1329**

FED. WFO. CODE 81929

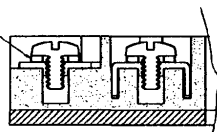
**NOTES**

- 1 - HARD ANODIZED ALUMINUM HOUSING, STAINLESS STEEL PLUNGER
- 2 - SWITCH SEALED WATERTIGHT, TESTED TO +5 PSIG
- 3 - THERMOPLASTIC MATERIAL(S) SHALL CONFORM TO MIL-M-14 OR MIL-M-24519
- 4 - FLUOROSILICONE SEAL USED FOR PLUNGER SEAL
- 5 - TEMPERATURE RANGE -65° TO +185°F
- 6 - CIRCUIT DIAGRAM, CATALOG LISTING, AND DATE CODE MARKED ON SWITCH
- 7 - PLUNGER FREE POSITION ADJUSTABLE RANGE
- 8 - SHOCK: 50g
- 9 - VIBRATION: 10 - 2000 Hz
- 10 - MECHANICAL LIFE: 50,000 CYCLES
- 11 - CAPTIVE MOUNTING SCREWS, SPECIAL HEAD 6-32 UNC-3A 0.30 GRIP LENGTH
- 12 - CAPTIVE MOUNTING SCREWS, SPECIAL HEAD 6-32 UNC-3A 0.20 GRIP LENGTH
- 13 - TERMINAL BLOCK CAN BE MOLDED OR MACHINED WITH TERMINAL BLOCK. COLOR OPTIONAL
- 14 - POTTING TO COVER THIS AREA AND MAY EXTEND HIGHER THAN SURFACE OF HOUSING FLANGE

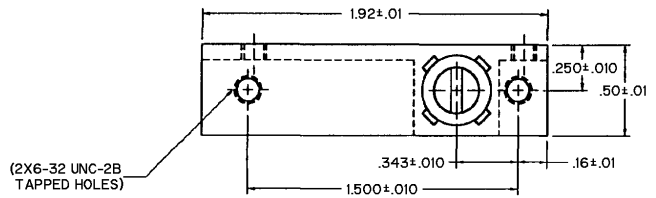
**CIRCUIT DIAGRAM**



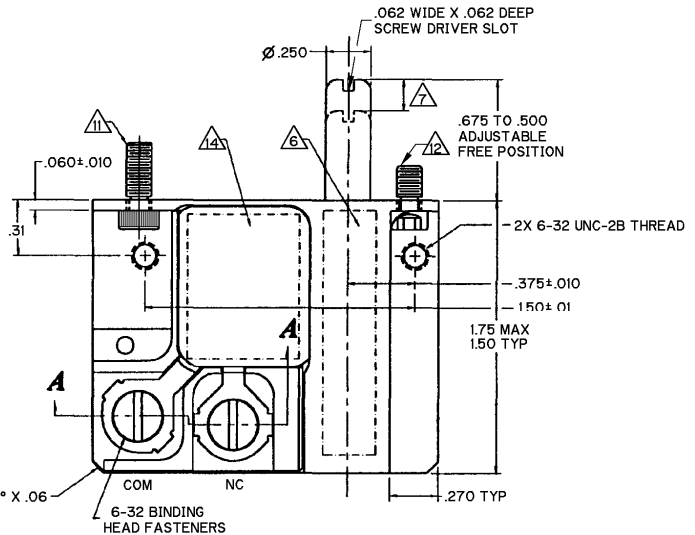
SPLIT RING  
LOCKWASHER



**SECTION A-A**



(2X6-32 UNC-2B  
TAPPED HOLES)



THIS DRAWING COVERS A PROPRIETARY ITEM AND IS THE PROPERTY OF MICRO SWITCH, A DIVISION OF HONEYWELL. THIS DRAWING IS NOT TO BE COPIED OR USED WITHOUT THE APPROVAL OF MICRO SWITCH.

THIRD ANGLE PROJECTION



CHARACTERISTICS	ELECTRICAL DATA		SCALE	NONE
OPERATING FORCE	7±3 LBS	CONTACT ARRANGEMENT		DO NOT SCALE PRINT
FULL OVERTRAVEL FORCE	30 LBS MAX	SPNC(1)		
RELEASE FORCE	2 LBS MIN	CONTACT MATERIALS: GOLD, OVERLAY AND ALLOY		UNLESS OTHERWISE SPECIFIED TOLERANCES ARE
PRETRAVEL	.12 MAX	30 VDC		ONE PLACE (.01) ±.030
DIFFERENTIAL TRAVEL	.020±.010	LOAD	SEA LEVEL	TWO PLACE (.00) ±.015
OVERTRAVEL	.35 MIN	RES	1.0	THREE PLACE (.000) ±.005
FREE POSITION		IND	0.25	ANGLES ± 4°
		MAX INRUSH	2.0	WEIGHT
			2.0	

ANSI Y14.5M-1982 APPLIES

CATALOG LISTING  
ML-1329  
ISSUE 2  
PAGE 1 OF 1  
REPLACES PR-24168  
REVISIONS: A 0020711 05APR06 AS 25 SEP 99 SAV  
DRAWN J L H 125 SEP 99