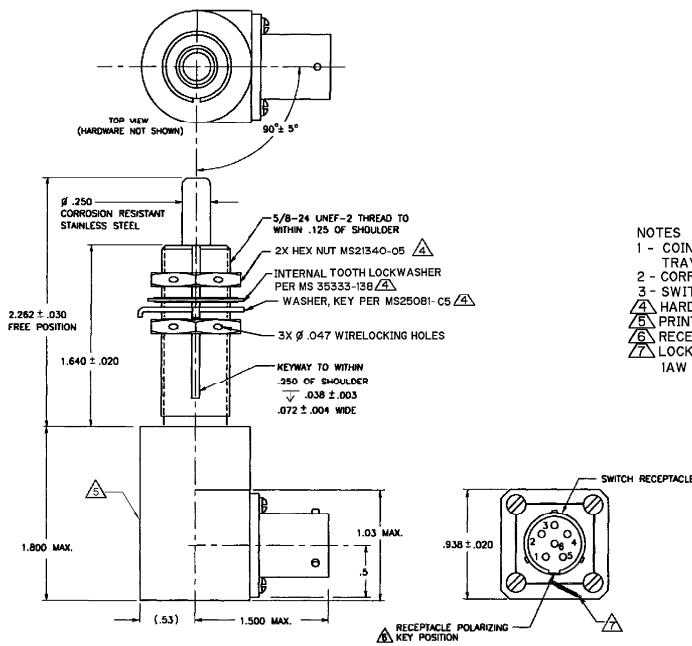
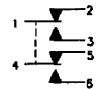


**MICRO SWITCH**  
a Honeywell Division  
FED. MFG. CODE 91825

**SWITCH - ENCLOSED**

CATALOG LISTING  
**ML-1285**

CIRCUIT DIAGRAM



- NOTES
- 1 - COINCIDENCE OF OPERATING AND RELEASING POINTS .010 OF PLUNGER TRAVEL
  - 2 - CORROSION RESISTANT STEEL ENCLOSURE AND PLUNGER
  - 3 - SWITCH SEALED PER MIL-PRF-8805 SYMBOL 4
  - 4 - HARDWARE MAY BE PACKAGED UNASSEMBLED PER MIL-PRF-8805
  - 5 - PRINT CIRCUIT DIAGRAM, CATALOG LISTING AND DATE CODE ON NAMEPLATE
  - 6 - RECEPTACLE PART NUMBER MS27496E9B35P MATES WITH MS2746719B35S
  - 7 - LOCK MOUNTING HARDWARE ON RECEPTACLE USING MS20995 SAFETY WIRE IAW MS33540

**ANSI Y14.5M-1982 APPLIES**

THIS DRAWING COVERS A PROPRIETARY ITEM AND IS THE PROPERTY OF MICRO SWITCH, A DIVISION OF HONEYWELL. THIS DRAWING IS NOT TO BE COPIED OR USED WITHOUT THE APPROVAL OF MICRO SWITCH.

THIRD ANGLE PROJECTION



CHARACTERISTICS		ELECTRICAL DATA		SCALE
OPERATING FORCE	6-12 LBS	CONTACT ARRANGEMENT		<b>NONE</b>
FULL OVERTRAVEL	30 LBS MAX	2X SPDT		DO NOT SCALE PRINT
RELEASE FORCE	4 LBS MIN	2B VDC		UNLESS OTHERWISE SPECIFIED TOLERANCES ARE
PRETRAVEL	.040 MAX	LOAD	SEA LEVEL	50,000 FT
DIFFERENTIAL TRAVEL	.020 MAX	RES	7	4
OVERTRAVEL	.500 MIN	IND	4	2.5
		WEIGHT	7 OZ MAX	

CATALOG LISTING  
**ML-1285**  
 PAGE 1 OF 1  
 ISSUE 4  
 REVISIONS  
 A CO 96988  
 S J W  
 1 JAN 00  
 0006874  
 B  
 1007AP  
 27 MAR 04  
 C 0003489  
 M S T  
 28 SEP 07  
 PSR  
 27 SEP 99  
 S A V  
 D L T  
 27 SEP 99  
 RASTER