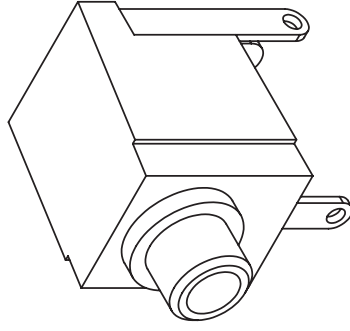
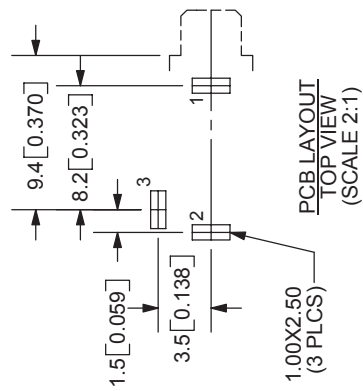
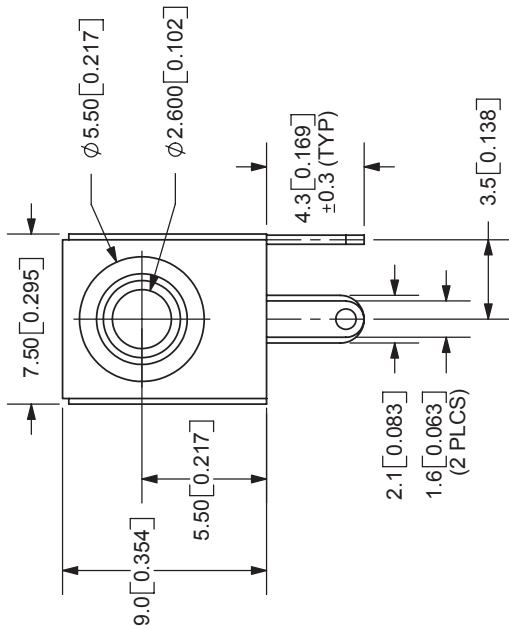
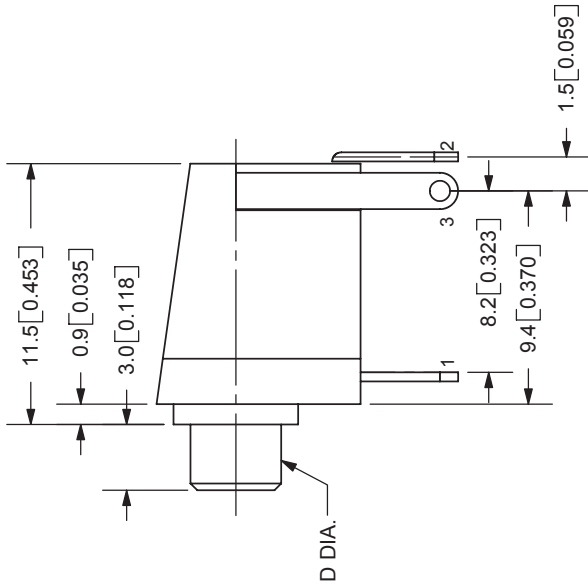


REV.	DESCRIPTION	DATE
A	NEW DRAWING	11/15/2005



TOLERANCE:
 X.X ±0.2mm
 X.XX ±0.1mm
 X.XXX ±0.05mm



20050 SW 112th Ave.
 Tualatin, OR 97062
 Phone: 503-643-4899
 800-275-4899
 Fax: 503-372-1266
 Website: www.cui.com

SPECIFICATIONS:
 RATING: 12V DC @ 1A
 CONTACT RESISTANCE: 30m OHMS MAX
 INSULATION RESISTANCE: 50M OHMS MIN; 100V DC
 VOLTAGE WITHSTAND: 500V AC R.M.S. FOR 1 MINUTE
 LIFE: 5,000 CYCLES
 OPERATING TEMP: -25° ~ +85°C

TITLE:	2.5mm AUDIO JACK-MONO	REV:	A
PART NO:	MJ-2508N	UNITS:	MM [INCHES]
DRAWN BY:	ZRJ	APPROVED BY:	
MATERIAL		PLATING	
BUSHING	Brass	Nickel	
TERMINAL 1	Brass	Tin	
TERMINAL 2	Copper Alloy	Tin	
TERMINAL 3	Brass	Tin	
HOUSING	PBT		

MODEL NO.	MJ-2508N
D DIA.	NON-THREAD Ø4.0
SCHEMATIC	