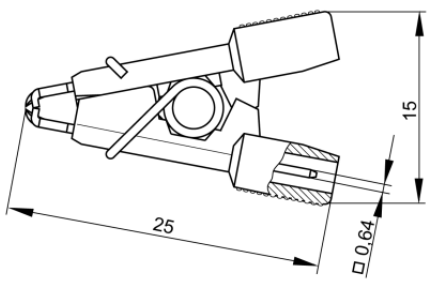


Crocodile clips

MICRO-SMD CLIP 1



Product	MICRO-SMD CLIP 1
description	Spring-loaded, two-pole test clip, specially designed for SMD components. Gold-plated, hardened tip for testing circuits, flat-nosed grips for individual components, notch for gripping thin wires. Balanced spring force permits testing of large and small components. 0.64mm pin connection and electrically insulated spring.
operating instruction	BA004
Articlenummer	972416100 Au
drawing	
	
technical data	
connection	pin Ø 0.64 mm
rated voltage ⁽¹⁾	30 VAC / 60 VDC
measurement cat. acc. to IEC 61010	O ⁽³⁾
rated current ⁽¹⁾ (consider derating curve)	1 A
material socket	copper - beryllium, gold plated
housing material	PBT
temperature range acc. To IEC61010 ⁽²⁾	-30 °C to +70 °C
inflammability class acc. to UL 94 (only valid for basic material of housing)	HB
clamping range	8 mm
standard	IEC 61010

0.64 mm system

⁽¹⁾ for normal environmental conditions -5°C to +40°C

⁽²⁾ contact the manufacturer for applications at deviating temperature ranges

⁽³⁾ without rated measurement category, for other circuits that are not directly connected to mains
stand: 19.06.2019