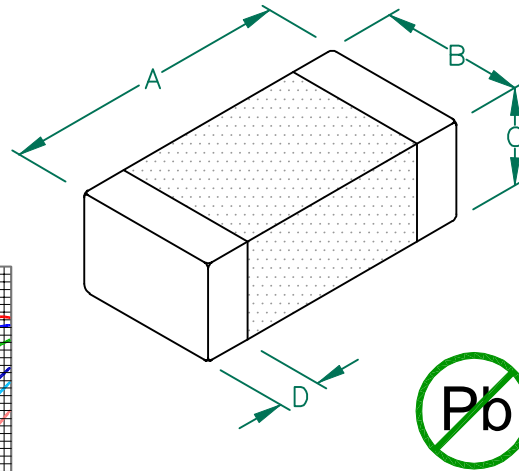


MI1206K900R-10

UNCONTROLLED DOCUMENT

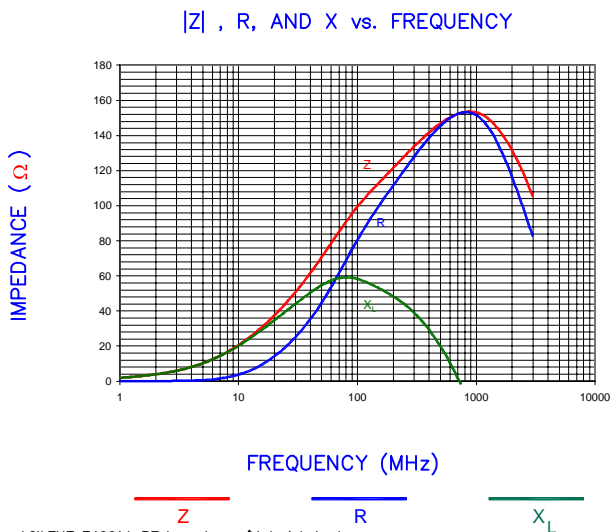
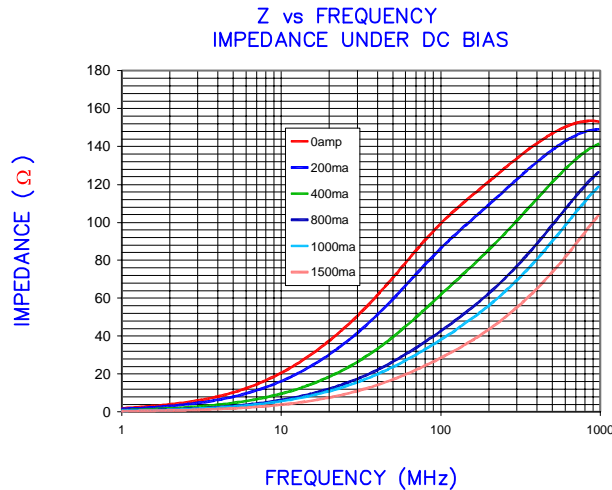
PHYSICAL DIMENSIONS:

A	3.20 [.126]	\pm 0.20 [.008]
B	1.60 [.063]	\pm 0.20 [.008]
C	1.10 [.043]	\pm 0.20 [.008]
D	0.51 [.020]	\pm 0.25 [.010]

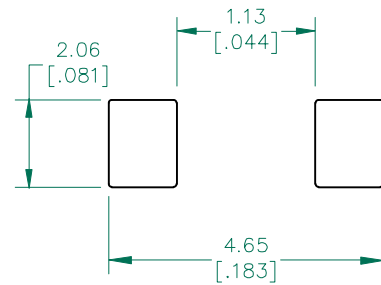


ELECTRICAL CHARACTERISTICS:			
Z @ 100MHz (Ω)	DCR (Ω)	Rated Current	
Nominal	90		
Minimum	68		
Maximum	113	0.080	1500 mA

- NOTES: UNLESS OTHERWISE SPECIFIED
1. TAPED AND REELED per CURRENT EIA SPECIFICATIONS 7" REELS, 3000 PCS/REEL.
 2. COMPONENTS SHOULD BE ADEQUATELY PREHEATED BEFORE SOLDERING.
 3. TERMINATION FINISH IS 100% TIN.

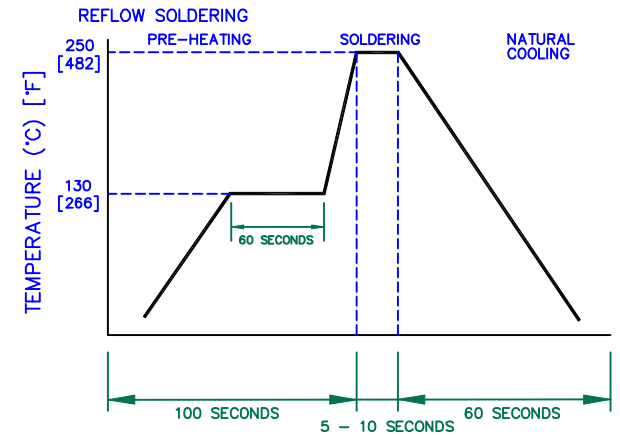


LAND PATTERNS FOR REFLOW SOLDERING



(For wave soldering, add 0.762 (0.030) to this dimension)

RECOMMENDED SOLDERING CONDITIONS



DIMENSIONS ARE IN mm [INCHES].

THIS DOCUMENT CONTAINS INFORMATION WHICH IS PROPRIETARY AND CONFIDENTIAL TO STEWARD. NO PRODUCTION OR PUBLICATION OF THIS DOCUMENT IN WHOLE OR IN PART SHALL BE MADE WITHOUT WRITTEN AUTHORIZATION FROM STEWARD.

Steward

PROJECT/PART NUMBER: MI1206K900R-10	REV A	PART TYPE: CO-FIRE	DRAWN BY: JRK
DATE: 06/02/04	SCALE: NTS	SHEET: 2 of 2	
CAD #	TOOL #		

REV	DESCRIPTION	DATE	INT
A	ORIGINAL DRAFT	06/02/04	JRK