

FEATURES

- UL 60950 recognised
- Efficiency to 89% (Typ.)
- Wide temperature performance at full 1 Watt load, -40°C to 85°C
- Industry standard pinout
- 3kVDC isolation (1 minute) 'Hi Pot Test'
- 5V, 12V, 15V, 24V & 48V inputs
- 5V, 9V, 12V & 15V outputs
- No external components required
- No electrolytic or tantalum capacitors
- Pin compatible with MEV3, NMK & NMV series

PRODUCT OVERVIEW

The MEV series is the new high performance version of our 1W NMV series. The MEV series is more efficient and offers improved regulation performance from 1.8% for applications where a wide output voltage variation can not be tolerated. They are ideally suited for providing local supplies on control system boards with the added benefit of 3kVDC galvanic isolation to reduce switching noise. The MEV series is currently available in an industry SIP 7 or DIP 14 package.

SELECTION GUIDE - SINGLE OUTPUT¹

Order Code	Nominal Input Voltage	Output Voltage	Output Current	Input Current at Rated Load	Load Regulation (Typ)	Load Regulation (Max)	Ripple & Noise (Typ) ²	Ripple & Noise (Max) ²	Efficiency (Min)	Efficiency (Typ)	Isolation Capacitance	MTTF ³	Package Style	Recommended Alternative
	V	V	mA	mA	%	%	mVp-p	mVp-p	%	%	pF	kHrs		
Recommended In Production														
MEV1S0505SC	5	5	200	233	5.4	6.2	20	30	81	84	38	7684	SIP	
MEV1S0509SC	5	9	111	227	4.2	5.5	12	20	83.5	86.5	42	7698	SIP	
MEV1S0512SC	5	12	84	226	4.6	5.5	10	20	84	87	40	7175	SIP	
MEV1S0515SC	5	15	67	225	4.5	5	8	15	85	87.5	39	6496	SIP	
MEV1S1205SC	12	5	200	98	4.5	5	12	15	80	84	28	7569	SIP	
MEV1S1209SC	12	9	111	96	3	3.3	8	15	83	86	50	7317	SIP	
MEV1S1212SC	12	12	84	94	3	3.6	7	15	85.5	88	70	6647	SIP	
MEV1S1505SC	15	5	200	79	4	5	10	20	80	83.5	32	7167	SIP	
MEV1S1515SC	15	15	67	76	2.5	3.5	6	15	85	89	87	5916	SIP	
MEV1S2405SC	24	5	200	50	3.3	5	12	20	79	84	38	7391	SIP	
MEV1S2409SC	24	9	111	48	2.2	3.5	8	20	81	86.5	56	6490	SIP	
MEV1S2412SC	24	12	84	48	2	3.5	7	15	82	87.5	72	6772	SIP	
MEV1S2415SC	24	15	67	48	1.8	3	7	15	82	87.5	83	5957	SIP	
In Production														
MEV1S0505DC	5	5	200	234	5.4	6.5	15	30	81	84	39	6884	DIP	
MEV1S0512DC	5	12	84	228	5.0	5.7	8	15	84	87	39	6153	DIP	
MEV1S1205DC	12	5	200	98	4.6	5.5	11	20	80	84	34	6644	DIP	
Discontinued														
MEV1S0509DC	5	9	111	228	4.2	5.5	9	20	83	86.5	40	6732	DIP	MEV1S0509SC
MEV1S0515DC	5	15	67	226	4.4	5.5	8	15	84	87.5	38	5419	DIP	MEV1S0515SC
MEV1S1209DC	12	9	111	96	3	3.5	8	15	82	86	50	6434	DIP	MEV1S1209SC
MEV1S1212DC	12	12	84	93	3.1	3.7	7	15	84	88	52	5653	DIP	MEV1S1212SC
MEV1S1215DC	12	15	67	94	2.5	3.3	6	15	83	88	60	5267	DIP	NMV1215SAC
MEV1S1515DC	12	15	67	94	2.5	2.9	7	15	83.5	88	59	6279	SIP	NMV1215SAC
MEV1S1505DC	15	5	200	79	4	5.2	11	25	79	83.5	32	6332	DIP	MEV1S1505SC
MEV1S1509DC	15	9	111	77	2.6	3.3	7	20	81	86.5	52	6114	DIP	Contact Murata
MEV1S1509SC	15	9	111	77	2.5	3.5	8	20	82.5	86.5	52	6906	SIP	Contact Murata
MEV1S1512DC	15	12	84	76	2.3	3	6	15	83	87.5	63	5767	DIP	Contact Murata
MEV1S1512SC	15	12	84	76	2.3	3.5	6	15	83.5	87.5	63	6523	SIP	Contact Murata
MEV1S1515DC	15	15	67	75	2.5	3.2	6	15	84	89	87	5002	DIP	MEV1S1515SC
MEV1S2405DC	24	5	200	50	3.4	4.5	16	30	79	84	38	6488	DIP	MEV1S2405SC
MEV1S2409DC	24	9	111	48	2.3	3.3	9	20	82	86.5	55	5693	DIP	MEV1S2409SC
MEV1S2412DC	24	12	84	48	2	3	7	15	83	87.5	73	5736	DIP	MEV1S2412SC
MEV1S2415DC	24	15	67	48	1.8	3	6	15	83	87.5	84	4915	DIP	MEV1S2415SC
MEV1S4805SC	48	5	200	26	3.3	5	19	35	75.5	79.5	34	7354	SIP	MER1S4805SC
MEV1S4809SC	48	9	111	25	2.4	3.5	13	25	78.5	82	54	7120	SIP	Contact Murata
MEV1S4812SC	48	12	84	26	2	3	10	20	78	82	63	7088	SIP	MER1S4812SC
MEV1S4815SC	48	15	67	26	1.9	3	9	20	79	82.5	74	7238	SIP	MER1S4815SC



For full details go to <https://www.murata.com/english/products/power/rohs>



1. For dual output variants, see page 2.
2. See Ripple & Noise characterisation method.
3. Calculated using MIL-HDBK-217F FN2 with nominal input voltage at full load.

All specifications typical at T_a=25°C, nominal input voltage and rated output current unless otherwise specified.

SELECTION GUIDE - DUAL OUTPUT ¹														
Order Code	Nominal Input Voltage	Output Voltage	Output Current	Input Current at Rated Load	Load Regulation (Typ)	Load Regulation (Max)	Ripple & Noise (Typ) ²	Ripple & Noise (Max) ²	Efficiency (Min)	Efficiency (Typ)	Isolation Capacitance	MTTF ³	Package Style	Recommended Alternative
	V	V	mA		%	%	mVp-p	mVp-p	%	%	pF	kHrs		
Recommended In Production														
MEV1D0505SC	5	±5	±100	233	5.1	6.5	14	35	82	85	42	4585	SIP	
MEV1D0512SC	5	±12	±42	228	4.2	5.4	9	25	85	87.5	38	4114	SIP	
MEV1D0515SC	5	±15	±33	225	4.0	5.2	9	25	85	88	38	3544	SIP	
MEV1D1205SC	12	±5	±100	98	3.8	4.5	13	35	81	85	33	4179	SIP	
MEV1D1212SC	12	±12	±42	93	2.7	3.4	8	20	85	89.5	64	3932	SIP	
MEV1D2409SC	24	±9	±56	47	1.9	2.7	12	35	83	86	52	4574	SIP	
MEV1D2412SC	24	±12	±42	47	1.8	2.7	10	30	85	88	78	4009	SIP	
MEV1D2415SC	24	±15	±33	47	1.5	2.4	9	25	84	88	81	3232	SIP	
MEV1D4805SC	48	±5	±100	26	2.6	3.3	21	50	77	80	32	4791	SIP	
MEV1D4809SC	48	±9	±56	25	1.6	2.4	14	40	80	83	54	3843	SIP	
In Production														
MEV1D2412DC	24	±12	±42	47	1.8	2.7	10	30	85	88	78	4009	DIP	
MEV1D2415DC	24	±15	±33	47	1.5	2.4	9	25	84	87.5	81	3232	DIP	
Discontinued														
MEV1D0505DC	5	±5	±100	233	5.1	6.5	14	35	82	85	42	4585	DIP	NMV0505DC
MEV1D0509DC	5	±9	±56	228	4.1	5.2	11	30	84	87	42	4565	DIP	NKA0509SC
MEV1D0509SC	5	±9	±56	228	4.1	5.2	11	30	84	87	42	4565	SIP	MEJ2S0509SC
MEV1D0512DC	5	±12	±42	228	4.2	5.4	9	25	85	87.5	38	4114	DIP	MEJ1D0512SC
MEV1D0515DC	5	±15	±33	225	4.0	5.2	9	25	85	88	38	3544	DIP	MEV1D0515SC
MEV1D1205DC	12	±5	±100	98	3.8	4.5	13	35	81	85	33	4179	DIP	MEV1D1205SC
MEV1D1209DC	12	±9	±56	95	2.7	3.5	10	25	83	87	53	4679	DIP	Contact Murata
MEV1D1209SC	12	±9	±56	95	2.7	3.5	10	25	83	87	53	4679	SIP	MEV1D0512SC
MEV1D1212DC	12	±12	±42	93	2.7	3.4	8	20	85	89.5	64	3932	DIP	MEV1D1212SC
MEV1D1215DC	12	±15	±33	94	2.2	3	7	20	85	88.5	74	3362	DIP	NMV1215DC
MEV1D1215SC	12	±15	±33	94	2.2	3	7	20	85	88.5	74	3362	SIP	NMV1215SC
MEV1D1505DC	15	±5	±100	78	3.3	4	14	35	81	84.5	33	4058	DIP	Contact Murata
MEV1D1505SC	15	±5	±100	78	3.3	4.0	14	35	81	84.5	33	4058	SIP	Contact Murata
MEV1D1509DC	15	±9	±56	76	2.2	2.9	10	30	83	87	47	4171	DIP	Contact Murata
MEV1D1509SC	15	±9	±56	76	2.2	2.9	10	30	83	87	47	4171	SIP	Contact Murata
MEV1D1512DC	15	±12	±42	76	2.1	3.0	8	25	84	88	67	3746	DIP	Contact Murata
MEV1D1512SC	15	±12	±42	76	2.1	3.0	8	25	84	88	67	3746	SIP	Contact Murata
MEV1D1515DC	15	±15	±33	75	2.3	3.0	7	20	87	90.5	112	3127	DIP	NMV1515SC
MEV1D1515SC	15	±15	±33	75	2.3	3.0	7	20	87	90.5	112	3127	SIP	NMV1515SC
MEV1D2405DC	24	±5	±100	49	2.9	4	13	35	81	84	36	4648	DIP	Contact Murata
MEV1D2405SC	24	±5	±100	49	2.9	4.0	13	35	81	84	36	4648	SIP	Contact Murata
MEV1D2409DC	24	±9	±56	47	1.9	2.7	12	35	83	86	52	4574	DIP	MEV1D2409SC
MEV1D4812SC	48	±12	±42	25	1.4	2.2	13	35	81	84	79	3301	SIP	Contact Murata
MEV1D4815SC	48	±15	±33	25	1.3	2.2	12	30	82	85	79	2977	SIP	Contact Murata

1. For single output variants, see page 1.
 2. See Ripple & Noise characterisation method.
 3. Calculated using MIL-HDBK-217F FN2 with nominal input voltage at full load.
 All specifications typical at T_a=25°C, nominal input voltage and rated output current unless otherwise specified.

INPUT CHARACTERISTICS					
Parameter	Conditions	Min.	Typ.	Max.	Units
Voltage range	Continuous operation, 5V input types	4.5	5	5.5	V
	Continuous operation, 12V input types	10.8	12	13.2	
	Continuous operation, 15V input types	13.5	15	16.5	
	Continuous operation, 24V input types	21.6	24	26.4	
	Continuous operation, 48V input types	43.2	48	52.8	
Reflected ripple current	5V input types		11	20	mA p-p
	12V input types		5	15	
	15V input types		3.5	10	
	24V input types		4.7	15	
	48V input types		22	50	

GENERAL CHARACTERISTICS					
Parameter	Conditions	Min.	Typ.	Max.	Units
Switching frequency - single output types	5V input types		60		kHz
	12V input types & MEV1Sx1515xC		75		
	24V input types & MEV1Sx1505SxC, MEV1Sx1509SxC, MEV1Sx1512SxC		85		
	48V input types		65		
Switching frequency - dual output types	MEV1D4812xC, MEV1D4815xC		55		kHz
	MEV1D05xxC, MEV1D1212xC, MEV1D1515xC, MEV1D4805xC, MEV1D4809xC		60		
	MEV1D1205xC, MEV1D2412xC		75		
	MEV1D1209xC, MEV1D1215xC, MEV1D1505xC, MEV1D1512xC, MEV1D2405xC, MEV1D2415xC		80		
	MEV1D1509xC, MEV1D2409xC		90		

OUTPUT CHARACTERISTICS					
Parameter	Conditions	Min.	Typ.	Max.	Units
Rated Power	T _A = -40°C to 85°C			1	W
Voltage Set Point Accuracy	See tolerance envelope				
Line regulation	High V _{IN} to low V _{IN}		1.05	1.1	%/%

ISOLATION CHARACTERISTICS					
Parameter	Conditions	Min.	Typ.	Max.	Units
Isolation test voltage	Flash tested for 1 minute	3000			VDC
Resistance	Viso = 1000VDC	10			GΩ

TEMPERATURE CHARACTERISTICS					
Parameter	Conditions	Min.	Typ.	Max.	Units
Specification	All output types, see safety approval section for UL temperature specification	-40		85	°C
Storage		-50		125	
Case Temperature above ambient	24V & 48V input types			20	
	All other types			15	
Cooling	Free air convection				

ABSOLUTE MAXIMUM RATINGS	
Lead temperature 1.5mm from case for 10 seconds	260°C
Wave Solder	Wave Solder profile not to exceed the profile recommended in IEC 61760-1 Section 6.1.3. Please refer to application notes for further information.
Input voltage V _{IN} , MEV05 types	7V
Input voltage V _{IN} , MEV12 types	15V
Input voltage V _{IN} , MEV15 types	18V
Input voltage V _{IN} , MEV24 types	28V
Input voltage V _{IN} , MEV48 types	54V

CHARACTERISATION TEST METHODS

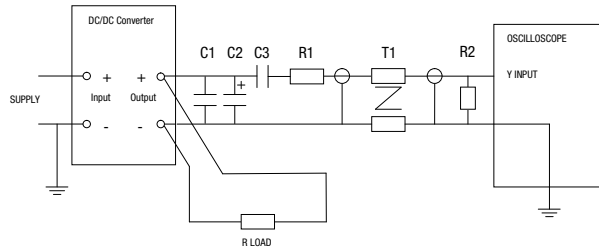
Ripple & Noise Characterisation Method

Ripple and noise measurements are performed with the following test configuration.

C1	1µF X7R multilayer ceramic capacitor, voltage rating to be a minimum of 3 times the output voltage of the DC-DC converter
C2	10µF tantalum capacitor, voltage rating to be a minimum of 1.5 times the output voltage of the DC-DC converter with an ESR of less than 100mΩ at 100 kHz
C3	100nF multilayer ceramic capacitor, general purpose
R1	450Ω resistor, carbon film, ±1% tolerance
R2	50Ω BNC termination
T1	3T of the coax cable through a ferrite toroid
RLOAD	Resistive load to the maximum power rating of the DC-DC converter. Connections should be made via twisted wires

Measured values are multiplied by 10 to obtain the specified values.

Differential Mode Noise Test Schematic



APPLICATION NOTES

Minimum load

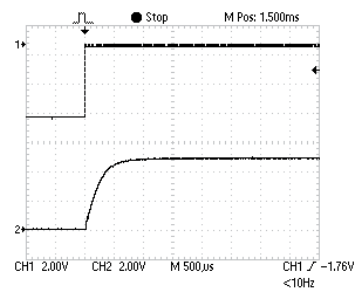
The minimum load to meet datasheet specification is 10% of the full rated load across the specified input voltage range. Lower than 10% minimum loading will result in an increase in output voltage, which may rise to typically double the specified output voltage if the output load falls to less than 5%.

Capacitive loading and start up

Typical start up times for this series, with a typical input voltage rise time of 2.2µs and output capacitance of 10µF, are shown in the table below. The product series will start into a capacitance of 47µF with an increased start time, however, the maximum recommended output capacitance is 10µF.

	Start-up time µs		Start-up time µs
MEV1x0505xC ¹	585	MEV1x1512xC	3045
MEV1x0509xC	1550	MEV1x1515xC	4445
MEV1x0512xC	2700	MEV1x2405xC	440
MEV1x0515xC	4320	MEV1x2409xC	4355
MEV1x1205xC	605	MEV1x2412xC	1855
MEV1x1209xC	1750	MEV1x2415xC	2930
MEV1x1212xC ¹	3000	MEV1x4805SC	580
MEV1x1215xC	4800	MEV1x4809SC	1320
MEV1x1505xC	660	MEV1x4812SC	2075
MEV1x1509xC	1720	MEV1x4815SC	3235

Typical Start-Up Wave Form



1. The MEV1S0505SC and MEV1S1212SC have been tested to 220µF and will operate within datasheet specifications with an increased start up time, please contact Murata for information about other variants.

APPLICATION NOTES (Continued)

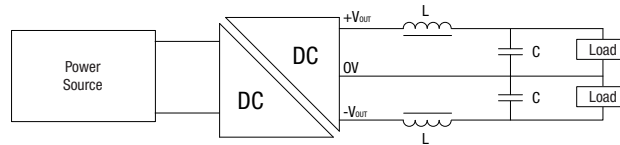
Output Ripple Reduction

By using the values of inductance and capacitance stated, the output ripple at the rated load is lowered to 5mV p-p max.

Component selection

Capacitor: It is required that the ESR (Equivalent Series Resistance) should be as low as possible, ceramic types are recommended. The voltage rating should be at least twice (except for 15V output), the rated output voltage of the DC-DC converter.

Inductor: The rated current of the inductor should not be less than that of the output of the DC-DC converter. At the rated current, the DC resistance of the inductor should be such that the voltage drop across the inductor is <2% of the rated voltage of the DC-DC converter. The SRF (Self Resonant Frequency) should be >20MHz.

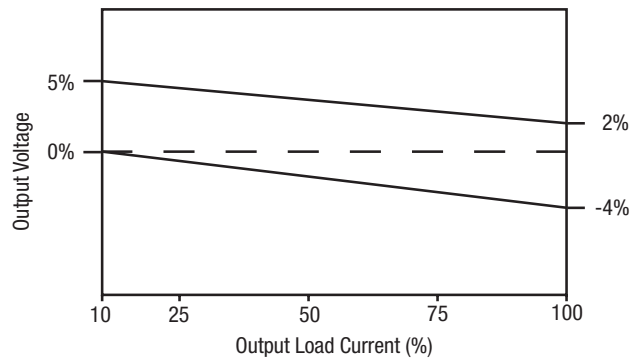


	Inductor			Capacitor
	L, μ H	SMD	Through Hole	C, μ F
MEV1x0505xC	10	82103C	11R103C	4.7
MEV1x0509xC	22	82223C	11R223C	2.2
MEV1x0512xC	47	82473C	11R473C	1
MEV1x0515xC	47	82473C	11R473C	1
MEV1x1205xC	10	82103C	11R103C	4.7
MEV1x1209xC	22	82223C	11R223C	2.2
MEV1x1212xC	47	82473C	11R473C	1
MEV1x1215xC	47	82473C	11R473C	1
MEV1x1505xC	10	82103C	11R103C	4.7
MEV1x1509xC	22	82223C	11R223C	2.2
MEV1x1512xC	47	82473C	11R473C	1
MEV1x1515xC	47	82473C	11R473C	1
MEV1x2405xC	10	82103C	11R103C	4.7
MEV1x2409xC	22	82223C	11R223C	2.2
MEV1x2412xC	47	82473C	11R473C	1
MEV1x2415xC	47	82473C	11R473C	1
MEV1x4805SC	10	82103C	11R103C	4.7
MEV1x4809SC	22	82223C	11R223C	2.2
MEV1x4812SC	47	82473C	11R473C	1
MEV1x4815SC	47	82473C	11R473C	1

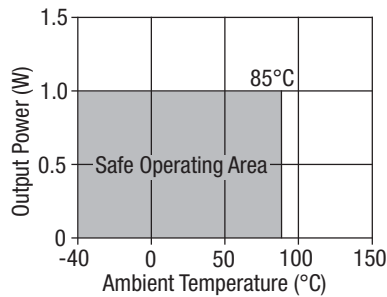
TOLERANCE ENVELOPES

The voltage tolerance envelope shows typical load regulation characteristics for this product series. The tolerance envelope is the maximum output voltage variation due to changes in output loading.

All versions

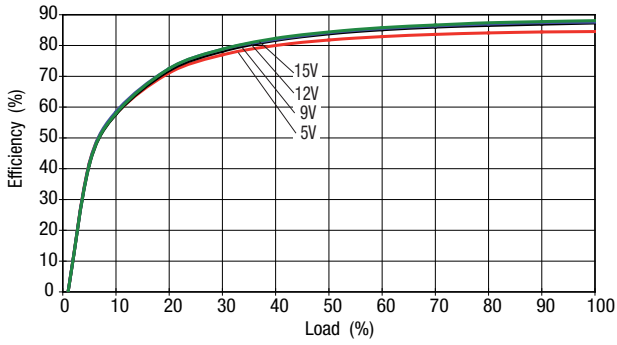


TEMPERATURE DERATING GRAPH

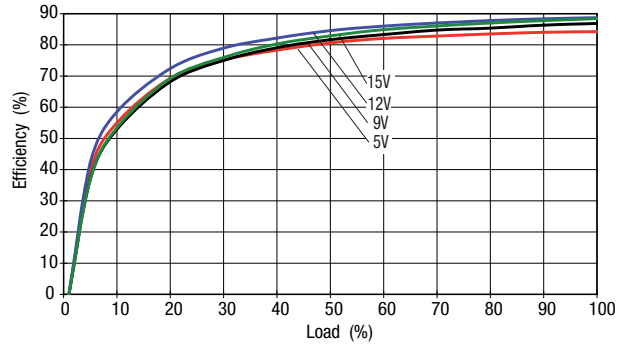


EFFICIENCY VS LOAD

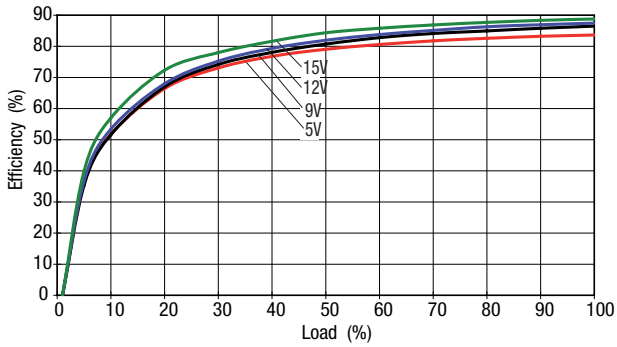
MEV1x05xxSC



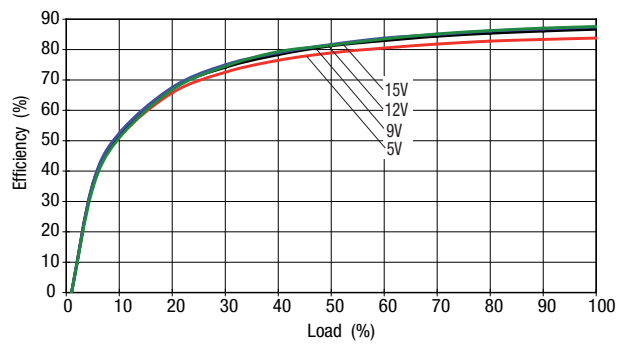
MEV1x12xxSC



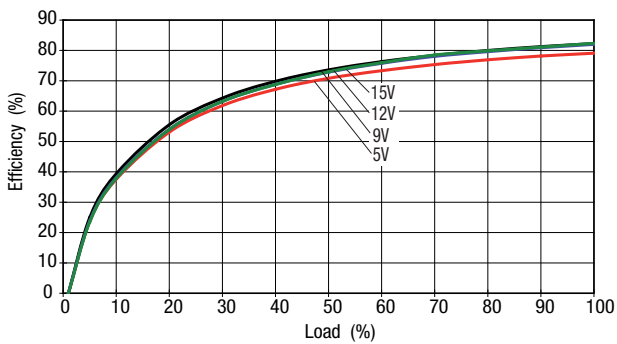
MEV1x15xxSC



MEV1x24xxSC

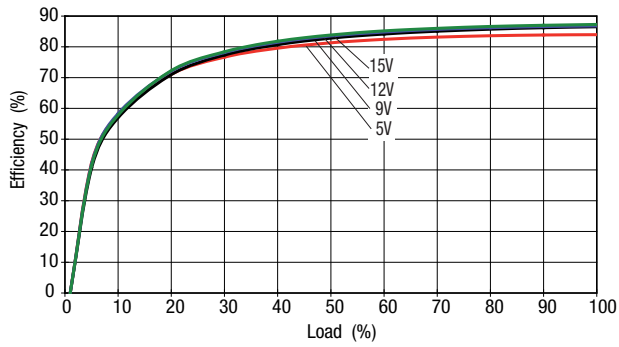


MEV1x48xxSC

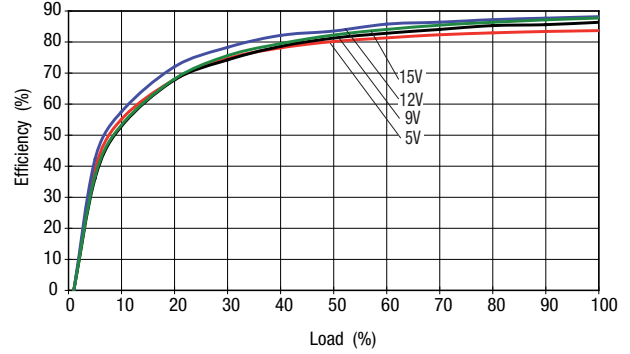


EFFICIENCY VS LOAD (Continued)

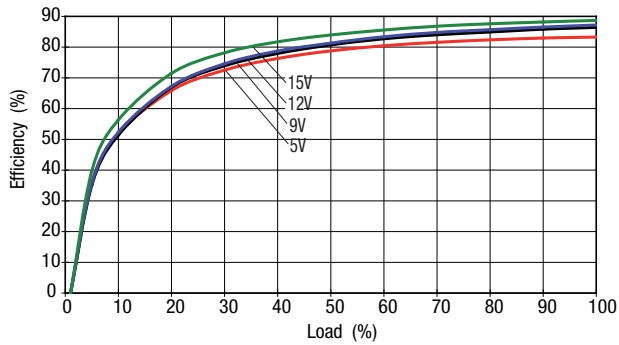
MEV1x05xxDC



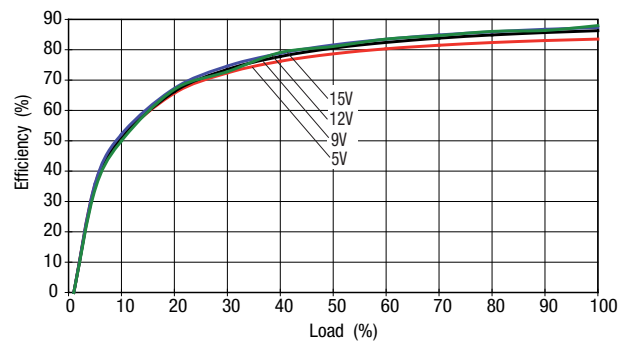
MEV1x12xxDC



MEV1x15xxDC



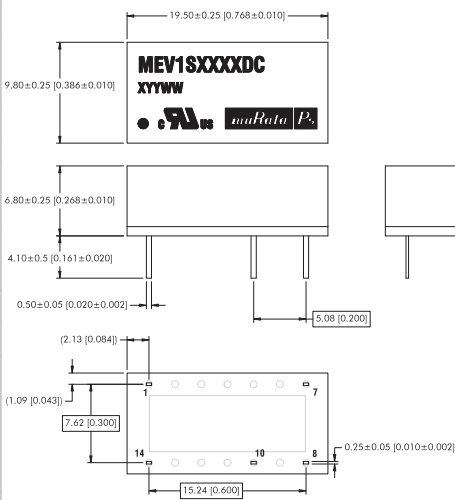
MEV1x24xxDC



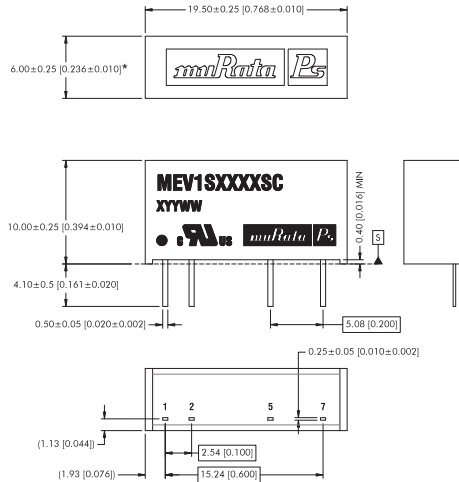
PACKAGE SPECIFICATIONS

MECHANICAL DIMENSIONS - SINGLE

DIP package



SIP package



*48V input variants 7.65 (0.301) MAX

All dimensions in mm (inches). Controlling dimensions in mm.

SIP: All pins on a 2.54 (0.100) pitch and within ±0.1 (0.004) of true position from pin 1 at seating plane 'S'.

DIP: All pins on a 2.54 (0.100) pitch and within ±0.1 (0.004) of true position.

For SIP products, excluding MEV1S48XXSC, from date code D2224 onwards, products have an embossed logo on the top of the case. Prior to this date, SIP products have a flat surface finish.

Weight:
2.6g (DIP)
2.8g (SIP - 48V variants)
2.5g (all other SIP)

PIN CONNECTIONS - 14 PIN DIP

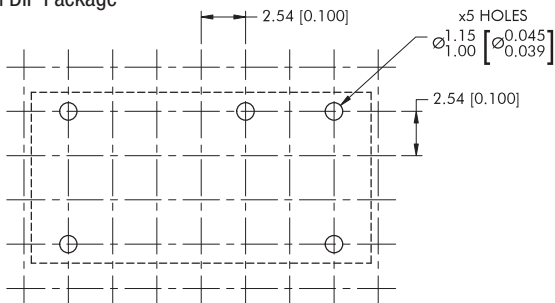
Pin	Function
1	-VIN
7	NC
8	+VOUT
10	-VOUT
14	+VIN

PIN CONNECTIONS - 7 PIN SIP

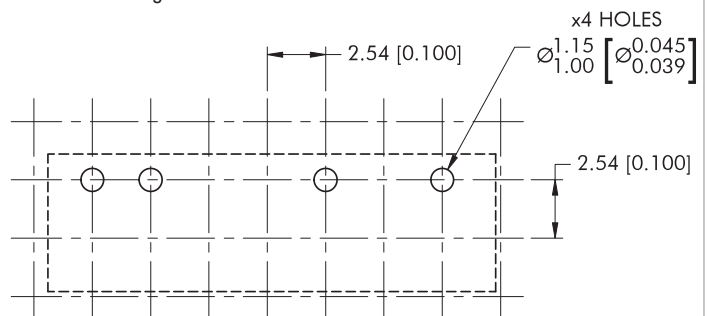
Pin	Function
1	+VIN
2	-VIN
5	-VOUT
7	+VOUT

RECOMMENDED FOOTPRINT DETAILS

14 Pin DIP Package



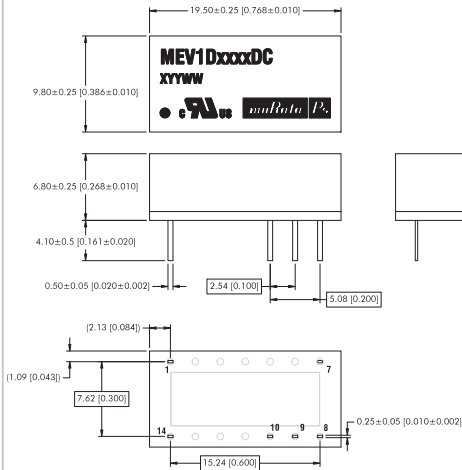
7 Pin SIP Package



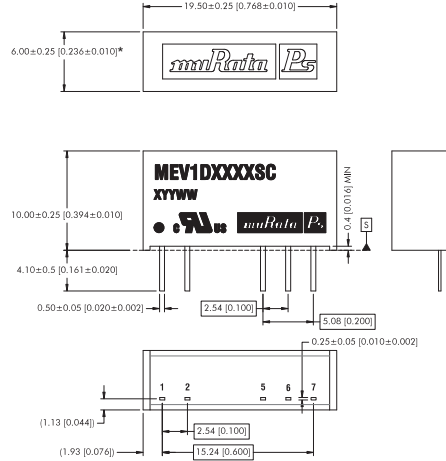
PACKAGE SPECIFICATIONS

MECHANICAL DIMENSIONS - DUAL

DIP package



SIP package



*48V input variants 7.65 (0.301) MAX
 All dimensions in mm (inches). Controlling dimensions in mm.
 SIP: All pins on a 2.54 (0.100) pitch and within ±0.1 (0.004) of true position from pin 1 at seating plane 'S'.
 DIP: All pins on a 2.54 (0.100) pitch and within ±0.1 (0.004) of true position.
 For SIP products, from date code D2224 onwards, products have an embossed logo on the top of the case.
 Prior to this date, SIP products have a flat surface finish.

Weight:
 2.6g (DIP)
 2.8g (SIP - 48V variants)
 2.5g (all other SIP)

PIN CONNECTIONS - 14 PIN DIP

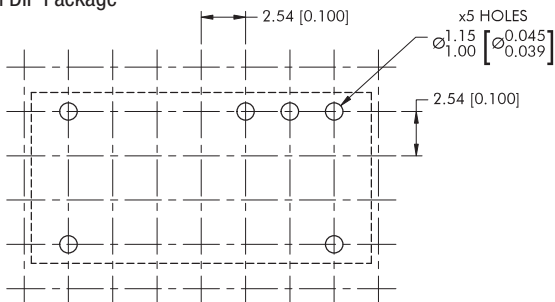
Pin	Function
1	-VIN
7	NC
8	+VOUT
9	0V
10	-VOUT
14	+VIN

PIN CONNECTIONS - 7 PIN SIP

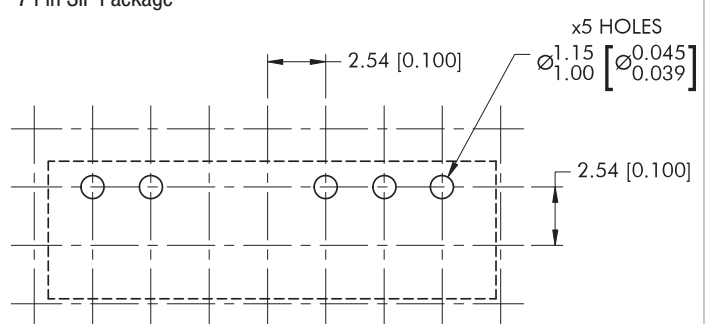
Pin	Function
1	+VIN
2	-VIN
5	-VOUT
6	0V
7	+VOUT

RECOMMENDED FOOTPRINT DETAILS

14 Pin DIP Package



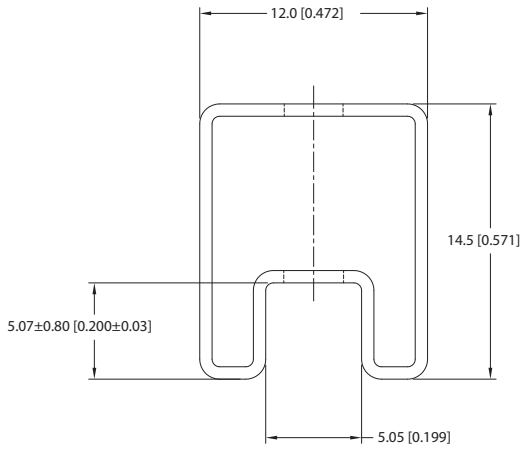
7 Pin SIP Package



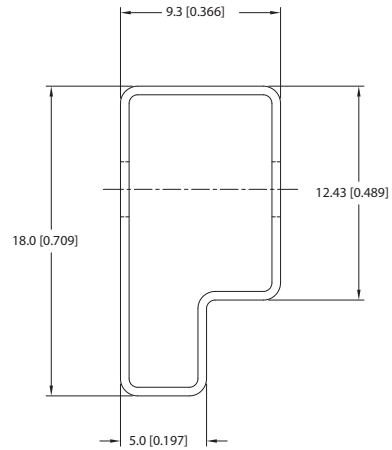
PACKAGE SPECIFICATIONS (Continued)

TUBE OUTLINE DIMENSIONS

14 Pin DIP Tube



7 Pin SIP Tube



Unless otherwise specified all dimensions in mm [inches] ±0.55mm [0.022].
 Tube length (14 Pin DIP) : 520mm [20.472] ±2.0 [0.079].
 Tube length (7 Pin SIP) : 520mm [20.472] ±2.0 [0.079].

Tube Quantity : 25

DISCLAIMER

Unless otherwise stated in the datasheet, all products are designed for standard commercial and industrial applications and NOT for safety-critical and/or life-critical applications.

Particularly for safety-critical and/or life-critical applications, i.e. applications that may directly endanger or cause the loss of life, inflict bodily harm and/or loss or severe damage to equipment/property, and severely harm the environment, a prior explicit written approval from Murata is strictly required. Any use of Murata standard products for any safety-critical, life-critical or any related applications without any prior explicit written approval from Murata shall be deemed unauthorised use.

These applications include but are not limited to:

- Aircraft equipment
- Aerospace equipment
- Undersea equipment
- Power plant control equipment
- Medical equipment
- Transportation equipment (automobiles, trains, ships, etc.)
- Traffic signal equipment
- Disaster prevention / crime prevention equipment
- Data Processing equipment

Murata makes no express or implied warranty, representation, or guarantee of suitability, fitness for any particular use/purpose and/or compatibility with any application or device of the buyer, nor does Murata assume any liability whatsoever arising out of unauthorised use of any Murata product for the application of the buyer. The suitability, fitness for any particular use/purpose and/or compatibility of Murata product with any application or device of the buyer remain to be the responsibility and liability of the buyer.

Buyer represents and agrees that it has all the necessary expertise to create and implement safeguards that anticipate dangerous consequences of failures, monitor failures and their consequences, lessen the likelihood of failures that might cause harm, and take appropriate remedial actions. Buyer will fully indemnify and hold Murata, its affiliated companies, and its representatives harmless against any damages arising out of unauthorised use of any Murata products in any safety-critical and/or life-critical applications.

Remark: Murata in this section refers to Murata Manufacturing Company and its affiliated companies worldwide including, but not limited to, Murata Power Solutions.



This product is subject to the following [operating requirements](https://www.murata.com/en-eu/products/power/requirements) and the [Life and Safety Critical Application Sales Policy](https://www.murata.com/en-eu/products/power/requirements):

Refer to: <https://www.murata.com/en-eu/products/power/requirements>

Murata Power Solutions (Milton Keynes) Ltd. makes no representation that the use of its products in the circuits described herein, or the use of other technical information contained herein, will not infringe upon existing or future patent rights. The descriptions contained herein do not imply the granting of licenses to make, use, or sell equipment constructed in accordance therewith. Specifications are subject to change without notice.

© 2024 Murata Power Solutions (Milton Keynes) Ltd.