

MEC2-05-01-L-DV-WT



MEC2-DV SERIES

(2.00 mm) .0787"

VERTICAL MICRO EDGE CARD SOCKET

SPECIFICATIONS

For complete specifications and recommended PCB layouts see www.samtec.com?MEC2-DV

Insulator Material:

-01=Black Liquid Crystal Polymer
-02=Natural Liquid Crystal Polymer

Contact Material:

BeCu

Plating:

Sn or Au over 50 μ" (1.27 μm) Ni

Operating Temp Range:

-55 °C to +125 °C

Current Rating:

3.5 A per pin (2 adjacent pins powered)

Voltage Rating:

238 VAC

RoHS Compliant:

Yes

Mates with:

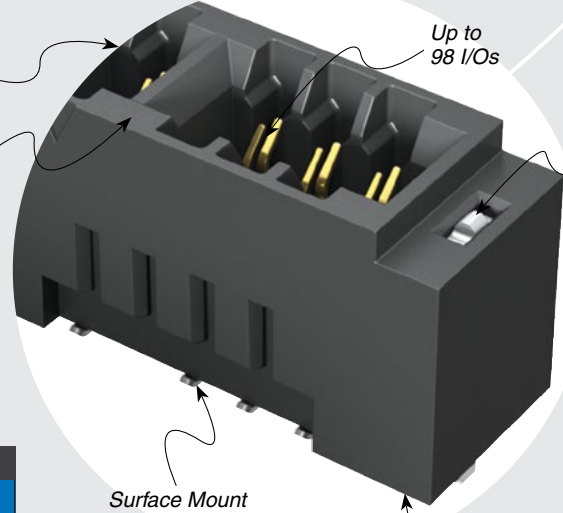
(1.60 mm) .062" card,
(2.36 mm) .093" card

Choice of two card thicknesses

Up to 98 I/Os

Rugged Weld Tab option

Polarized



Surface Mount

Alignment Pins

HIGH-SPEED CHANNEL PERFORMANCE

MEC2-DV

Rating based on Samtec reference channel. For full SI performance data visit Samtec.com or contact SIG@samtec.com

14
Gbps

PROCESSING

Lead-Free Solderable:

Yes

SMT Lead Coplanarity:

(0.10 mm) .004" max (05-30)
(0.15 mm) .006" max (40-50)

RECOGNITIONS

For complete scope of recognitions see www.samtec.com/quality



FILE NO. E111594

ALSO AVAILABLE (MOQ Required)

- Non-polarized
 - Other platings
- Contact Samtec.



-05, -08, -20, -30, -40, -50

-01
= (1.60 mm) .062" thick card
-02
= (2.36 mm) .093" thick card

-L
= 10 μ" (0.25 μm) Gold on contact, Matte Tin on tail

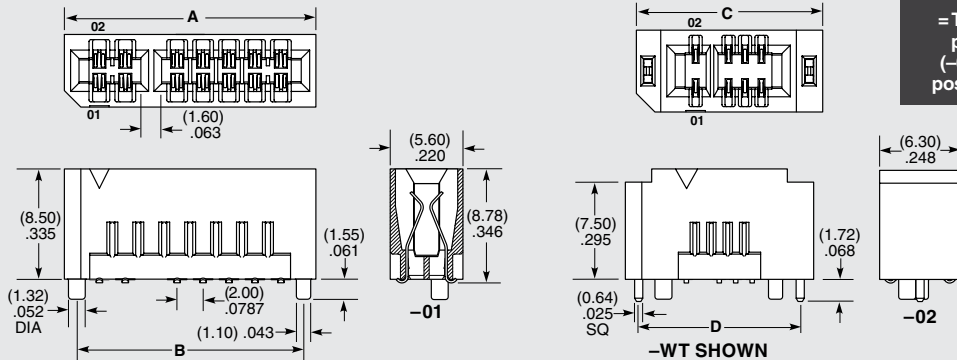
-WT
= Weld Tabs (Standard on -02 card thickness, optional on -01 card thickness)

-K
= (5.00 mm) .197" DIA (-01 card thickness)
(5.70 mm) .224" DIA (-02 card thickness)
Polyimide film pick & place pad (-TR only)

-TR
= Tape & Reel packaging (-05 thru -30 positions only)

POSITIONS PER ROW	A	B	C	D
-05	(13.40) .528	(11.50) .453	(17.40) .685	(15.40) .606
-08	(19.40) .764	(17.50) .689	(23.40) .921	(21.40) .843
-20	(43.40) 1.709	(41.50) 1.634	(47.40) 1.866	(45.40) 1.787
-30	(63.40) 2.496	(61.50) 2.421	(67.40) 2.654	(65.40) 2.575
-40	(83.40) 3.283	(81.50) 3.209	(87.40) 3.441	(85.40) 3.362
-50	(103.40) 4.071	(101.50) 3.996	(107.40) 4.228	(105.40) 4.150

POSITIONS PER ROW	POLARIZED POSITIONS (No Contact)
-05	3, 4
-08	5, 6
-20	15, 16
-30	21, 22
-40	31, 32
-50	41, 42



Notes:

While optimized for 50 Ω applications, this connector with alternative signal/ground patterns may also perform well in certain 75 Ω applications. Contact Samtec for further information.

Some sizes, styles and options are non-standard, non-returnable.

Due to technical progress, all designs, specifications and components are subject to change without notice.

WWW.SAMTEC.COM

All parts within this catalog are built to Samtec's specifications. Customer specific requirements must be approved by Samtec and identified in a Samtec customer-specific drawing to apply.