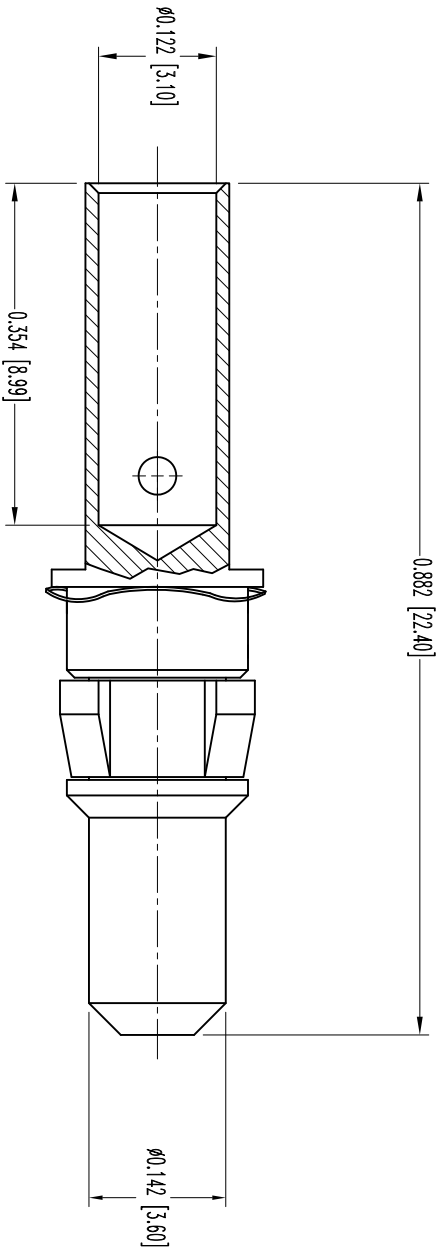


THIS DRAWING CONTAINS INFORMATION PROPRIETARY TO POSITRONIC AND ITS SUBSIDIARIES. POSITRONIC BELIEVES THE DATA ON THIS DRAWING TO BE RELIABLE. SINCE THE TECHNICAL DRAWING IS GIVEN AS A GUIDE, POSITRONIC ASSUMES NO RESPONSIBILITY FOR DAMAGE TO PROPERTY OR PERSONAL INJURY RESULTING FROM THE USE OF SUCH INFORMATION IN WHOLE OR IN PART.




NOTES:

1. MATERIALS AND FINISHES:  
CONTACT: PRECISION MACHINED COPPER ALLOY, GOLD FLASH OVER NICKEL PLATE.  
RETENTION RING: BERYLLIUM COPPER, NICKEL PLATE.  
SPRING WASHER: BERYLLIUM COPPER, GOLD FLASH OVER NICKEL PLATE.
2. DETAILED PRODUCT, ELECTRICAL, AND MECHANICAL INFORMATION IS AVAILABLE IN THE LATEST STANDARD DENSITY COMBO-D PRODUCT PUBLICATION.  
VISIT [CONNECTPOSITRONIC.COM/PRODUCTS/1/STANDARDENSITYCOMBO-D](http://CONNECTPOSITRONIC.COM/PRODUCTS/1/STANDARDENSITYCOMBO-D)  
OR [CONNECTPOSITRONIC.COM](http://CONNECTPOSITRONIC.COM).
3. CONTACTS ARE ROHS COMPLIANT PER ROHS DIRECTIVE 2002/95/EC OF 27 JAN 2003.
4. DIMENSIONS ARE IN INCHES [MILLIMETERS].

| DATE     | REV | REVISION RECORD | APP  | DR | CK   |
|----------|-----|-----------------|------|----|------|
| 11-29-05 | NC  | ECO 25113       | RW   | YK | COLM |
| 3-29-10  | A   | ECO 32302       | TK   | BE | TK   |
| 11-8-11  | B   | ECO 34707       | COLM | BE | COLM |

SK6757

|  |  |                   |                        |                                 |  |
|--|--|-------------------|------------------------|---------------------------------|--|
| <br><b>POSITRONIC INDUSTRIES INC.</b><br><a href="http://www.connectpositronic.com">www.connectpositronic.com</a> |  | <b>CBD SERIES</b> |                        | <b>FSCM 28198</b>               |  |
|  |  | SCALE: N.T.S.     |                        | DRAWN BY: YK<br>APPROVED BY: RW |  |
| DECIMAL TOL. ± 0.015 [0.38]  |  | TITLE: MC4010D/AA |                        |                                 |  |
| ANGULAR TOL. ± 5°  |  | DATE: 11-29-05    | DRAWING NUMBER: SK6757 | REV. B                          |  |