



SPC
TECHNOLOGY

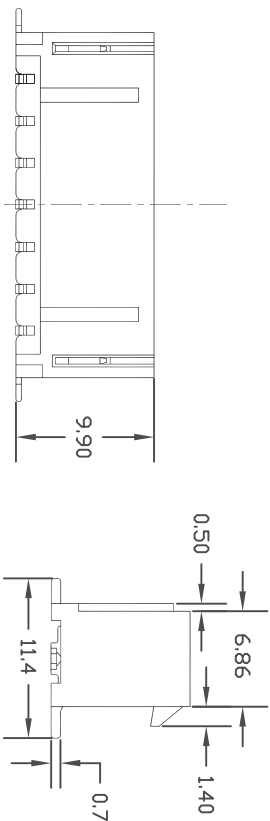
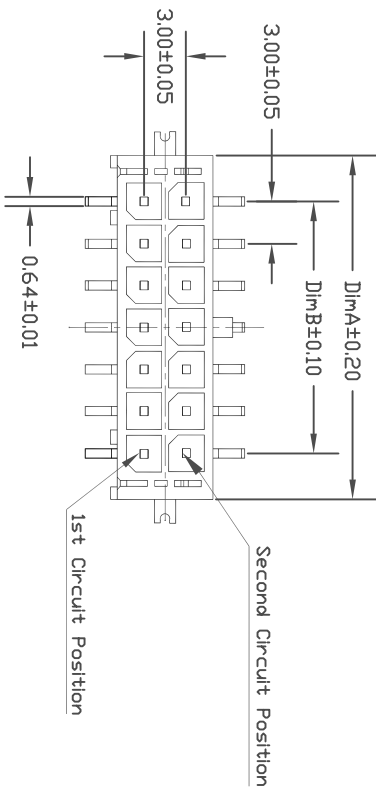
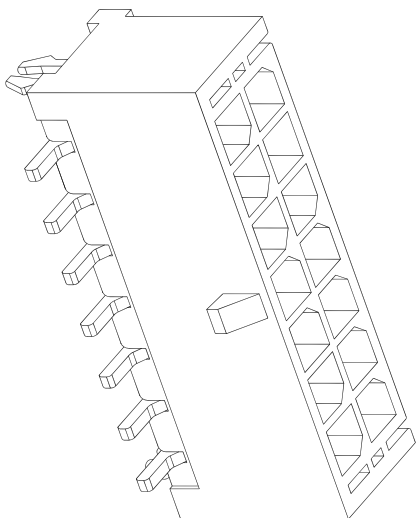
ALL RIGHTS RESERVED. NO PORTION OF THIS PUBLICATION, WHETHER IN WHOLE OR IN PART CAN BE REPRODUCED WITHOUT THE EXPRESS WRITTEN CONSENT OF SPC TECHNOLOGY.

SPC-F005.DWG

REVISIONS

DCP #	REV	DESCRIPTION	DRAWN	DATE	CHECKD	DATE	APPRVI	DATE
XX	XX	XXXX	XXXX	06-10-08	XXXX	06-10-08	XXXX	06-10-08
XXXX	XXXX		XXXX	06-10-08	XXXX	06-10-08	XXXX	06-10-08

DOC. NO. SPC-F005 * Effective: 7/8/02 * DCP No: 1398



Specifications

- Current Rating : 5.0A AC/DC
- Voltage Rating : 250V AC/DC
- Contact Resistance : 10m ohm, max.
- Insulation Resistance : 1000M ohm, Min.
- Withstanding Voltage : 1500V AC for one minute
- Operating Temperature Range : -25°C to +105°C

Material and Finish

- Wafer Insulator : High Tempe Plastic(UL 94V-0)
- Contact Pin : Copper Alloy Tin Plated

Connection

5561S-XXT-SM(SM1) Mates With 5560-XX

Engineering Dimension

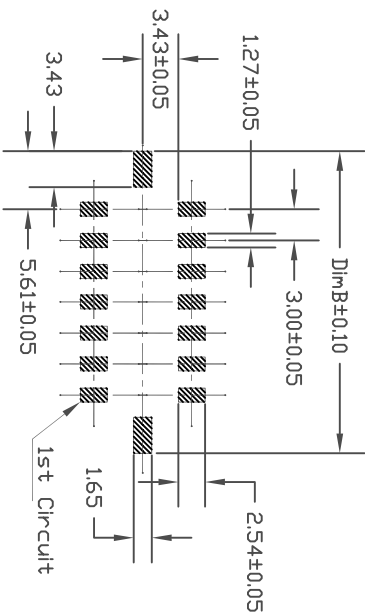
Positions	Dim A, Dim B.
8	15.70 9.00

Ordering Information

5561S-08 T-SM1

① S: Straight Type	② No. Of Positions
③ T: Tin Plated	④ SM1: With Metal Tab Type

Recommended PCB Layout



TOLERANCES:

UNLESS OTHERWISE SPECIFIED, DIMENSIONS ARE FOR REFERENCE PURPOSES ONLY.

DRAWN BY:

XXXX

DATE:

06-10-08

CHECKED BY:

XXXX

DATE:

06-10-08

APPROVED BY:

XXXX

DATE:

06-10-08

SCALE:

NTS

U.D.M.:

INCHES [mm]

SHEET:

1 OF 1

DRAWING TITLE:

PC Board

SIZE

DWG. NO. 2261(5561)S-08T-SM1

ELECTRONIC FILE

02N4664

REV

XX

DISCLAIMER:

ALL STATEMENTS AND TECHNICAL INFORMATION CONTAINED HEREIN ARE BASED UPON INFORMATION AND/OR TESTS WE BELIEVE TO BE ACCURATE AND RELIABLE. SINCE CONDITIONS OF USE ARE BEYOND OUR CONTROL, THE USER SHALL DETERMINE THE SUITABILITY OF THE PRODUCT FOR THE INTENDED USE AND ASSUME ALL RISK AND LIABILITY WHATSOEVER IN CONNECTION THEREWITH.