

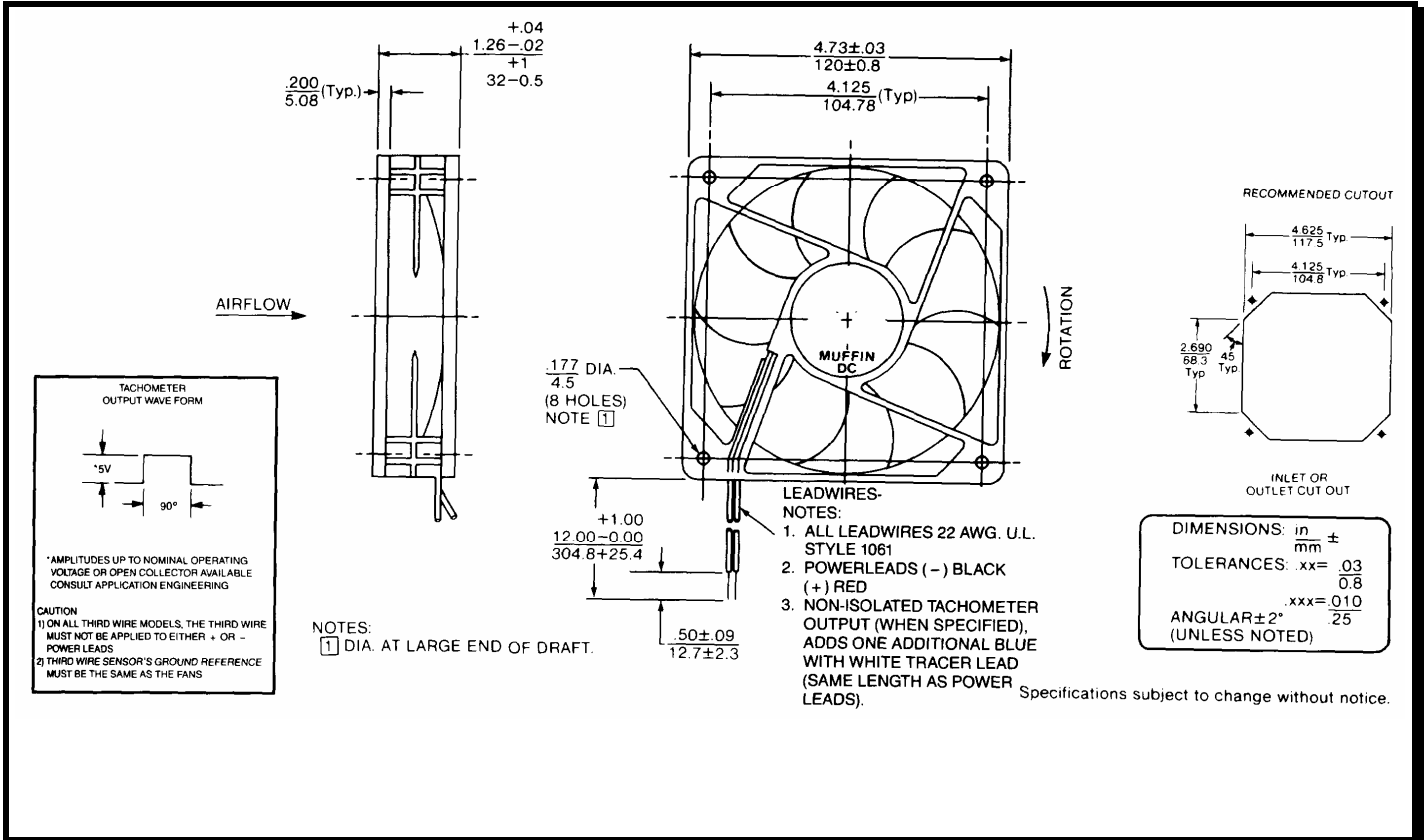
# SPECIFICATIONS



**Model Number:** MC24B3  
**Part Number:** 030572

August 8, 2005

## Mechanical Drawing:



### Motor:

Nominal Voltage = 24 vdc  
 Operating Voltage Range = 12 - 28 vdc  
 Nominal Running Current = 0.230 amps  
 Locked Rotor Current = 0.830 amps  
 Running Power = 5.50 watts  
 Average Speed = 3700  
 Bearings = Ball  
 Air Flow = 102 cfm  
 Acoustic = 47.8 dBA

### Construction:

Venturi: Plastic, Black, UL 94V-0  
 Propeller: Plastic, Black, UL 94V-0

### Life Expectancy:

This fan is designed for continuous duty life of 78,000 hours at 40°C.

### Additional Features:

Brushless DC Motor  
 Polarity Protected.  
 Locked Rotor Protection.  
 Automatic Restart Capability  
 Operating Temperature: -10°C to 70°C  
 Storage Temperature: -40°C to 85°C

### Termination:

12" Lead wires, 22 AWG, UL 1061  
 Red = Power (+)  
 Black = Return (-)

### Agency Approvals:

UL, CSA, TUV