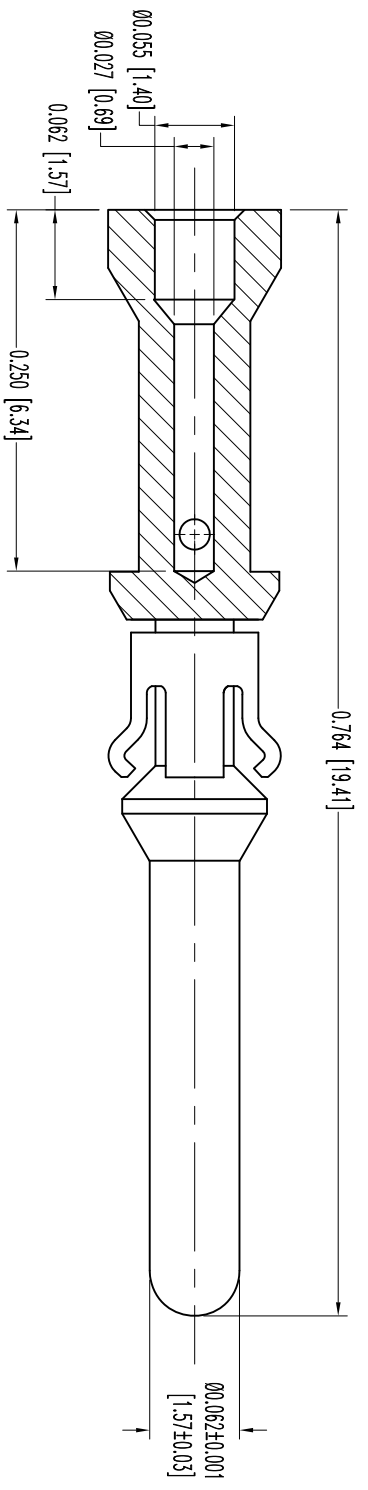



THIS DRAWING CONTAINS INFORMATION PROPRIETARY TO POSITRONIC AND IS SUBJECT TO THE TERMS AND CONDITIONS OF THE LICENSE AGREEMENT. THE USER SHALL BE RESPONSIBLE FOR OBTAINING ALL NECESSARY TECHNICAL INFORMATION IN GIVEN FREE OF CHARGE. THE USER SHALL BE RESPONSIBLE FOR OBTAINING ALL NECESSARY RESULTS OBTAINED OR DAMAGES INCURRED FROM USE OF SUCH INFORMATION IN WHOLE OR IN PART.



- NOTES:
1. MATERIALS AND FINISHES:  
CONTACTS: COPPER ALLOY, GOLD FLASH OVER NICKEL PLATE.  
SPRING CLIP: BERYLLIUM COPPER, GOLD FLASH OVER NICKEL PLATE.
  2. DETAILED PRODUCT, MECHANICAL, AND ELECTRICAL INFORMATION IS AVAILABLE IN THE LATEST STANDARD DENSITY RECTANGULAR PRODUCT PUBLICATION. VISIT [CONNECTPOSTRONIC.COM](http://CONNECTPOSTRONIC.COM/PRODUCTS/53/STANDARDENSITYRECTANGULAR).
  3. CONTACTS ARE ROHS COMPLIANT PER ROHS DIRECTIVE 2002/95/EC OF 27 JAN 2003.
  4. DIMENSIONS ARE IN INCHES [MILLIMETERS].

DATE	REV	REVISION RECORD	APP	DR	OK
2-10-06	NC	ECO 25488	RW	YK	COLL
2-23-12	A	ECO 35260	COLL	MP	COLL

SK7039

 <p><b>POSITRONIC INDUSTRIES INC.</b> www.connectpositronic.com</p>		SCALE		DRAWN BY	
		N.T.S.		YK	
DATE		DRAWING NUMBER		REV.	
2-10-06		SK7039		A	
TITLE		APPROVED BY		FSCM 28198	
GMCT SERIES		R. WILLIAMS			
DECIMAL TOL.					
± 0.015 [0.38]					
ANGULAR TOL.					
± 5°					