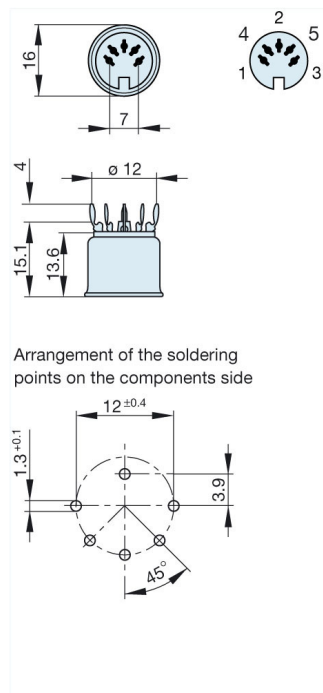




MAB 5 SV

Industrial Connectors:Connectors for audio, video and data:Miniature multipole connectors:without locking screw:Panel-mounted sockets

Delivery informations	
Availability	available
Document created at	08.09.2009
Product description	
Type	MAB 5 SV
Order No.	930 777-200
Type of contact	female
Description	panel-mounted socket for PCBs; plug-in direction parallel to the PCB
Number of contacts	5
Conductor size	$\leq 0.34 \text{ mm}^2$
Drawing	



Technical data	
LF output "Phone"	EN 60 130-09
Pole arrangement DIN	DIN 41 524
Rated current	4 A
Rated voltage	AC/DC 34 V
Type of termination	solder
Material	
Contact material (socket)	brass
Contact surface material	tin plated

Contact bearer material	PA 66/UL standard 94V-2
Housing material	steel, nickel-plated
Environmental conditions	
Protection class (IEC 60529)	IP 30
Temperature range	-20 °C to +60 °C