

Customer Information Sheet

DRAWING No.: M80F001S

SHEET 2 OF 2

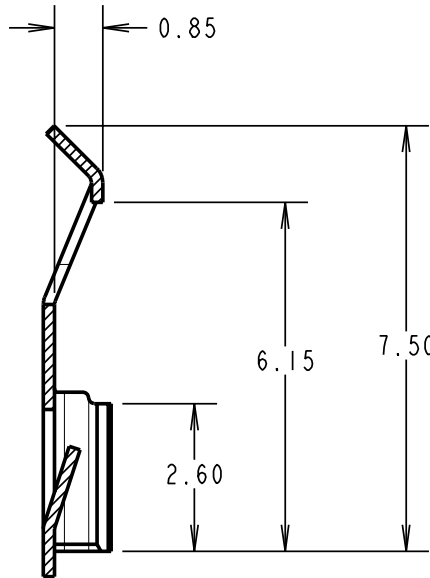
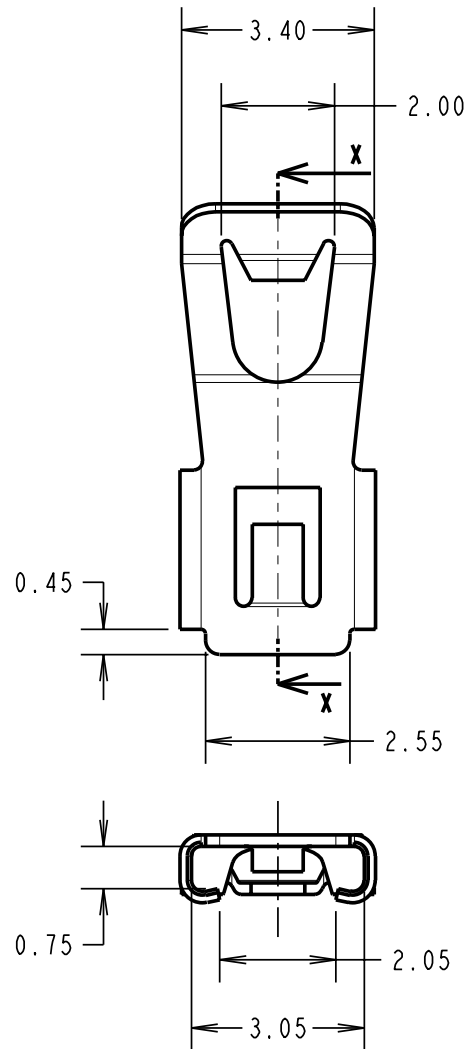
IF IN DOUBT - ASK

©

NOT TO SCALE

THIRD ANGLE PROJECTION

ALL DIMENSIONS IN mm



SECTION X-X

NOTES:

- SUITABLE FOR USE WITH ANY MALE CONNECTOR IN THE M80 (DATAMATE) SERIES.
- SUPPLIED IN PACKS OF 10.

SPECIFICATIONS:

MATERIAL = BERYLLIUM COPPER
 FINISH = 1.25 μ NICKEL
 ALL OTHER APPLICABLE SPECIFICATIONS ARE SHOWN IN COMPONENT SPECIFICATION C005XX (LATEST ISSUE), AND APPLY WHEN LATCH IS ATTACHED TO CONNECTOR.

WJB	1	20.03.03	7371
NAME	ISS.	DATE	C/NOTE
APPROVED: P. D. COLLINS			
CHECKED: J. A. EVANS			
DRAWN: W. J. BOURNE			
CUSTOMER REF.:			
ASSEMBLY DRG:			

HARWIN

HARWIN INC
 U.S.A.
 TEL: (812) 542 2546
 FAX: (812) 542 2541

HARWIN PLC
 U.K.
 TEL: 023 9237 0451
 FAX: 023 9231 4590

HARWIN PTE
 SINGAPORE
 TEL: 65 6779 4909
 FAX: 65 6779 3868

THIS DRAWING AND ANY INFORMATION OR DESCRIPTIVE MATTER SET OUT HEREON ARE CONFIDENTIAL AND COPYRIGHT PROPERTY OF THE HARWIN GROUP AND MUST NOT BE DISCLOSED, LOANED, COPIED OR USED FOR MANUFACTURING, TENDERING OR FOR ANY OTHER PURPOSE WITHOUT THEIR WRITTEN PERMISSION.

TOLERANCES
 X. = ± 1 mm
 X.X = ± 0.25 mm
 X.XX = ± 0.10 mm
 X.XXX = ± 0.01 mm
 ANGLES = $\pm 5^\circ$
 UNLESS STATED

MATERIAL:
 SEE ABOVE
 FINISH:
 SEE ABOVE
 S/AREA:
 mm²

TITLE:
 DATAMATE LOCKING LATCH
 DRAWING NUMBER:
M80F001S
 SHT
 2 OF 2