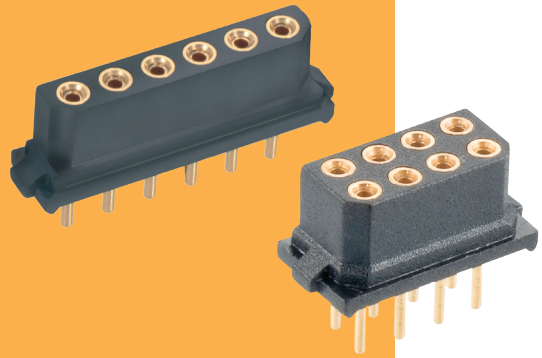


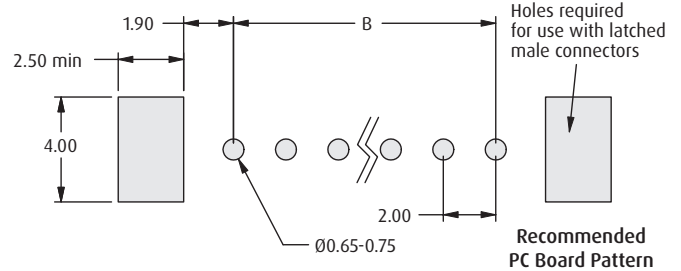
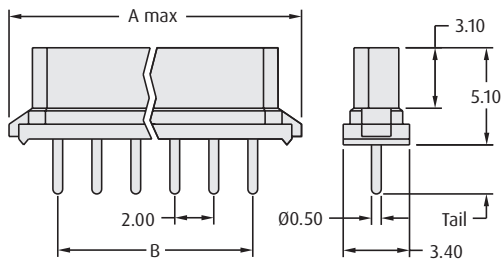
# Datamate L-Tek Connectors

## Female Vertical PC Tail

- Polarised mouldings.
- Dummy contacts are available for additional polarisation, use order code M80-023.



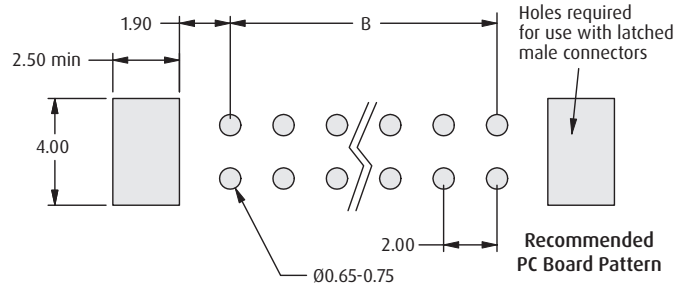
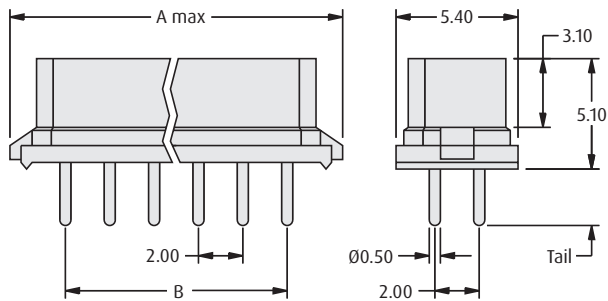
### SINGLE ROW



### CALCULATION

<b>A</b>	$B + 5.15$
<b>B</b>	$(\text{Total no. of contacts} - 1) \times 2$

### DOUBLE ROW



### CALCULATION

<b>A</b>	$B + 5.15$
<b>B</b>	$\text{Total no. of contacts} - 2$

## HOW TO ORDER

**M80 - XXX XX XX**

### SERIES CODE

### TYPE

<b>840</b>	Single Row (3mm tail)
<b>850</b>	Double Row (3mm tail)
<b>790</b>	Single Row (4.5mm tail)
<b>770</b>	Double Row (4.5mm tail)

### FINISH

<b>42</b>	Gold + Tin
<b>45</b>	Gold

### TOTAL NO. OF CONTACTS

<b>02 to 07, 17, 22</b>	Single Row
<b>04, 06, 08, 10, 12, 14, 16, 18, 20, 26, 34, 44</b>	Double Row

All dimensions in mm.