

# Customer Information Sheet

DRAWING No.: M80-5T10805M2-04-331-00-000

SHEET 2 OF 2

IF IN DOUBT - ASK

©

NOT TO SCALE

THIRD ANGLE PROJECTION

ALL DIMENSIONS IN mm

## SPECIFICATIONS:

**MATERIAL:**  
 Moulding: GLASS FILLED PPS, UL94V-0, BLACK  
 SIGNAL CONTACT: PHOSPHOR BRONZE  
 POWER CONTACT: COPPER ALLOY  
 JACKSCREW: STAINLESS STEEL

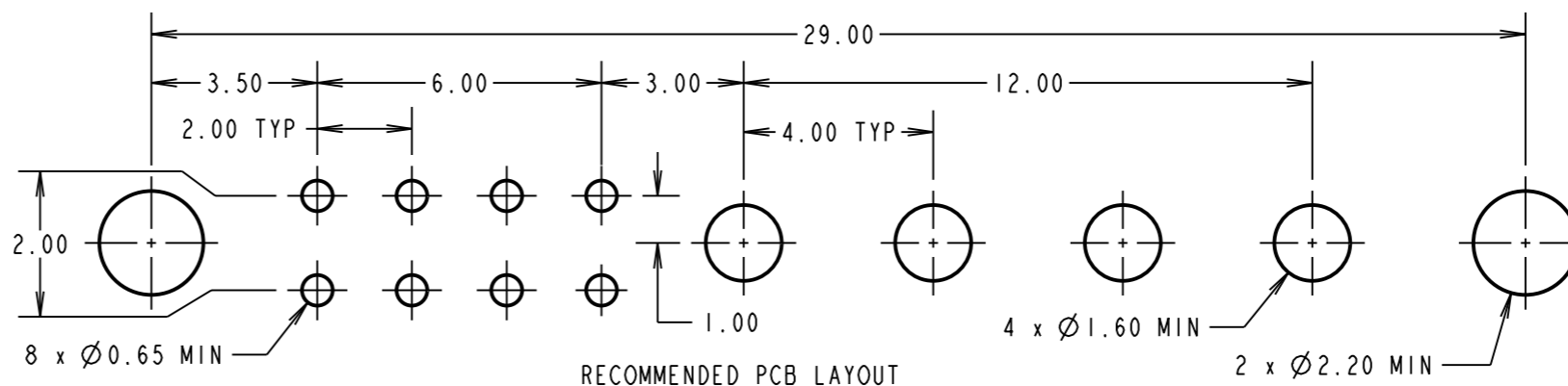
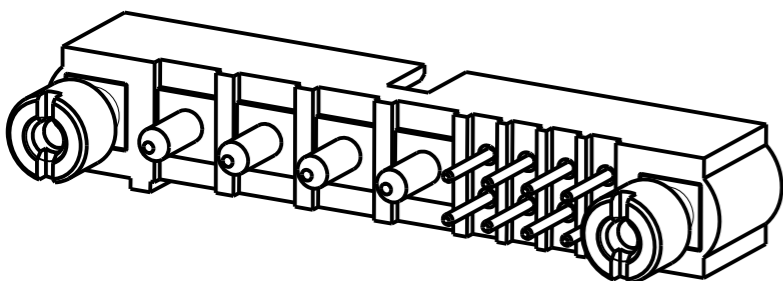
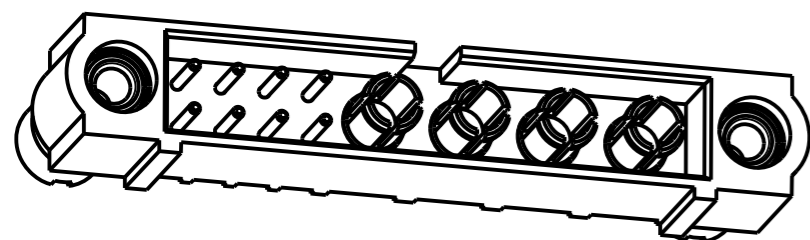
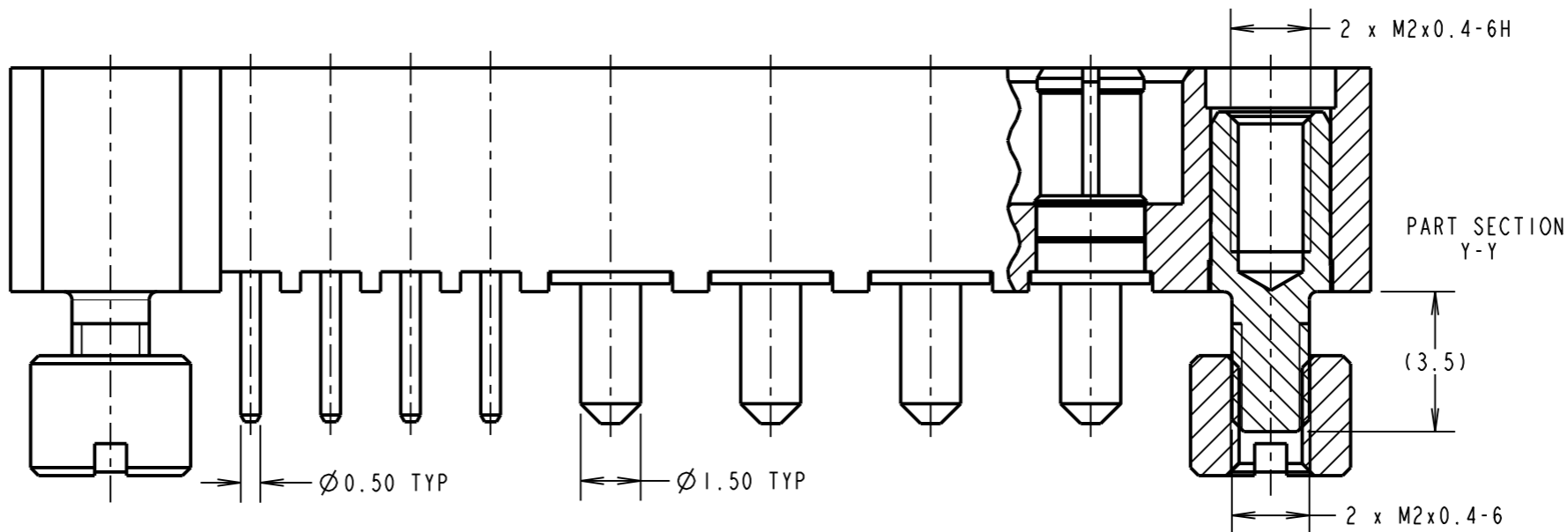
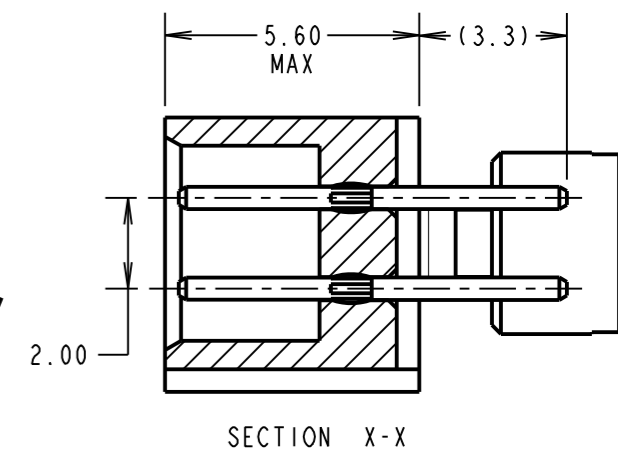
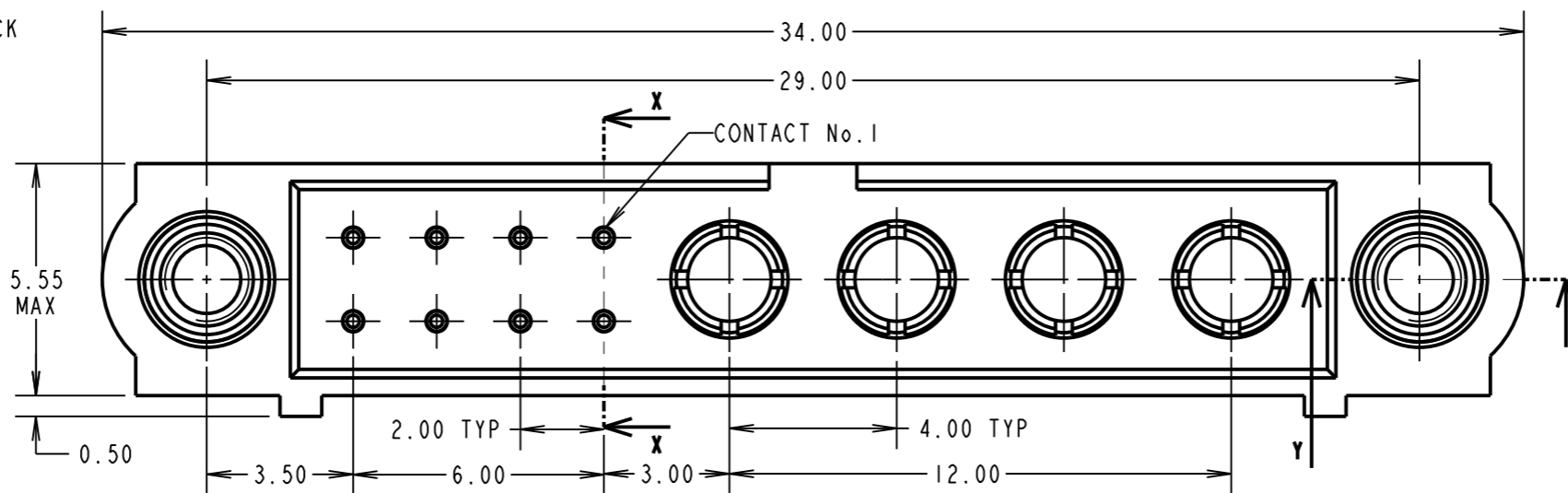
**FINISH:**  
 SIGNAL CONTACT:  
 0.75µ GOLD  
 POWER CONTACT: GOLD

**ELECTRICAL:**  
 WORKING VOLTAGE = 120V AC/DC  
 VOLTAGE PROOF = 360V AC/DC  
 INSULATION RESISTANCE = 100MΩ MIN  
 SIGNAL CONTACT:  
 CURRENT RATING AT 25°C = 3.0A MAX  
 CURRENT RATING AT 85°C = 2.2A MAX  
 CONTACT RESISTANCE = 25 mΩ MAX  
 POWER CONTACT:  
 CONTACT RESISTANCE 6 mΩ MAX  
 CURRENT RATING = 20A MAX

**MECHANICAL:**  
 DURABILITY = 500 OPERATIONS  
 SIGNAL CONTACT:  
 INSERTION FORCE = 2.8N MAX  
 WITHDRAWAL FORCE = 0.2N MIN  
 POWER CONTACT:  
 INSERTION FORCE = 5N MAX  
 WITHDRAWAL FORCE = 0.5N MIN

**ENVIRONMENTAL:**  
 TEMPERATURE RANGE = -55°C TO +125°C

**PACKING:**  
 TUBE  
 FOR COMPLETE SPECIFICATION SEE COMPONENT SPECIFICATION C005XX (LATEST ISSUE)



SM	1	23.09.10	-----
NAME	ISS.	DATE	C/NOTE
APPROVED: S. MCCULLAGH			
CHECKED: R. ADDE			
DRAWN: S. MCCULLAGH			
CUSTOMER REF.:			
ASSEMBLY DRG:			

<b>HARWIN</b>			THIS DRAWING AND ANY INFORMATION OR DESCRIPTIVE MATTER SET OUT HEREON ARE CONFIDENTIAL AND COPYRIGHT PROPERTY OF THE HARWIN GROUP AND MUST NOT BE DISCLOSED, LOANED, COPIED OR USED FOR MANUFACTURING, TENDERING OR FOR ANY OTHER PURPOSE WITHOUT THEIR WRITTEN PERMISSION.	<b>TOLERANCES</b> X. = ±1mm X.X = ±0.25mm X.XX = ±0.10mm X.XXX = ±0.01mm  ANGLES = ±5° UNLESS STATED	<b>MATERIAL:</b> SEE ABOVE  <b>FINISH:</b> SEE ABOVE <b>S/AREA:</b> mm <sup>2</sup>	<b>TITLE:</b> JACKSCREW DATAMATE MIXED TECHNOLOGY PC TAIL MALE ASSEMBLY  <b>DRAWING NUMBER:</b> M80-5T10805M2-04-331-00-000	SHT 2 OF 2
HARWIN USA TEL: 603 893 5376 FAX: 603 893 5396 mis@harwin.com	HARWIN Europe (UK) TEL: 023 9231 4545 FAX: 023 9231 4590 mis@harwin.co.uk	HARWIN Asia TEL: +65 6 779 4909 FAX: +65 6 779 3868 mis@harwin.com.sg					