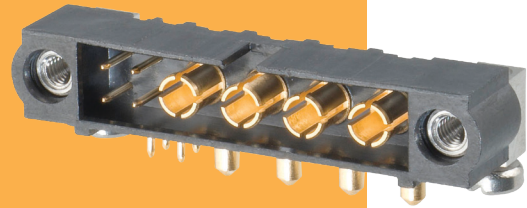


Datamate Power/Signal Connectors

Male Power/Signal Horizontal PC Tail

- ❖ A selection of stocked Datamate Mix-Tek solder tail standard layouts.
- ❖ Choice to suit two PCB thicknesses and two stud lengths.
- ❖ Polarised mouldings.
- ❖ Standard Power contacts rated to 20A, signal to 3A.

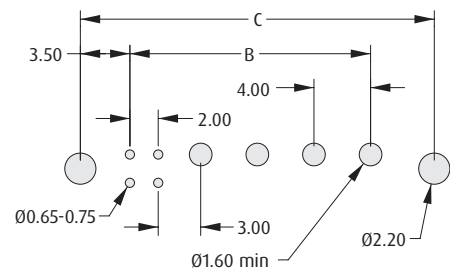
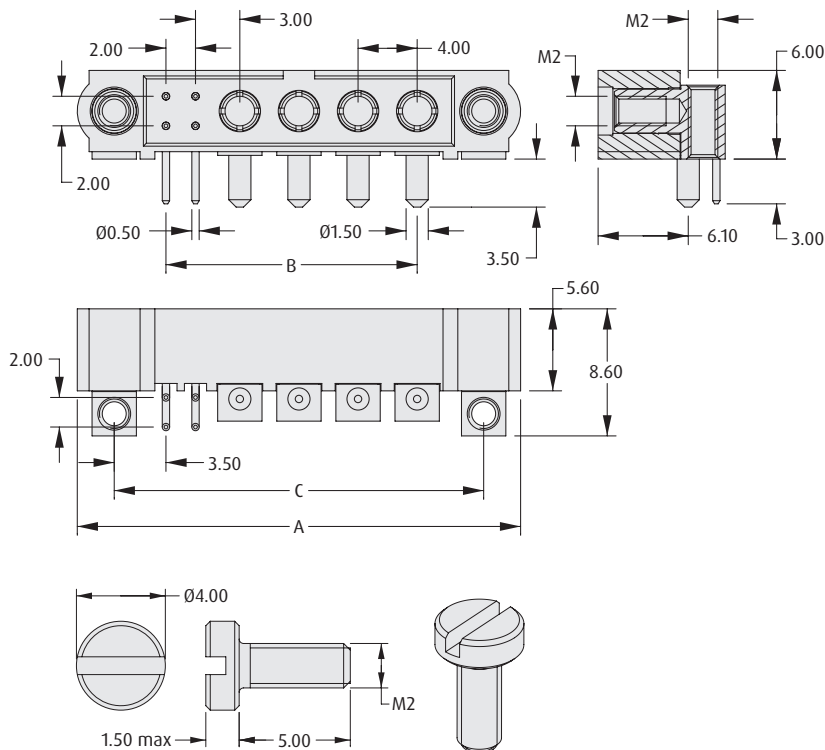


DATAMATE POWER/SIGNAL

SIGNAL AND POWER

CALCULATION

A	$B + 13$
B	$(\text{No. of Power contacts} - 1) \times 4 + \text{Total no. of Signal contacts} + 1$
C	$B + 8$



Recommended PC Board Pattern

Board Mount Bolt, 2 per connector

HOW TO ORDER

M80 - 5L1 04 05 M5 - XX - 333 - 00 - 000

NO. OF SIGNAL CONTACTS

04

NO. OF POWER CONTACTS

02, 04

All dimensions in mm.