

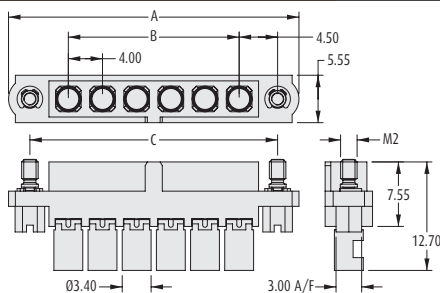
Female Off-The-Shelf

A selection of stocked, female crimp, Datamate Mix-Tek standard layouts.

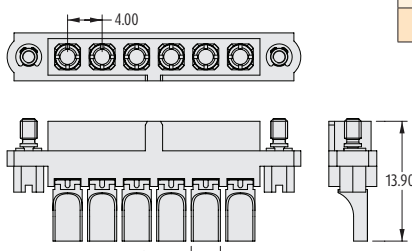
- ❖ Hexagonal slotted jackscrew style.
- ❖ Tooling for signal contacts on pages 87 and 88.
- ❖ Standard Power contacts rated to 20A, signal to 3A.
- ❖ High Power rated to 40A nominal, up to 80A max.
- ❖ Mates with connectors on pages 80 and 81.



POWER CONTACTS ONLY



Standard Power



High Power

CALCULATION

A	B + 14
B	(No. of Power contacts - 1) x 4
C	B + 9

HOW TO ORDER

M80 - 4000000F1 - XX - XXX - 00 - 000

Refer to page 76, 77a for stocked sizes.

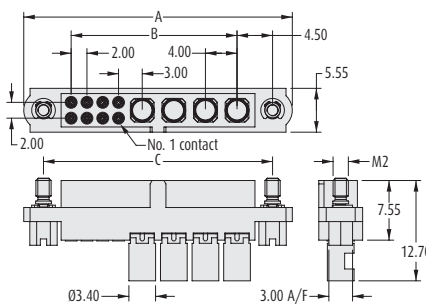
NO. OF POWER CONTACTS

02, 04, 06, 08, 10

POWER CONTACT PART NO.

325	Standard Power
PF5	High Power

SIGNAL AND POWER CONTACTS



CALCULATION

A	B + 13
B	(No. of Power contacts - 1) x 4 + Total no. of Signal contacts + 1
C	B + 8

HOW TO ORDER

M80 - 4C1 XX 05F1 - XX - 325 - 00 - 000

NO. OF SIGNAL CONTACTS

02, 04, 06, 08, 12

NO. OF POWER CONTACTS

02, 04

All dimensions in mm.