

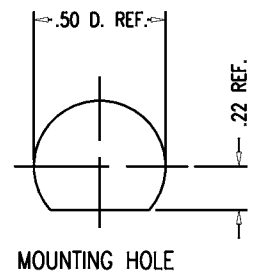
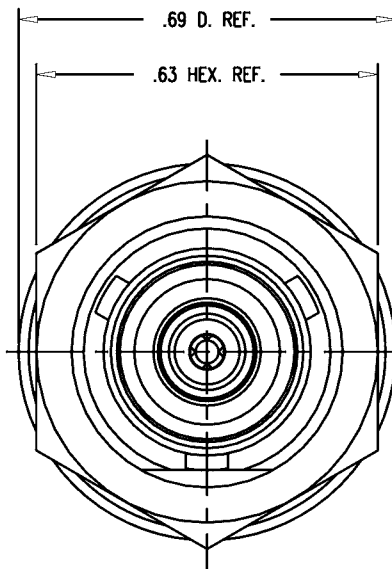
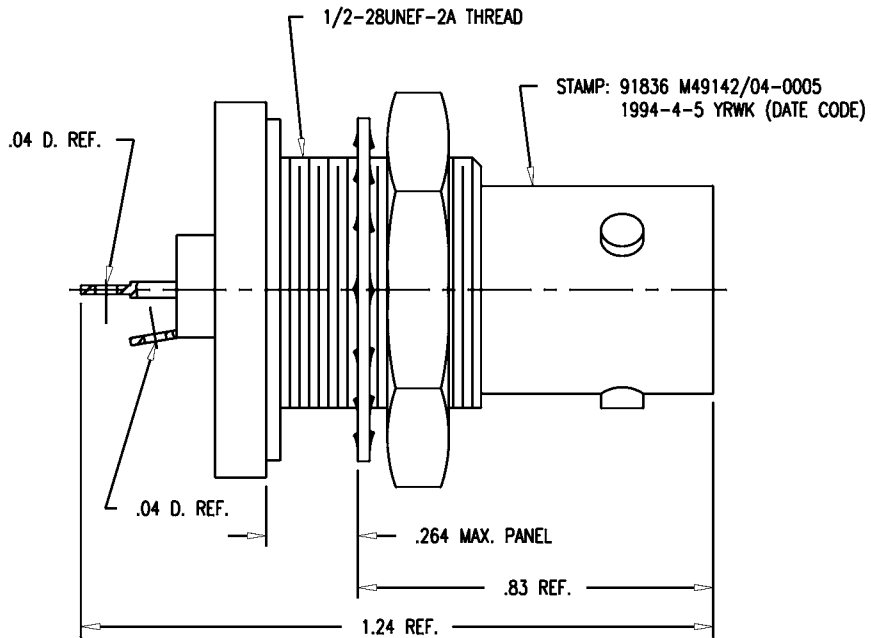
DASH NO.	M CODE	MADE FROM
----------	--------	-----------

# GSD

M49142/04-0005

### REVISIONS

ISSUE	CHANGES
3	CN 33141 D REDRAWN JCA 06/11/91
4	CN 37318 D KH 04/21/97
5	CN 38609 E TML 06/25/02



**NOTES:**

- MATERIALS:**  
 INSULATORS-TEFLON, ASTM-D-4894  
 GASKET-SILICONE RUBBER, ZZ-R-765  
 LOCKWASHER-PHOSHOR BRONZE, ASTM-B-103  
 CENTER CONTACT-BER. COP., ASTM-B-196  
 ALL OTHER METAL PARTS-BRASS, ASTM-B16
- FINISHES:**  
 CENTER CONTACT } GOLD PLATE PER MIL-G-45204  
 GLASS SEAL }  
 ALL OTHER METAL PARTS-SILVER PLATE PER QQ-S-365
- ELECTRICAL CHARACTERISTICS:**  
 WORKING VOLTAGE-400 VRMS
- LEAKAGE RATE SHALL NOT EXCEED  $10^{-7}$  CC OF TRACER GAS AT ATMOSPHERIC PRESSURE.
- THIS PART SUPERSEDES M49142/04-0003.

199445S

SCALE 4:1	
APPROX SURFACE AREA	
1994-4-5	
USED ON	
REF:	
RECEPTACLE, BULKHEAD, TRB (HERMETIC SEAL)	
DRAWN JCA	DATE 06/11/91
DESIGN LJ	DATE 06/11/91
APPR.	DATE

**KINGS**  
 ELECTRONICS CO., INC.  
 ROCK HILL, SOUTH CAROLINA 29730

M49142/04-0005

# GSD