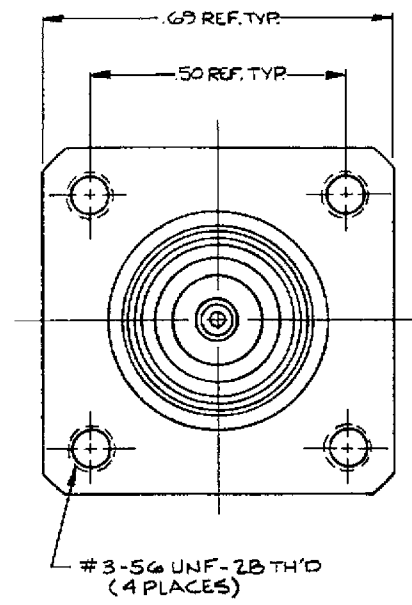
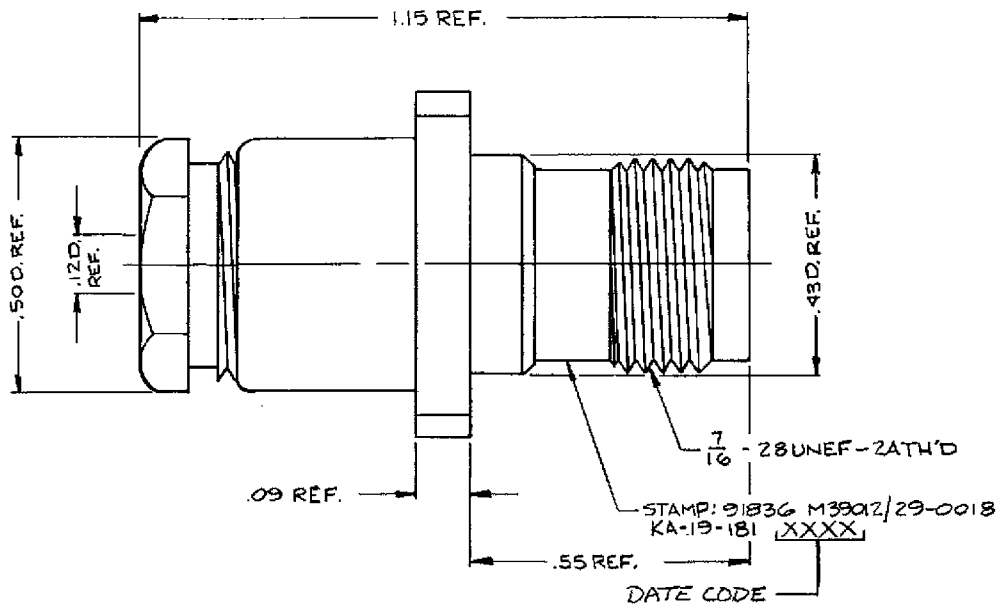


GSD

M39012/29-0018
8100-018

REVISIONS		
ISSUE	CHANGES	
1	CN JEP	23169 E 30 APR 82
2	CN LNM	32302 A 20 JUN 90
3	CN WJM	32955 A 12 MAR 91



- NOTES:
- FOR USE WITH RG-174, 188, 316/U CABLE GROUP.
 - FOR CABLING INSTRUCTIONS SEE CP-1050.
 - MATERIALS:
INSULATORS: TEFLON, L-P-403.
GASKET: SILICONE RUBBER PER MIL-R-5847.
CENTER CONTACT: BER. COP., QQ-C-530.
ALL OTHER PARTS: BRASS, QQ-B-626.
 - FINISHES:
CENTER CONTACT: HARD GOLD PLT. PER MIL-G-45204
ALL OTHER METAL PARTS: SILVER PLT. PER QQ-S-365.
 - ELECTRICAL CHARACTERISTICS:
NOMINAL IMPEDANCE: 50 Ω.
FREQUENCY RANGE: DC-11 GHz.
VOLTAGE RATING: 500V RMS.

GSD

SCALE 4:1	
APPROX SURFACE AREA	
KA-19-181	
USED ON	
REF	
TNC PANEL JACK	
DRAWN JCA	DATE 10 NOV 88
APPR MJB	DATE 15 NOV 88
APPR	DATE
M39012/29-0018	

GSD

UNLESS OTHERWISE SPECIFIED:	
1 TOLERANCES FRACTIONS & 2 PLACE DECIMALS ± .010	2 REMOVE ALL BURRS. BREAK SHARP EDGES .005 MAX.
3 PLACE DECIMALS ± .004	3 NO FILLETS PERMITTED.
4 ANGLES ± 0°30'	4 SURFACE ROUGHNESS 83 MICROINCHES RMS MAX.
5 T 1 R CONCENTRICITY OF ANY 2 DIAMETERS MAY NOT EXCEED HALF THE SUM OF THEIR TOLERANCES	5 ALL DIMENSIONS PRIOR TO PLATING.
	6 ALL PLATING IN ACCORDANCE WITH KER 10004.