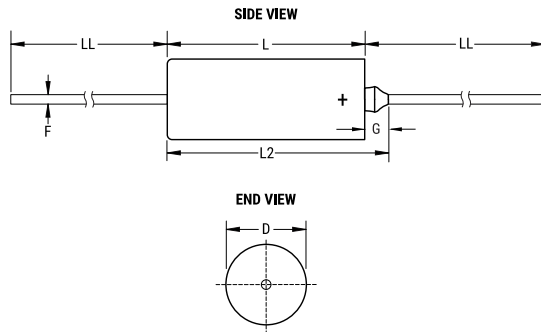


KEMET Part Number: T242A825K010RS
(M39003/03-0318{KEM}, CSR23C825KR)

T242_CSR23, Tantalum, MnO2 Tantalum, Military/High Reliability, 8.2 uF, 10%, 10 VDC, 6 Ohms



Dimensions	
D	3.43mm +/-0.25mm
L	7.26mm +/-0.79mm
L2	10.72mm
LL	38.1mm +/-6.35mm
F	0.51mm +/-0.05mm
G	3.46mm +0.79mm

Packaging Specifications	
Packaging:	Bulk, Box
Packaging Quantity:	150

General Information	
Supplier:	KEMET
Series:	T242_CSR23
Dielectric:	MnO2 Tantalum
Style:	Axial Hermetic
Description:	Axial, Solid Tantalum, Hermetically Sealed, Military, Polar, CSR23 Style
Features:	Extended Capacitance, Polar, Low Leakage
RoHS:	No
Prop 65:	WARNING: Cancer and reproductive harm - www.p65warnings.ca.gov
REACH:	SVHC (Pb – CAS 7439-92-1)
Termination:	Lead (SnPb)
Lead:	Wire Leads
Qualifications:	MIL-PRF-39003, CSR23 Style
Construction:	Hermetic
Notes:	Dimensions Include Insulating Sleeve. Lead Length Shown Is For Parts Supplied With Bulk Packaging, When Supplied On T&R Or Ammo, Lead Length Is Determined By Taping Specification

Specifications	
Capacitance:	8.2 uF
Capacitance Tolerance:	10%
Voltage DC:	10 VDC (85C), 9 VDC (125C Surge), 0.1 VDC (125C Reverse)
Temperature Range:	-55/+125C
Failure Rate:	R (0.01%/1000 Hrs)
Resistance:	6 Ohms (100kHz)
Ripple Current:	122 mAmps (100kHz)
Leakage Current:	1.2 uA
Testing and Reliability:	Standard Testing To MIL-PRF-39003