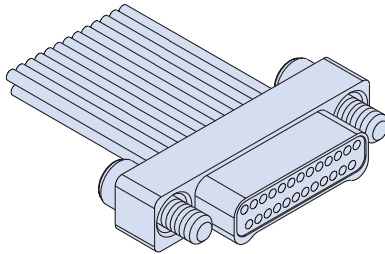


Plug (/03) and Receptacle (/04), Dual Row Connectors with Insulated Wire, How to Order



**M32139/03 and /04 Insulated Wire Connectors**

feature gold alloy TwistPin contacts. Contacts are precision-crimped to insulated, stranded wire. These nanominiature connectors offer premium performance and reliability for demanding applications. Contact spacing is .025 inches. 1 amp current rating, DWV rating 250 volts AC.

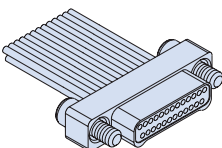
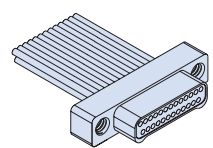
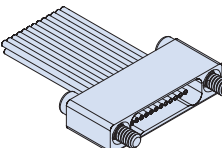
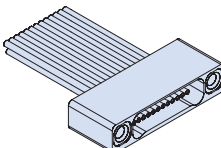
**TwistPin Contact System** assures premium performance in demanding environments. The gold alloy contacts will stand up to years of exposure without corrosion.

**Typical Applications** include UAV's, satellites, missile systems and geophysical instruments.

M32139 Wire Type			
Wire Type	Specification	Color	Length Inches (mm)
01	NEMA HP3-ETXBBB	White	6 (152)
02	NEMA HP3-ETXBBB	White	18 (457)
03	NEMA HP3-ETXBBB	White	36 (914)
04	NEMA HP3-ETXBBB	10 Color <sup>(2)</sup>	6 (152)
05	NEMA HP3-ETXBBB	10 Color <sup>(2)</sup>	18 (457)
06	NEMA HP3-ETXBBB	10 Color <sup>(2)</sup>	36 (914)
07	M22759/33-30	White	6 (152)
08	M22759/33-30	White	18 (457)
09	M22759/33-30	White	36 (914)
10	M22759/33-30	10 Color <sup>(2)</sup>	6 (152)
11	M22759/33-30	10 Color <sup>(2)</sup>	18 (457)
12	M22759/33-30	10 Color <sup>(2)</sup>	36 (914)
13	04047-30A <sup>(1)</sup>	White	6 (152)
14	04047-30A <sup>(1)</sup>	White	18 (457)
15	04047-30A <sup>(1)</sup>	White	36 (914)
16	04047-30A <sup>(1)</sup>	10 Color <sup>(2)</sup>	6 (152)
17	04047-30A <sup>(1)</sup>	10 Color <sup>(2)</sup>	18 (457)
18	04047-30A <sup>(1)</sup>	10 Color <sup>(2)</sup>	36 (914)

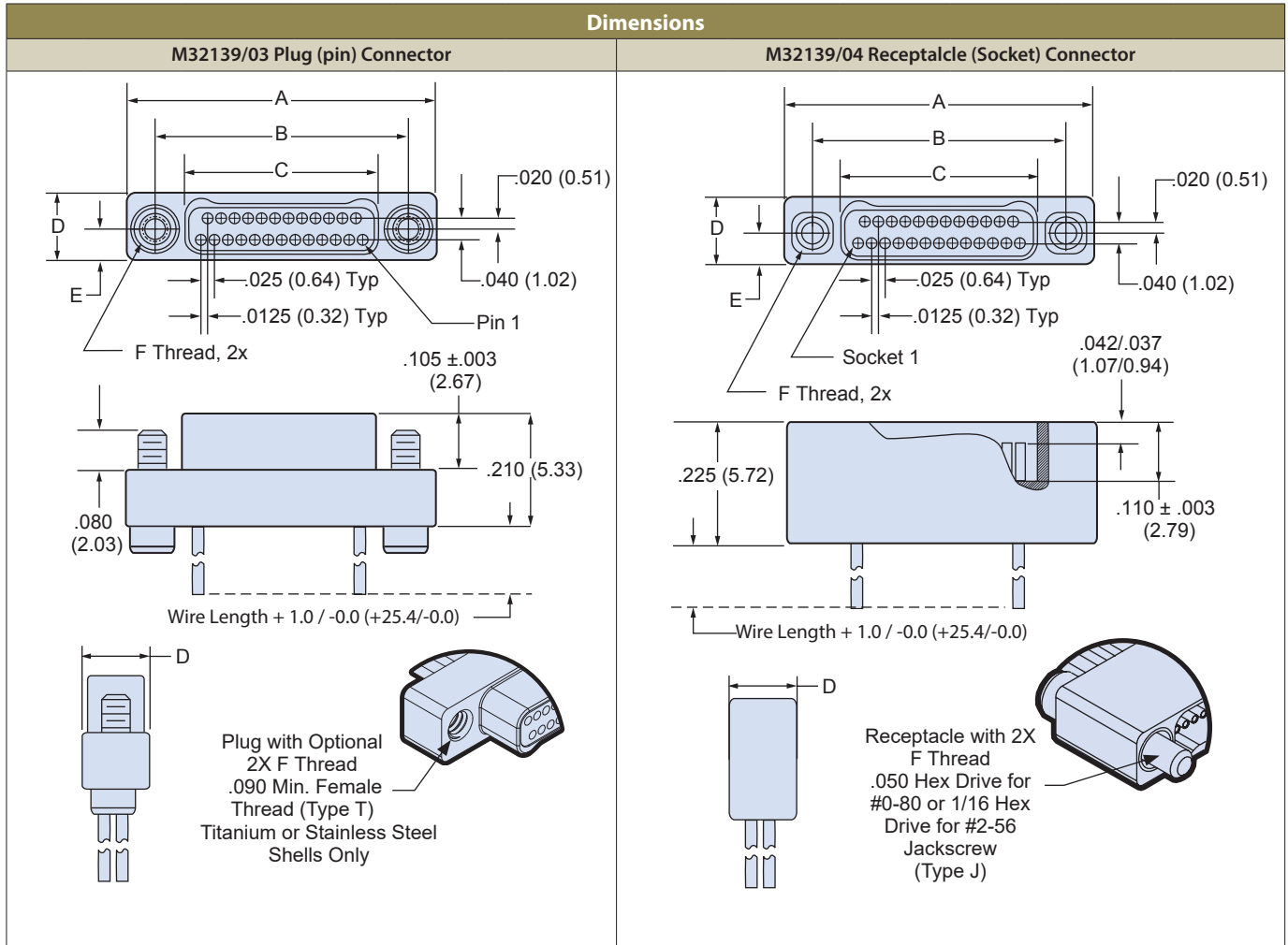
1. DSCC 04047 is a special composite wire subject to additional cost and longer delivery.  
2. Color coding per MIL-STF-681, System 1, except using ten solid colors in repeating sequence.

How To Order									
<b>Sample Part Number</b>	M32139/03			-D	01	S	N	S	
<b>Series</b>	M32139/03 = Plug, Pin Contacts, Dual Row, Nanominiature M32139/04 = Receptacle, Socket Contacts, Dual Row, Nanominiature								
<b>Insert Arrangements</b>	A = 9 contacts   B = 15 contacts   C = 21 contacts   D = 25 contacts   E = 31 contacts F = 37 contacts   G = 51 contacts   H = 65 contacts   J = 69 contacts   K = 85 contacts								
<b>Wire Type</b>	All wire types specify 30 AWG stranded wire. See M32139 Wire Type Table								
<b>Hardware</b>	S = Jackscrew T = Threaded Hole female threads available for plug connectors only if shell material is titanium or stainless steel								
<b>Shell Material and Finish</b>	C = Aluminum, Cadmium Finish (Not for Space) N = Aluminum, Electroless Nickel Finish			S = Stainless Steel, Passivated Finish T = Titanium (Unplated)					
<b>Space Class</b>	(Omit) = for non-space applications   S = Space Grade								

Plug (Pin) Connector		Receptacle (Socket) Connector	
			
J - Jackscrew Option	T - Female Thread Option	J - Jackscrew Option	T - Female Thread Option

**NOTES**

- Material and finish:
  - Shell: see part number breakdown
  - Insulator: LCP/N/A
  - Contacts: gold alloy/unplated
  - Wire: see part number breakdown
  - Hardware: stainless steel, passivated
- Inspect and Test IAW MIL-DTL-32139
- Interface dimensions per MIL-DTL-32139/3 & MIL-DTL-32139/4



Layout	A		B BSC.		C BSC.		D		E BSC.		F Thread
	In. ± .005	mm. ± 0.13	In.	mm.	In.	mm.	In. ± .005	mm ± 0.13	In.	mm	
9P	.375	9.52	.270	6.86	.160	4.06	.125	3.18	.0575	1.46	#0-80 UNF
9S	.375	9.52	.270	6.86	.163	4.14	.125	3.18	.0575	1.46	#0-80 UNF
15P	.450	11.43	.345	8.76	.235	5.97	.125	3.18	.0575	1.46	#0-80 UNF
15S	.450	11.43	.345	8.76	.238	6.04	.125	3.18	.0575	1.46	#0-80 UNF
21P	.525	13.33	.420	10.67	.310	7.87	.125	3.18	.0575	1.46	#0-80 UNF
21S	.525	13.33	.420	10.67	.313	7.95	.125	3.18	.0575	1.46	#0-80 UNF
25P	.575	14.60	.470	11.94	.360	9.14	.125	3.18	.0575	1.46	#0-80 UNF
25S	.575	14.60	.470	11.94	.363	9.22	.125	3.18	.0575	1.46	#0-80 UNF
31P	.650	16.51	.545	13.84	.435	11.05	.125	3.18	.0575	1.46	#0-80 UNF
31S	.650	16.51	.545	13.84	.438	11.12	.125	3.18	.0575	1.46	#0-80 UNF
37P	.725	18.41	.620	15.75	.510	12.95	.125	3.18	.0575	1.46	#0-80 UNF
37S	.725	18.41	.620	15.75	.513	13.03	.125	3.18	.0575	1.46	#0-80 UNF
51P	.900	22.86	.795	20.19	.685	17.40	.125	3.18	.0575	1.46	#0-80 UNF
51S	.900	22.86	.795	20.19	.688	17.47	.125	3.18	.0575	1.46	#0-80 UNF
65P	1.075	27.30	.970	24.64	.860	21.84	.125	3.18	.0575	1.46	#0-80 UNF
65S	1.075	27.30	.970	24.64	.863	21.92	.125	3.18	.0575	1.46	#0-80 UNF
69P	1.125	28.57	1.020	25.91	.910	23.11	.125	3.18	.0575	1.46	#0-80 UNF
69S	1.125	28.57	1.020	25.91	.913	23.19	.125	3.18	.0575	1.46	#0-80 UNF
85P	1.377	34.97	1.246	31.65	1.110	28.19	.150	3.81	.0700	1.78	#2-56 UNC
85S	1.377	34.97	1.246	31.65	1.113	28.27	.150	3.81	.0700	1.78	#2-56 UNC