

Customer Information Sheet

DRAWING No.: M20-610XXXX

SHEET 2 OF 2

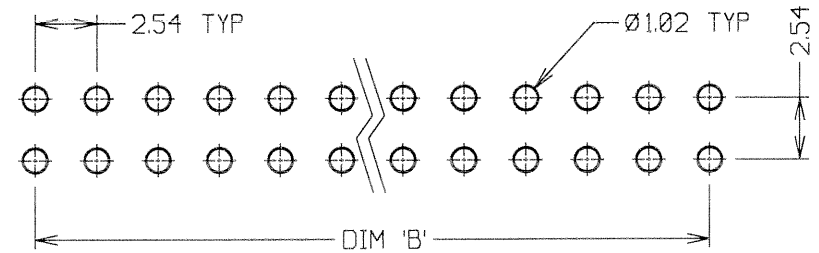
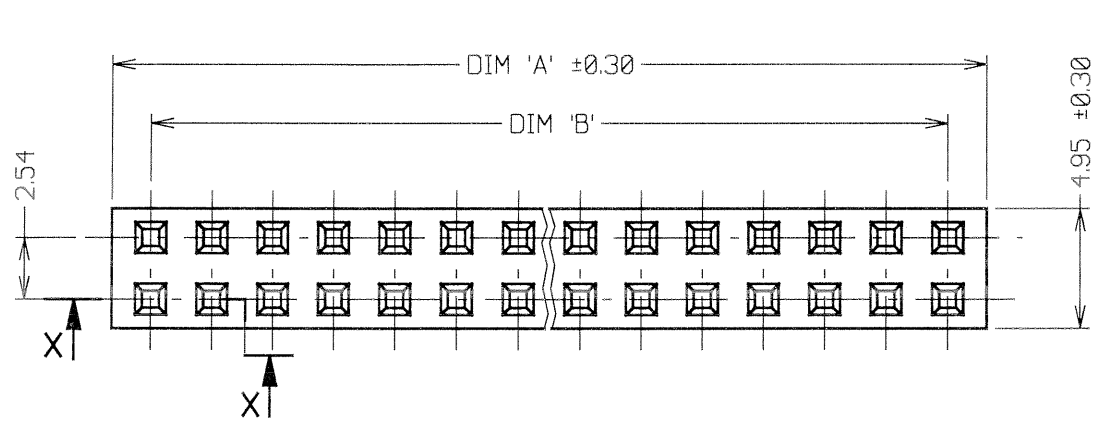
IF IN DOUBT - ASK

©

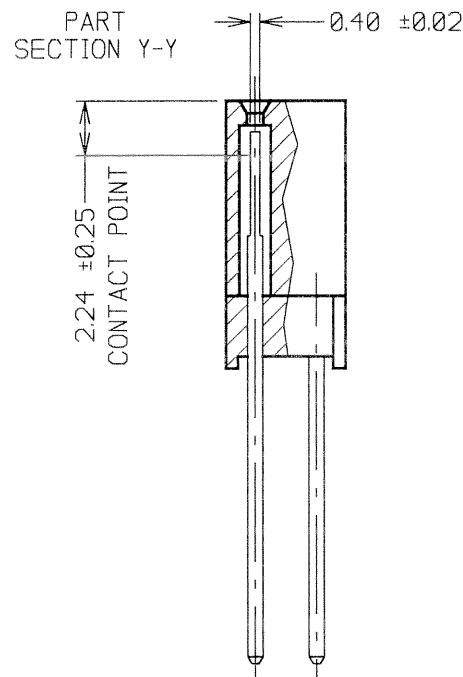
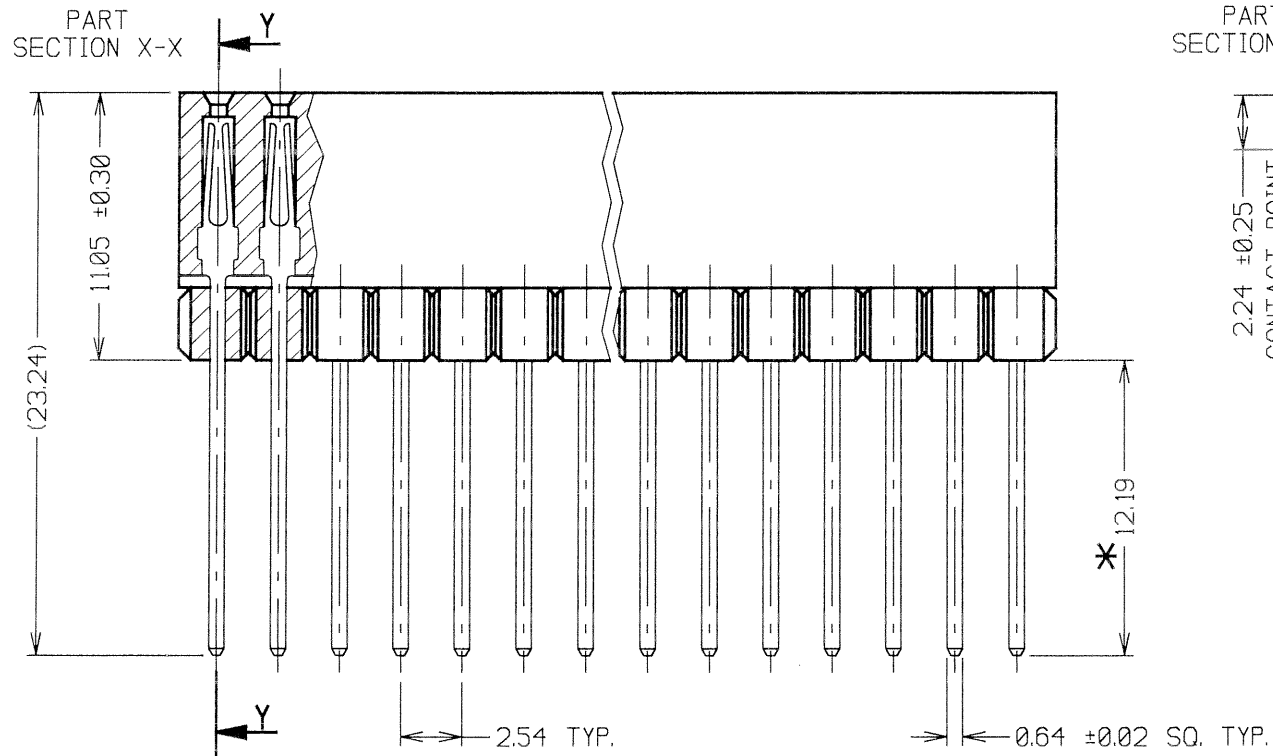
NOT TO SCALE

THIRD ANGLE PROJECTION

ALL DIMENSIONS IN mm



RECOMMENDED PCB LAYOUT



SPECIFICATION:

MATERIALS:

MOULDING =

05 FINISH = GLASS-FILLED POLYESTER UL94V-0 BLACK

45 FINISH = HIGH TEMP NYLON 6T UL94V-0 BLACK

CONTACTS = PHOSPHOR BRONZE

FINISH:

CONTACTS = 0.08µ GOLD OVER NICKEL

ELECTRICAL:

CURRENT RATING = 3A MAX

CONTACT RESISTANCE = 10 MILLIOHMS MAX

INSULATION RESISTANCE = 5,000 MEGOHMS MIN

VOLTAGE PROOF = 1,000V AC

MECHANICAL:

INSERTION FORCE (PER CONTACT) = 1.1N AVERAGE

WITHDRAWAL FORCE (PER CONTACT) = 0.7N AVERAGE

ENVIRONMENTAL:

TEMPERATURE RANGE = -55° TO +105°C

PACKING:

TUBE

ORDER CODE:

M20-610XXXX

No. OF WAYS PER ROW
20, 32

FINISH:

05 = GOLD

45 = GOLD (RoHS COMPLIANT)

NOTES:

- ALL TOLERANCES ARE ±0.20 UNLESS OTHERWISE STATED.
- THIS ITEM CAN BE USED WITH OPTIONAL SPACER M20-6142098 (FOR 20-WAY) OR M20-6143298 (FOR 32-WAY).

No. OF WAYS PER ROW	DIM 'A'	DIM 'B'
20	51.46	48.26
32	81.94	78.74

JMB	8	19.06.06	9269
NAME	ISS.	DATE	C/NOTE
APPROVED: <i>[Signature]</i>			
CHECKED: <i>[Signature]</i>			
DRAWN: WJ BOURNE			
CUSTOMER REF.:			
ASSEMBLY DRG:			

HARWIN			<p>THIS DRAWING AND ANY INFORMATION OR DESCRIPTIVE MATTER SET OUT HEREON ARE CONFIDENTIAL AND COPYRIGHT PROPERTY OF THE HARWIN GROUP AND MUST NOT BE DISCLOSED, LOANED, COPIED OR USED FOR MANUFACTURING, TENDERING OR FOR ANY OTHER PURPOSE WITHOUT THEIR WRITTEN PERMISSION.</p>	<p>TOLERANCES X. = ±1mm X.X = ±0.25mm X.XX = ±0.10mm X.XXX = ±0.01mm ANGLES = ±5° UNLESS STATED</p>	<p>MATERIAL: SEE ABOVE</p>	<p>FINISH: SEE ABOVE</p>	<p>S/AREA: mm²</p>	<p>TITLE: PC104 CONNECTOR (STACKTHROUGH)</p>	
<p>HARWIN USA TEL: 603 893 5376 FAX: 603 893 5396 mis@harwin.com</p>	<p>HARWIN Europe (UK) TEL: 023 9231 4545 FAX: 023 9231 4590 mis@harwin.co.uk</p>	<p>HARWIN Asia TEL: +65 6 779 4909 FAX: +65 6 779 3868 mis@harwin.com.sg</p>						<p>DRAWING NUMBER: M20-610XXXX</p>	