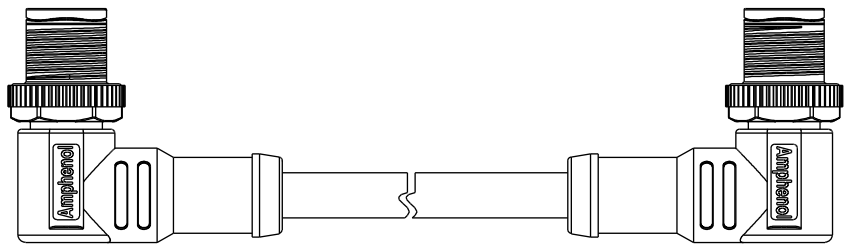
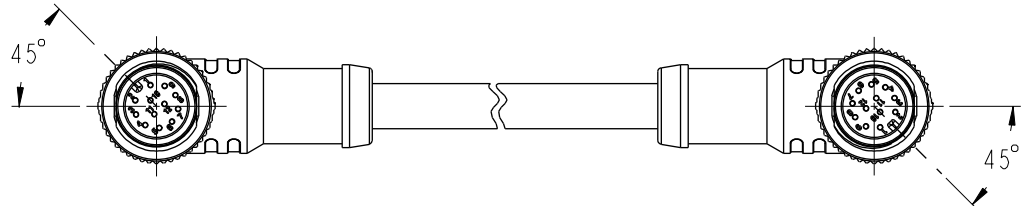
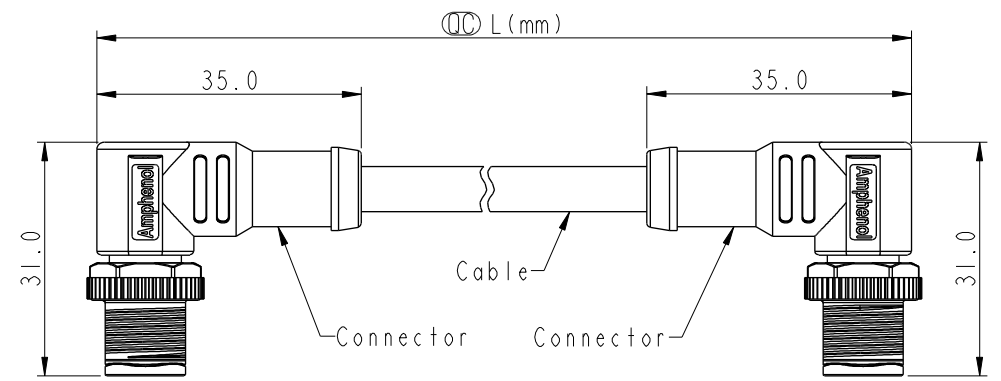


THIS DOCUMENT IS SUBJECT TO CHANGE WITHOUT NOTICE. IT IS CONFIDENTIAL AND A PROPERTY OF Amphenol LTW. DISCLOSURE TO THIRD PARTY HAS TO BE AUTHORIZED BY Amphenol LTW.

REV.	DESCRIPTION



- Note:
- \*  $\text{Ⓞ}$  Important Dimension.
  - \* Waterproof Rate: IP68, IP69K.
  - \* Connector: PU+GF, Black.
  - \* Pin: Copper Alloy, Gold Plated.
  - \* Screw Nut: Zinc Alloy, Nickel Plated.
  - \* Outer Mold: PU, Black.
  - \* Cable: (B) UL20549, PUR Jacket, Black.  
(D) UL2517, PVC Jacket, Black.
  - \* Rated Voltage: 3 & 4Pin 250V dc. or ac.  
5Pin 60V dc. or ac.  
6~12Pin 30V dc. or ac.
  - \* Rated Current: 3~5Pin 4A  
6~8Pin 2A  
10~12Pin 1.5A
  - \* Cable Length Tolerance: 0.5±20mm  
01±40mm  
02M~05M:±60mm  
06M~10M:±100mm  
11M~30M:±200mm  
31M~99M:±500mm

UNIT:mm	
TOLERANCE	±0.5 mm

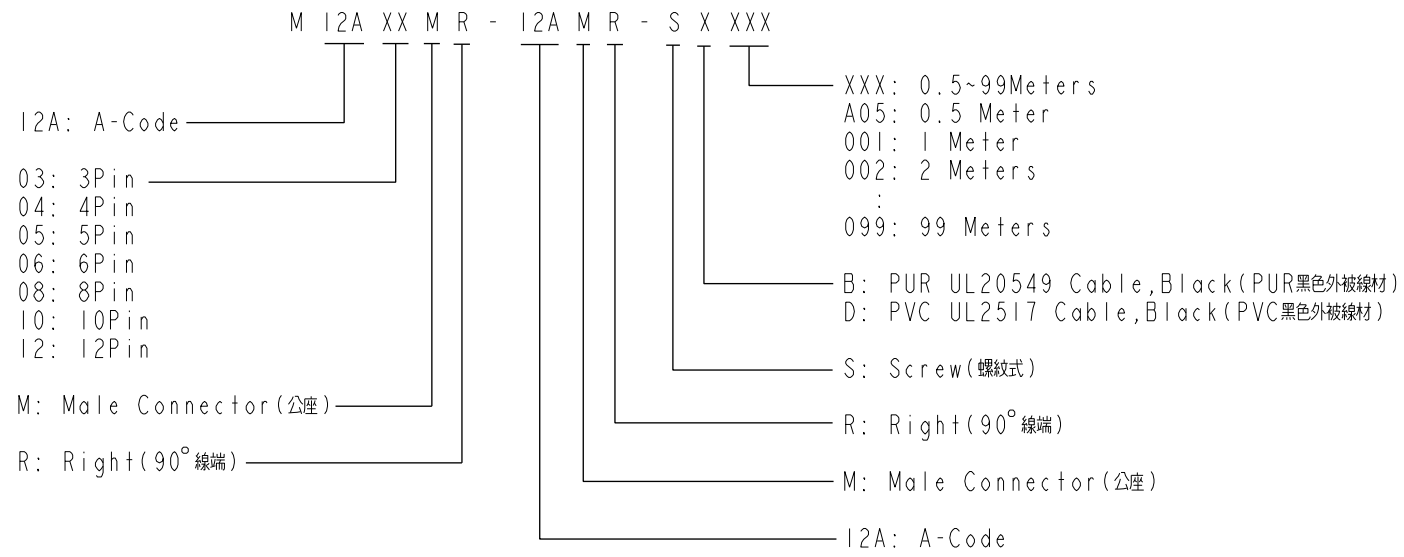
TITLE MI2 A-Code Double Ended			
SCALE 1:1	SIZE A4	SHEET 1 OF 3	
REV. A	WC-REV.	$\text{Ⓞ}$ : Inspection item	

**Amphenol LTW**  
安費諾亮泰企業股份有限公司

ITEM NO	DRAWN BY Vicky	DATE 2018-12-07
DWG NO MI2AXXMR-12AMR-SXXXX	CHECKED BY Rita	DATE 2018-12-07
CUSTOMER ALTW	APPROVED BY Max	DATE 2018-12-07

THIS DOCUMENT IS SUBJECT TO CHANGE WITHOUT NOTICE. IT IS CONFIDENTIAL AND A PROPERTY OF Amphenol LTW. DISCLOSURE TO THIRD PARTY HAS TO BE AUTHORIZED BY Amphenol LTW.

Contacts	Cable Jacket	Cable OD	AWG	Item No.
12P	PVC	6.0	26	MI2A12MR-12AMR-SDXXX
10P		6.0	26	MI2A10MR-12AMR-SDXXX
8P		5.5	24	MI2A08MR-12AMR-SDXXX
6P		5.0		MI2A06MR-12AMR-SDXXX
5P		5.1	22	MI2A05MR-12AMR-SDXXX
4P		4.8		MI2A04MR-12AMR-SDXXX
3P		4.5		MI2A03MR-12AMR-SDXXX
12P	PUR	6.0		26
10P		6.0	26	MI2A10MR-12AMR-SBXXX
8P		4.8	24	MI2A08MR-12AMR-SBXXX
6P		5.0		MI2A06MR-12AMR-SBXXX
5P		4.4	22	MI2A05MR-12AMR-SBXXX
4P		4.0		MI2A04MR-12AMR-SBXXX
3P		3.8		MI2A03MR-12AMR-SBXXX



UNIT: mm

TOLERANCE

TITLE MI2 A-Code Double Ended		
SCALE 1:1	SIZE A4	SHEET 2 OF 3
REV. A	WC-REV.	QC: Inspection item

**Amphenol LTW**  
安費諾亮泰企業股份有限公司

ITEM NO	DRAWN BY Vicky	DATE 2018-12-07
DWG NO MI2AXXMR-12AMR-SXXXX	CHECKED BY Rita	DATE 2018-12-07
CUSTOMER ALTW	APPROVED BY Max	DATE 2018-12-07

Pin Out	Wire	Wire	Wire	Wire	Wire	Wire	Wire
12	--		12	Red/Blue	紅/藍		
11	--		11	Gray/Pink	灰/粉		
10	Violet	紫	10	Violet	紫		
9	Black	黑	9	Black	黑		
8	Red	紅	8	Red	紅		
7	Blue	藍	7	Blue	藍		
6	Pink	粉	6	Pink	粉		
5	Gray	灰	5	Gray	灰		
4	Yellow	黃	4	Yellow	黃		
3	Green	綠	3	Green	綠		
2	Brown	棕	2	Brown	棕		
1	White	白	1	White	白		
8	--		8	Red	紅		
7	Blue	藍	7	Blue	藍		
6	Pink	粉	6	Pink	粉		
5	--		5	Gray	灰		
4	Yellow	黃	4	Yellow	黃		
3	Green	綠	3	Green	綠		
2	Brown	棕	2	Brown	棕		
1	White	白	1	White	白		
Pin #	Wire	Wire	Pin #	Wire	Wire	Pin #	Wire

Pin #	Wire	Wire	Wire	Wire	Wire	Wire	Wire
1	Brown	棕	1	Brown	棕	1	White
2	White	白	2	White	白	2	Brown
3	Blue	藍	3	Blue	藍	3	Green
4	Black	黑	4	Black	黑	4	Yellow
5	Gray	灰	5	Gray	灰	5	Gray
6	Black	黑	6	Black	黑	6	Pink
7	Blue	藍	7	Blue	藍	7	Blue
8	--		8	--		8	--

Pin #	Wire	Wire	Wire	Wire	Wire	Wire	Wire
1	White	白	1	White	白	1	White
2	Brown	棕	2	Brown	棕	2	Brown
3	Green	綠	3	Green	綠	3	Green
4	Yellow	黃	4	Yellow	黃	4	Yellow
5	Gray	灰	5	Gray	灰	5	Gray
6	Pink	粉	6	Pink	粉	6	Pink
7	Blue	藍	7	Blue	藍	7	Blue
8	Red	紅	8	Red	紅	8	Red
9	Black	黑	9	Black	黑	9	Black
10	Violet	紫	10	Violet	紫	10	Violet
11	Gray/Pink	灰/粉	11	Gray/Pink	灰/粉	11	Gray/Pink
12	Red/Blue	紅/藍	12	Red/Blue	紅/藍	12	Red/Blue

Pin #	Wire	Wire	Wire	Wire	Wire	Wire	Wire
1	White	白	1	White	白	1	White
2	Brown	棕	2	Brown	棕	2	Brown
3	Green	綠	3	Green	綠	3	Green
4	Yellow	黃	4	Yellow	黃	4	Yellow
5	Gray	灰	5	Gray	灰	5	Gray
6	Pink	粉	6	Pink	粉	6	Pink
7	Blue	藍	7	Blue	藍	7	Blue
8	Red	紅	8	Red	紅	8	Red
9	Black	黑	9	Black	黑	9	Black
10	Violet	紫	10	Violet	紫	10	Violet
11	Gray/Pink	灰/粉	11	Gray/Pink	灰/粉	11	Gray/Pink
12	Red/Blue	紅/藍	12	Red/Blue	紅/藍	12	Red/Blue

Pin Assignments Front View

UNIT:mm TOLERANCE 	TITLE MI2 A-Code Double Ended			<b>Amphenol LTW</b> 安費諾亮泰企業股份有限公司	ITEM NO MI2AXXMR-12AMR-SXXXX	DRAWN BY Vicky	DATE 2018-12-07
	SCALE 1:1	SIZE A4	SHEET 3 OF 3		CHECKED BY Rita	DATE 2018-12-07	
	REV. A	WC-REV.	QC: Inspection item		APPROVED BY Max	DATE 2018-12-07	
				CUSTOMER ALTW			