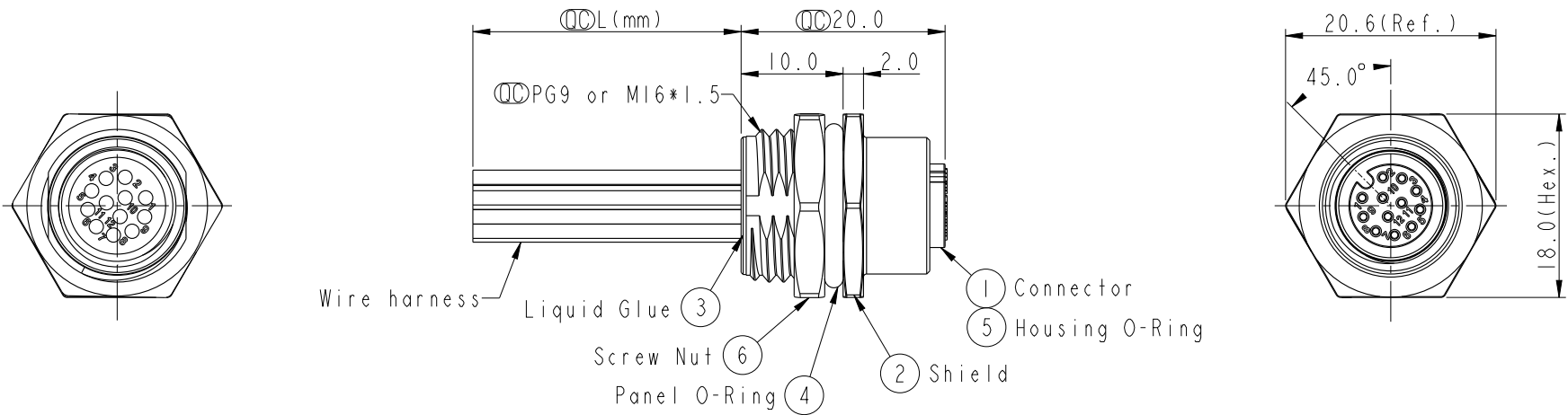
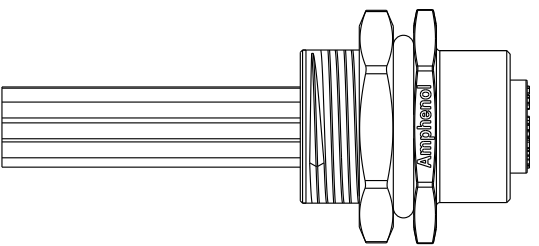
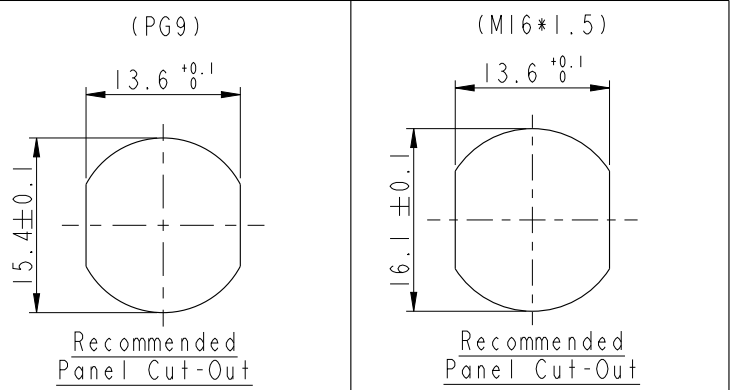


THIS DOCUMENT IS SUBJECT TO CHANGE WITHOUT NOTICE. IT IS CONFIDENTIAL AND A PROPERTY OF Amphenol LTW. DISCLOSURE TO THIRD PARTY HAS TO BE AUTHORIZED BY Amphenol LTW.

REV.	ECN NO.	DATE	SIGN	DESCRIPTION
C	LEN1680557-568	2016/08/08	Yulong_wang	Add 6Pin & IP69K.
D	E191630	2019/09/19	Ruru	Update Wire Tolerance
E	BOMR19100207	2019-10-30	Peng	Add 17Pin



- Notes:
- * \varnothing Important Dimension.
 - * Waterproof Rate: IP68, IP69K.
 - * Connector: Nylon+GF, Black.
 - * Female Pin: Copper Alloy, Gold Plated.
 - * Shield: Zinc Alloy, Nickel Plated.
 - * Screw Nut: Zinc Alloy, Nickel Plated.
 - * Panel O-Ring: Viton, Black.
 - * Housing O-Ring: Viton, Green.
 - * Wire harness: ULI061
 - * Rated Voltage: 3 & 4Pin 250V dc. or ac.
5Pin 60V dc. or ac.
6~12Pin, 17Pin 30V dc. or ac.
 - * Rated Current: 3~5Pin 4A
6~8Pin 2A
10~12Pin, 17Pin 1.5A
 - * Operating Temperature: -25~85°C
 - * For Panel Thickness Max 4.5mm.
 - * Nut Torque: 4-6 Kgf.cm.
 - * Wire harness Tolerance: 150~300±15mm
301~1000±20mm
Over 1000 ±50/-0mm



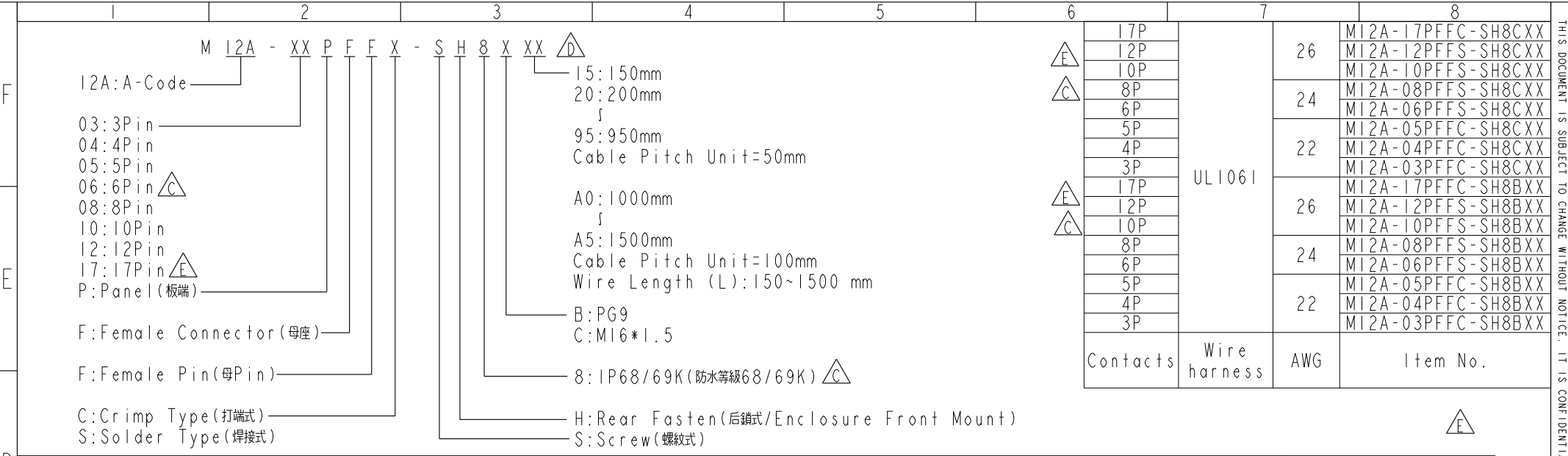
UNIT: mm		
TOLERANCE	.X ±0.25	
.XX ±0.1		
.XXX ±0.05		
ANGLES	±1°	

TITLE M12 A-Code Female Conn. Panel Rear With Wire harness			
SCALE 3:2	SIZE A4	SHEET 1 OF 2	
REV. E	WC-REV. A.3	\varnothing : Inspection item	

Amphenol LTW
安費諾亮泰企業股份有限公司

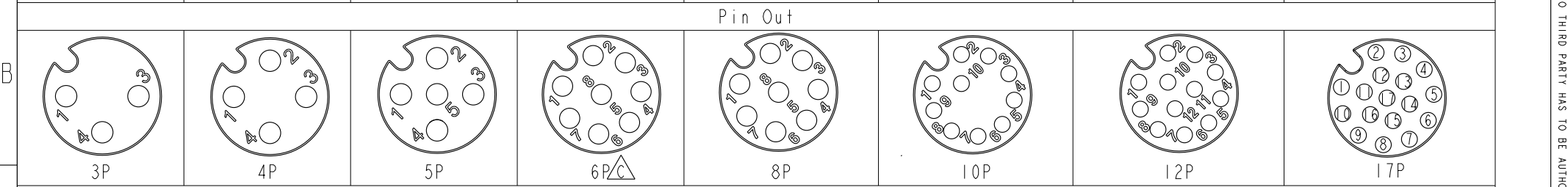
ITEM NO.	DRAWN BY Ruru	DATE 2019-09-19
DWG NO. M12A-XXPFFX-SH8XXX	CHECKED BY Rita	DATE 2019-09-19
CUSTOMER ALTW	APPROVED BY Max	DATE 2019-09-19

THIS DOCUMENT IS SUBJECT TO CHANGE WITHOUT NOTICE. IT IS CONFIDENTIAL AND A PROPERTY OF Amphenol LTW. DISCLOSURE TO THIRD PARTY HAS TO BE AUTHORIZED BY Amphenol LTW.



UL1061	17P	26	M12A-17PFFC-SH8CXX
	12P		M12A-12PFFS-SH8CXX
	10P		M12A-10PFFS-SH8CXX
	8P	24	M12A-08PFFS-SH8CXX
	6P		M12A-06PFFS-SH8CXX
	5P		M12A-05PFFC-SH8CXX
	4P	22	M12A-04PFFC-SH8CXX
	3P		M12A-03PFFC-SH8CXX
	17P		26
	12P	M12A-12PFFS-SH8BXX	
	10P	M12A-10PFFS-SH8BXX	
	8P	24	M12A-08PFFS-SH8BXX
	6P		M12A-06PFFS-SH8BXX
	5P		M12A-05PFFC-SH8BXX
	4P	22	M12A-04PFFC-SH8BXX
	3P		M12A-03PFFC-SH8BXX
	Contacts	Wire harness	AWG

Pin #	Wire	Pin #	Wire	Pin #	Wire	Pin #	Wire	Pin #	Wire	Pin #	Wire	Pin #	Wire	Pin #	Wire	Pin #	Wire			
5	--	5	--	5	Gray	灰	5	--	5	Gray	灰	5	--	5	Gray	灰	5	White	白	
4	Black	4	Black	4	Black	黑	4	Blue	4	Blue	藍	4	Yellow	4	Yellow	4	Yellow	4	Brown	棕
3	Blue	3	Blue	3	Blue	藍	3	Green	3	Green	綠	3	Green	3	Green	3	Green	3	White	白
2	--	2	White	2	White	白	2	Brown	2	Brown	棕	2	Brown	2	Brown	2	Brown	2	White	白
1	Brown	1	Brown	1	Brown	棕	1	White	1	White	白	1	White	1	White	1	White	1	White	白



Pin Assignments Front View

UNIT: mm TOLERANCE .X ±0.25 .XX ±0.1 .XXX ±0.05 ANGLES ±1°		TITLE M12 A-Code Female Conn. Panel Rear With Wire harness			Amphenol LTW 安費諾亮泰企業股份有限公司		ITEM NO M12A-XXPFFX-SH8XXX	DRAWN BY Ruru	DATE 2019-09-19
		SCALE 3:2	SIZE A4	SHEET 2 OF 2			DWG NO M12A-XXPFFX-SH8XXX	CHECKED BY Rita	DATE 2019-09-19
		REV. E	WC-REV. A.3	QC : Inspection item	CUSTOMER ALTW	APPROVED BY Max	DATE 2019-09-19		