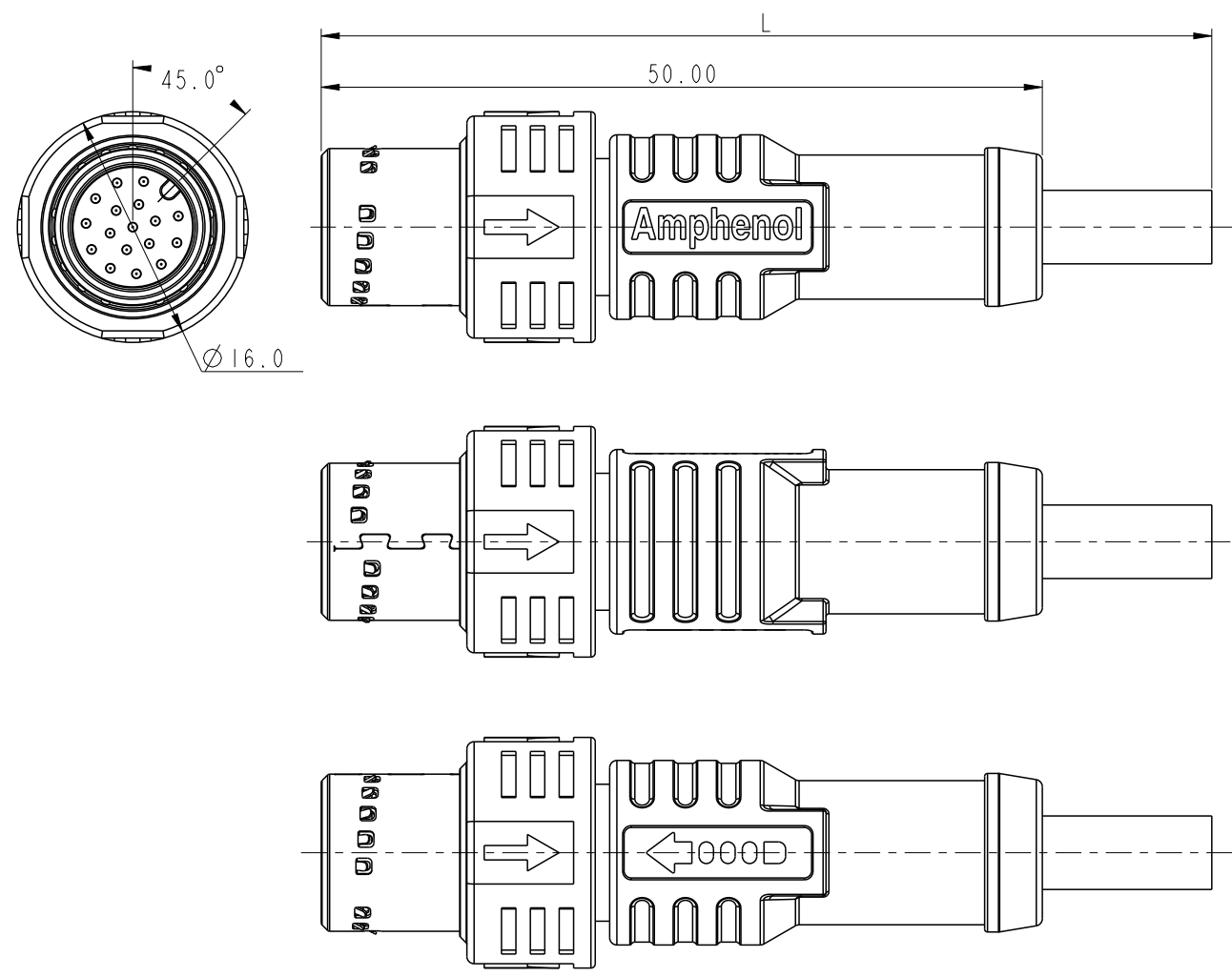


THIS DOCUMENT IS SUBJECT TO CHANGE WITHOUT NOTICE. IT IS CONFIDENTIAL AND A PROPERTY OF Amphenol LTW. DISCLOSURE TO THIRD PARTY HAS TO BE AUTHORIZED BY Amphenol LTW.

REV.	ECN NO.	DATE	SIGN	DESCRIPTION
A		2020-08-26	Sam Ho	New Release

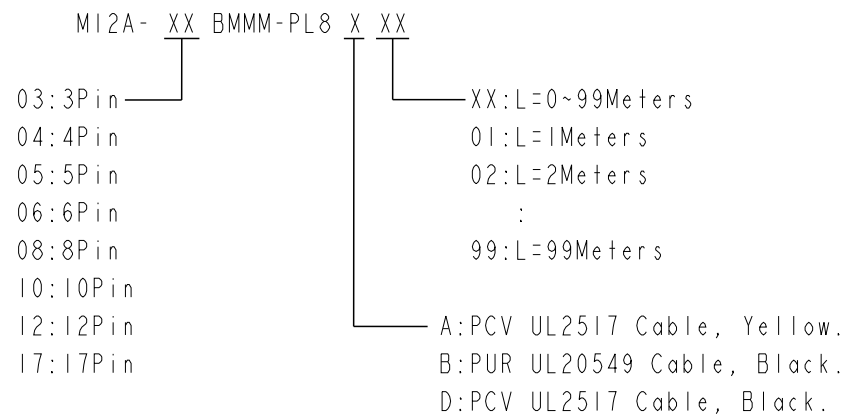


Notes:
 Material Specification:
 * Housing: Thermoplastic, UL94V-0, Black.
 * Male Pin: Copper Alloy, Gold Plated.
 * Shell & Latch & Spring: Metal.
 * Outer Mold: Thermoplastic, Black.
 Electrical Specification:
 * Contact Resistance: 10mΩ (Max.)
 * Insulation Resistance: 100MΩ (Min.)
 * Voltage Proof: 2~4 Pin 1.5KV
 5 Pin 1.0KV
 6~8 Pin 0.65KV
 9~17 Pin 0.65KV
 * Rated Voltage: 2~4 Pin 250V D.C. or A.C.
 5 Pin 60V D.C. or A.C.
 6~17 Pin 30V D.C. or A.C.
 * Rated Current: 2~5 Pin 4.0A
 6~8 Pin 2.0A
 9~17 Pin 1.5A
 Mechanical Specification:
 * Durability: 500 Cycles.
 Environmental Specification:
 * Waterproof Rate: IP68.
 * Temperature Range:
 -20~+80°C For PVC Cable
 -20~+85°C For PU Cable

UNIT:mm TOLERANCE ±0.50mm	TITLE M12 A Code Push Pull Type Cable		Amphenol LTW 安費諾亮泰企業股份有限公司		ITEM NO M12A-XXBMMM-PL8XXX	DRAWN BY Sam Ho	DATE 2020-08-26
	SCALE 2:1	SIZE A4			SHEET 1 OF 3	DWG NO M12A-XXBMMM-PL8XXX	CHECKED BY Fred Lee
	REV. A	WC-REV.	QC: Inspection item	CUSTOMER ALTW	APPROVED BY Fred Lee	DATE 2020-08-26	

THIS DOCUMENT IS SUBJECT TO CHANGE WITHOUT NOTICE. IT IS CONFIDENTIAL AND A PROPERTY OF AMPHENOL LTW. DISCLOSURE TO THIRD PARTY HAS TO BE AUTHORIZED BY AMPHENOL LTW.

	1	2	3	4	5	6	7	8								
F					17P	PVC	7.0	26	M12A-17BMMM-PL8DXX							
					12P		6.0		M12A-12BMMM-PL8DXX							
					10P				M12A-10BMMM-PL8DXX							
					8P		5.5	24	M12A-08BMMM-PL8DXX							
					6P		5.0		M12A-06BMMM-PL8DXX							
					5P		5.1	22	M12A-05BMMM-PL8DXX							
					4P		4.8		M12A-04BMMM-PL8DXX							
					3P		4.1		M12A-03BMMM-PL8DXX							
					17P		7.0		26	M12A-17BMMM-PL8BXX						
					12P		6.0	M12A-12BMMM-PL8BXX								
					10P			M12A-10BMMM-PL8BXX								
					E						PUR	8P	5.5	24	M12A-08BMMM-PL8BXX	
												6P	5.0		M12A-06BMMM-PL8BXX	
												5P	5.1	22	M12A-05BMMM-PL8BXX	
												4P	4.8		M12A-04BMMM-PL8BXX	
												3P	4.1		M12A-03BMMM-PL8BXX	
												17P	7.0		26	M12A-17BMMM-PL8AXX
12P	6.0	M12A-12BMMM-PL8AXX														
10P		M12A-10BMMM-PL8AXX														
D						PVC						8P	5.5	24	M12A-08BMMM-PL8AXX	
												6P	5.0		M12A-06BMMM-PL8AXX	
												5P	5.1	22	M12A-05BMMM-PL8AXX	
												4P	4.8		M12A-04BMMM-PL8AXX	
												3P	4.1		M12A-03BMMM-PL8AXX	
												Contacts	Cable Jacket		Cable OD	AWG



A	UNIT: mm		TITLE M12 A Code Push Pull Type Cable			Amphenol LTW		ITEM NO M12A-XXBMMM-PL8XXX	DRAWN BY Sam Ho	DATE 2020-08-26
	TOLERANCE ±0.50mm		SCALE 2:1	SIZE A4	SHEET 2 OF 3	安費諾亮泰企業股份有限公司		DWG NO M12A-XXBMMM-PL8XXX	CHECKED BY Fred Lee	DATE 2020-08-26
			REV. A	WC-REV.				CUSTOMER ALTW	APPROVED BY Fred Lee	DATE 2020-08-26

