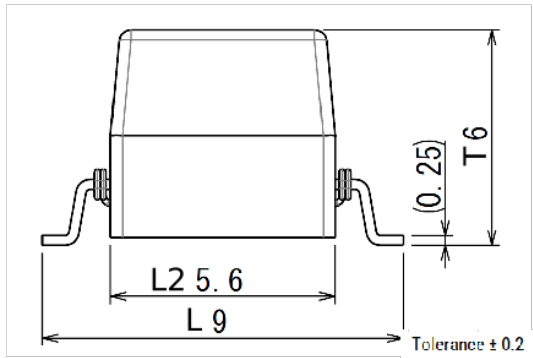
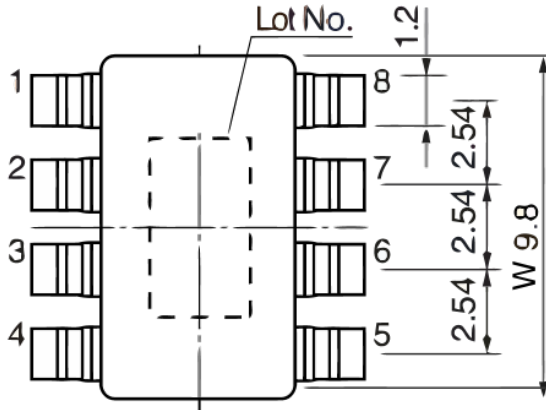


## M-542CT

Aliases (UDLM000542CT00)

KEMET, M-500CT, DC Line Filters, Common Mode



Click [here](#) for the 3D model.

### General Information

Series	M-500CT
Style	SMD
RoHS	Yes
Miscellaneous	Insulation Resistance: 10M $\Omega$ MIN (100 VDC Between Lines).

### Specifications

Voltage DC	50 VDC
Impedance	200 Ohms (10 MHz)
Temperature Range	-20/+75°C
DC Resistance	120 m $\Omega$ (MAX)

### Dimensions

L	9mm NOM
W	9.8mm +/-0.2mm
T	6mm MAX
L2	5.6mm +/-0.2mm

### Packaging Specifications

Packaging	T&R, 330mm
Packaging Quantity	1000
Typical Component Weight	530 mg

Statements of suitability for certain applications are based on our knowledge of typical operating conditions for such applications, but are not intended to constitute - and we specifically disclaim - any warranty concerning suitability for a specific customer application or use. This information is intended for use only by customers who have the requisite experience and capability to determine the correct products for their application. Any technical advice inferred from this information or otherwise provided by us with reference to the use of our products is given gratis, and we assume no obligation or liability for the advice given or results obtained.