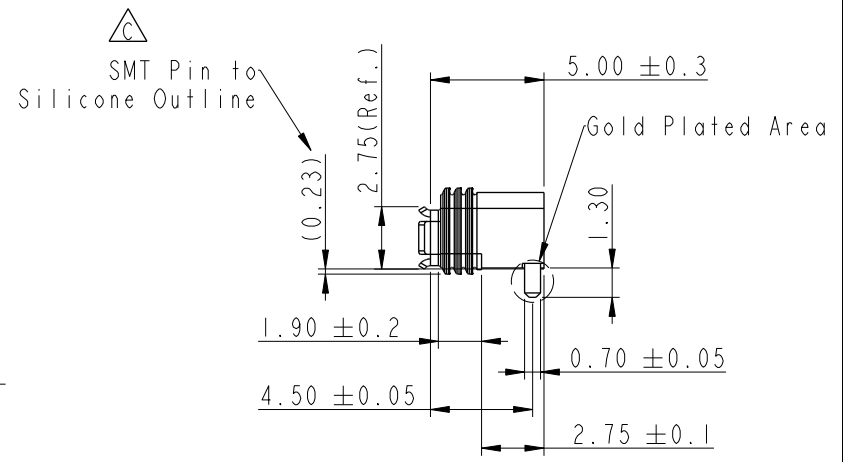
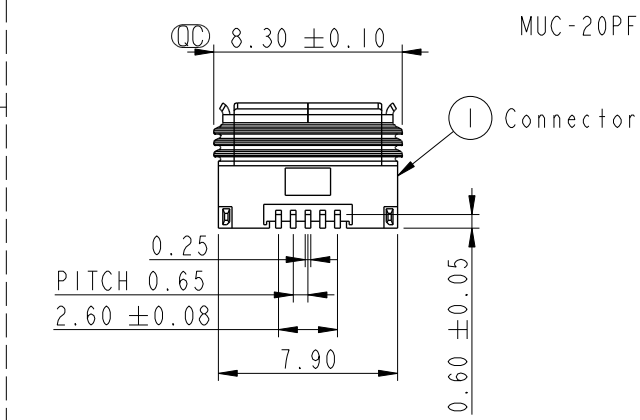
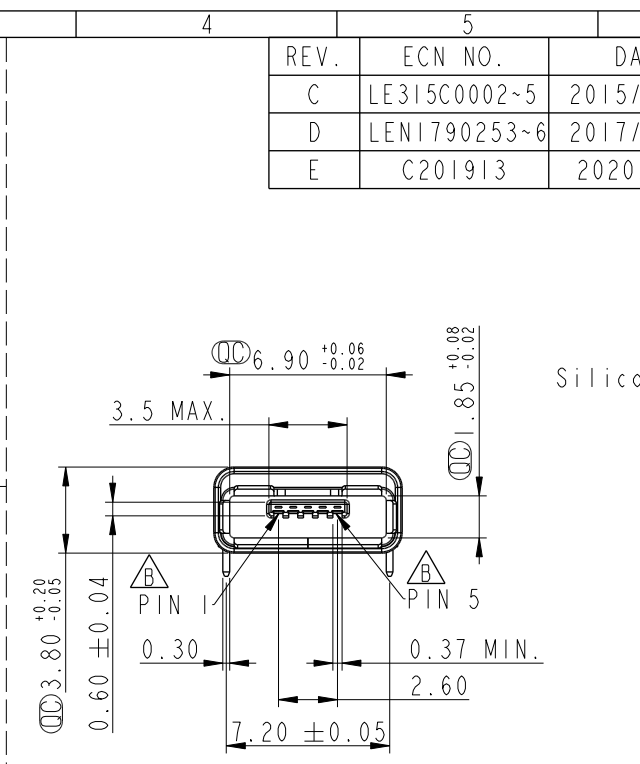
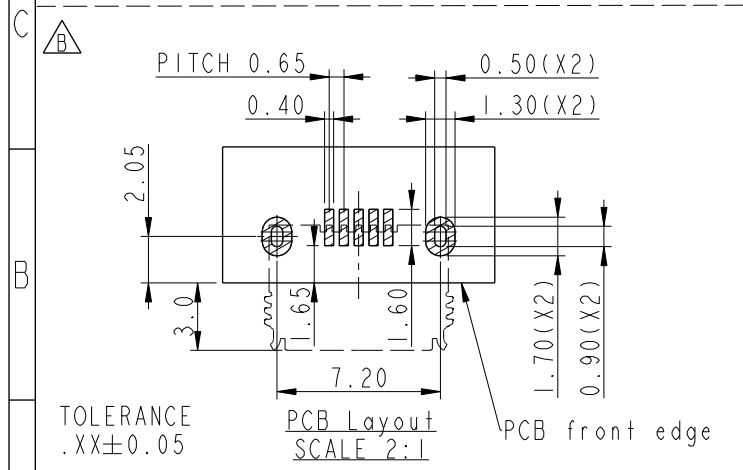
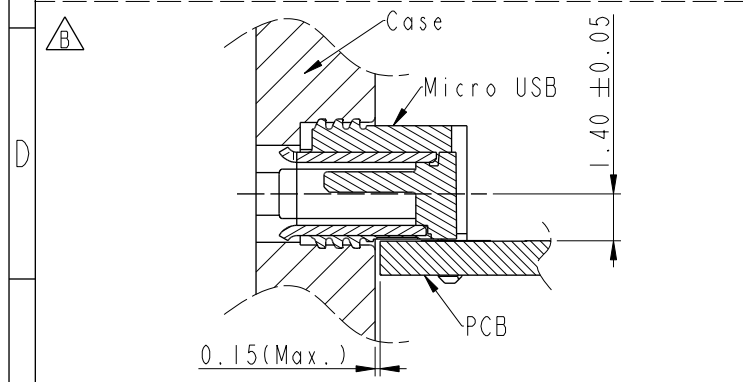
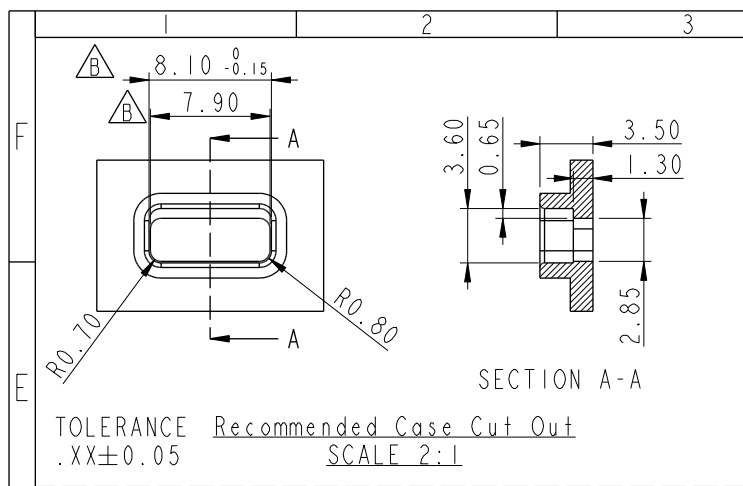


THIS DOCUMENT IS SUBJECT TO CHANGE WITHOUT NOTICE. IT IS CONFIDENTIAL AND A PROPERTY OF Amphenol LTW. DISCLOSURE TO THIRD PARTY HAS TO BE AUTHORIZED BY Amphenol LTW.

REV.	ECN NO.	DATE	SIGN	DESCRIPTION
C	LE315C0002~5	2015/11/16	Jason.Yu	Add SMT Fixture Explanation
D	LEN1790253~6	2017/09/15	Ruru	RoHS Label and blue and white label merger
E	C201913	2020/12/7	Ruru	△ XI



MUC-20PFFR-JSXX01

- ↑
- ↑70: IPX7 (1M depth of water in 30min)
- ↑8A: IPX8 (1M depth of water in 24hrs)
- ↑8B: IPX8 (5M depth of water in 24hrs)
- ↑8C: IPX8 (10M depth of water in 3hrs)

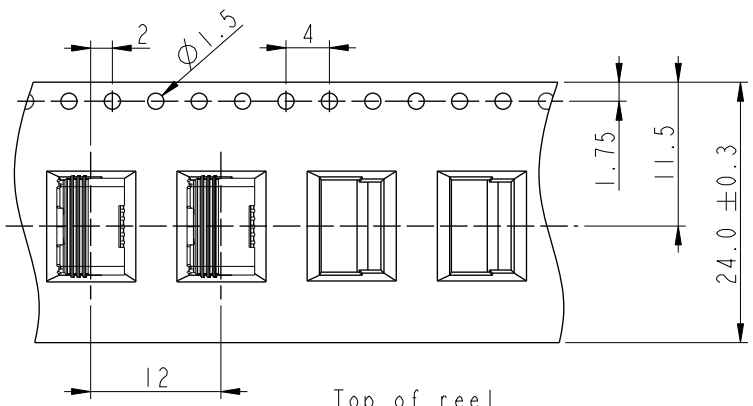
- Note:
- * (C) Important Dimensions To Check.
 - * Current: 1&5pin(1.8A), 2~4 pin(1.0A)
 - △ Housing: Nylon, Black
 - * Terminal: Copper Alloy, Gold Plated
 - * Shell: Stainless, Gold Plated
 - * Inner Gasket: Silicon, Transparent
 - * Outside Gasket: Silicon, Transparent
 - * PCB Thickness: 1.0 MAX.
 - * For Micro USB A & B type plug use
 - △ SMD Temperature & Time: 260°C / 5 sec

UNIT: mm			TITLE MICRO USB A&B SMD TYPE		
TOLERANCE	.X ±0.25	.XX ±0.1	SCALE 3:1	SIZE A4	SHEET 1 OF 3
ANGLES	.XXX ±0.05	±1°	REV. E	WC-REV. A.6	(C): Inspection item

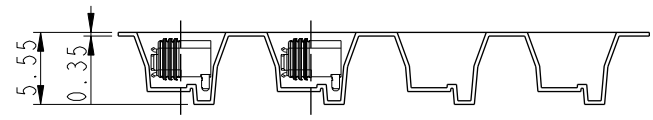
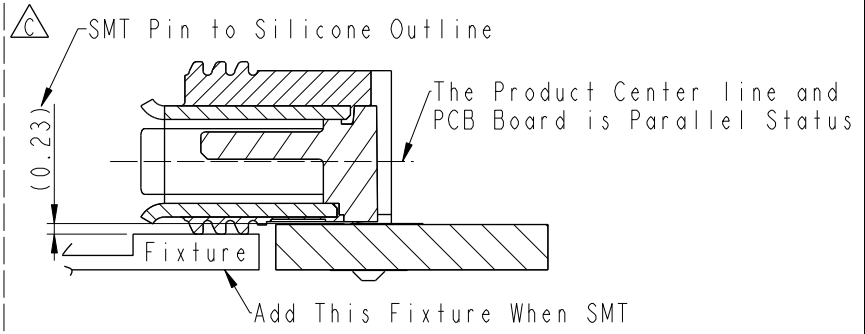
Amphenol LTW
安費諾亮泰企業股份有限公司

ITEM NO.	DWG NO.	CUSTOMER	DRAWN BY	CHECKED BY	APPROVED BY	DATE
	MUC-20PFFR-JSXX01	ALTW	Ruru	Rita	Max	2017-09-15

△B



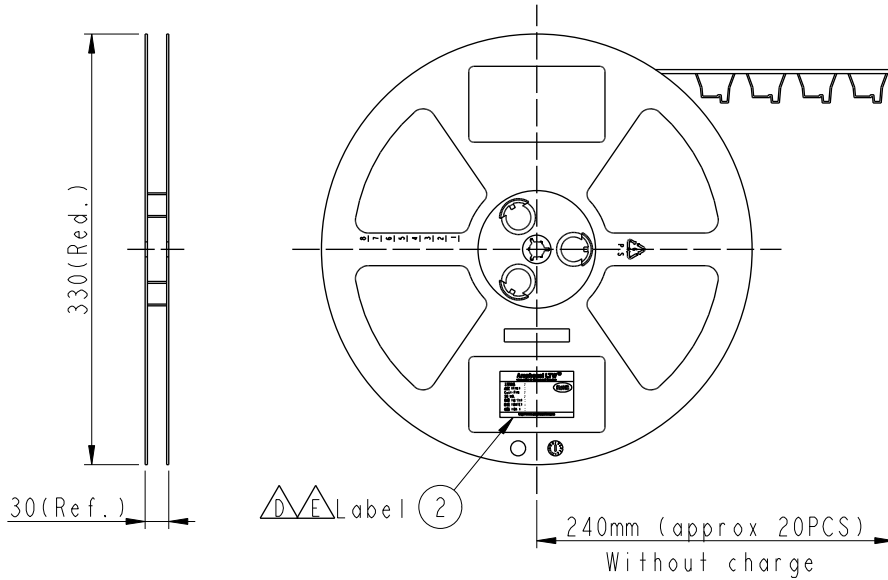
For SMT Process Recommend:



Wide cover tape around
out periphery 1 turn

Peeling strenght 0.1~1.3N Max.
(300±10mm/min)
Peeling angle
165~180°

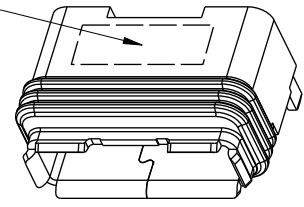
Top of reel



1000 PCS/Reel
With product charge

(approx 20PCS)
240mm
Without charge

SMT Nozzle Area
(6.0x2.0mm)



UNIT: mm		
TOLERANCE	.X	±0.25
	.XX	±0.1
	.XXX	±0.05
ANGLES		±1°

TITLE MICRO USB A&B SMD TYPE			
SCALE	Free	SIZE	A4
		SHEET	2 OF 3
REV.	E	WC-REV.	A.6
		QC	Inspection item

Amphenol LTW
安費諾亮泰企業股份有限公司

ITEM NO	
DWG NO	MUC-20PFFR-JSXX01
CUSTOMER	ALTW

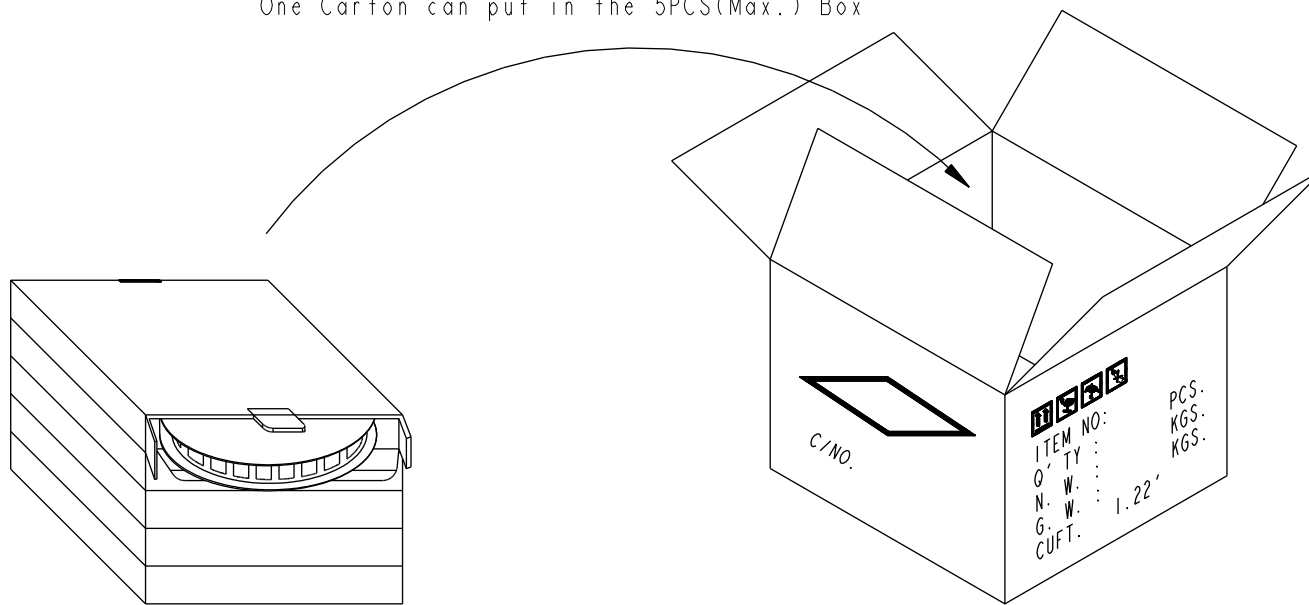
DRAWN BY	Ruru
CHECKED BY	Rita
APPROVED BY	Max

DATE	2017-09-15
DATE	2017-09-15
DATE	2017-09-15

THIS DOCUMENT IS SUBJECT TO CHANGE WITHOUT NOTICE. IT IS CONFIDENTIAL AND A PROPERTY OF Amphenol LTW. DISCLOSURE TO THIRD PARTY HAS TO BE AUTHORIZED BY Amphenol LTW.

Package :

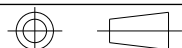
One Carton can put in the 5PCS(Max.) Box



1000 PCS(Connector)/Tape&Reel, Put in a Box

(5,000 PCS/Carton)

UNIT:mm



TOLERANCE
 .X ±0.25
 .XX ±0.1
 .XXX ±0.05
 ANGLES ±1°

TITLE MICRO USB A&B SMD TYPE			
SCALE Free	SIZE A4	SHEET 3 OF 3	
REV. E	WC-REV. A.48	Ⓞ: Inspection item	

Amphenol LTW
 安費諾亮泰企業股份有限公司

ITEM NO	DRAWN BY Ruru	DATE 2017-09-15
DWG NO MUC-20PFFR-JSXX01	CHECKED BY Rita	DATE 2017-09-15
CUSTOMER ALTW	APPROVED BY Max	DATE 2017-09-15