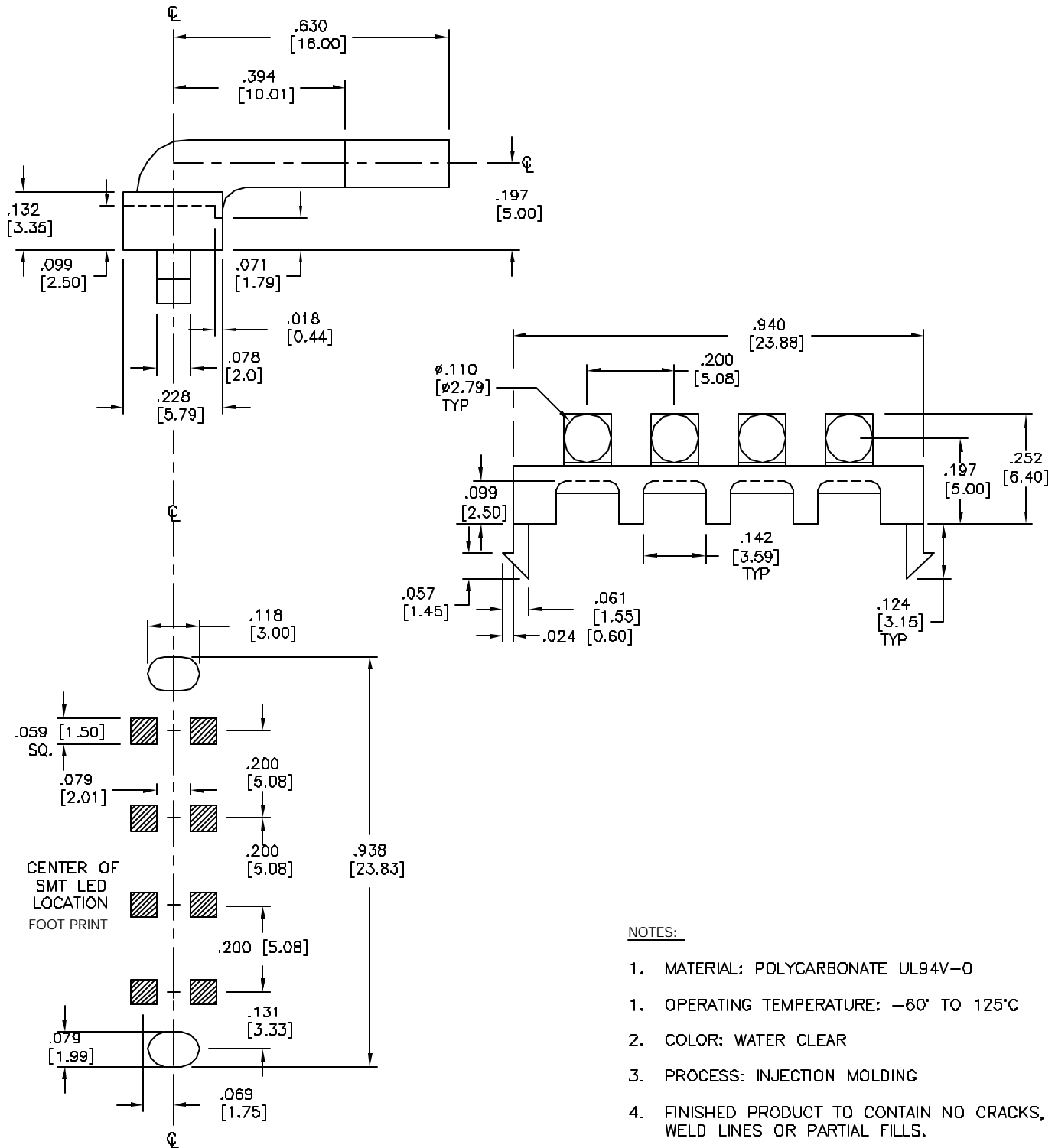


LTR	REVISION	DATE	APPD
-	RELEASED	04-06-04	
A	RVSD PER ECR 042004-PL01	04-20-04	RM



NOTES:

1. MATERIAL: POLYCARBONATE UL94V-0
1. OPERATING TEMPERATURE: -60° TO 125°C
2. COLOR: WATER CLEAR
3. PROCESS: INJECTION MOLDING
4. FINISHED PRODUCT TO CONTAIN NO CRACKS, WELD LINES OR PARTIAL FILLS.

LED[®]
LEDTRONICS, INC.[™]
 23105 KASHIWA COURT
 TORRANCE, CA 90505

PROPRIETARY.
 This document contains Proprietary
 Information of LEDTRONICS, INC.
 It may not be copied, used or disclosed
 for any purpose without the prior express
 written consent of LEDTRONICS, INC.

.XXX±.008 IN. TOLERANCE PER ANSI-Y14.5
 .XXX±.2 [MM] (UNLESS OTHERWISE STATED)
 ANGLES ± 0°.30° ALL DIMENSIONS
 FRACT. ± 1/32 IN INCHES [mm].

TITLE		LTP004-0CW-041	
DWG NO	SCALE	SHEET	DATE
CMMS0269	3:1	1 OF 1	04-06-04
CODE IDENT NO.	DWG BY	CHK BY	QA
8Z410	RM	PL	JCH
		04-20-04	04-20-04
		MFG	CUSTOMER