

LQM32PN1R0MG0#

“#” indicates a package specification code.

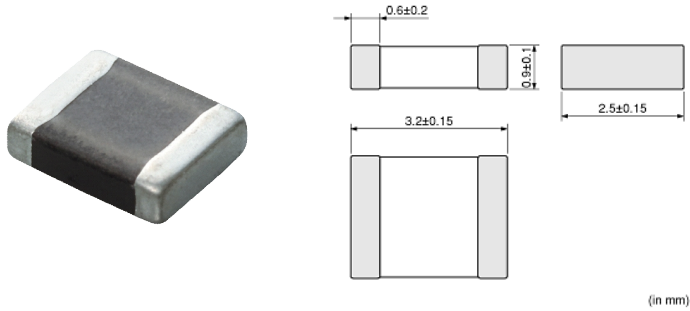
Size Code 3225 (1210) in mm (in inch), 1.0mm max. Thickness



< List of part numbers with package codes >

LQM32PN1R0MG0L LQM32PN1R0MG0B

Appearance & Shape



References

Packaging	Specifications	Minimum Order Quantity
L	180Embossed Tape	3000
B	Bulk(Bag)	1000

Mass (typ.)	
1 piece	0.042g

Attention

1.This datasheet is downloaded from the website of Murata Manufacturing Co., Ltd. Therefore, it's specifications are subject to change or our products in it may be discontinued without advance notice. Please check with our sales representatives or product engineers before ordering.

2.This datasheet has only typical specifications because there is no space for detailed specifications.

Therefore, please review our product specifications or consult the approval sheet for product specifications before ordering.

LQM32PN1R0MG0#

“#” indicates a package specification code.

Specifications

L size	3.2±0.15mm
W size	2.5±0.15mm
T size	0.9±0.1mm
Size code inch (mm)	1210 (3225)
Inductance	1μH±20%
Inductance Test Frequency	1MHz
Rated current (Itemp) (Based on Temperature rise)	1800mA
Max. of DC resistance	0.06Ω
Class of magnetic shield	Ferrite Core
Self resonance frequency (min.)	40MHz
DC Resistance Intermediate Values	0.048Ω±25%
Operating Temperature Range	-40°C to 85°C
Series	LQM32PN_G0

Attention

1.This datasheet is downloaded from the website of Murata Manufacturing Co., Ltd. Therefore, it's specifications are subject to change or our products in it may be discontinued without advance notice. Please check with our sales representatives or product engineers before ordering.

2.This datasheet has only typical specifications because there is no space for detailed specifications.

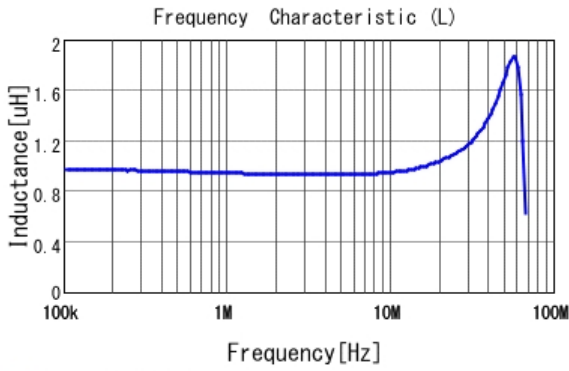
Therefore, please review our product specifications or consult the approval sheet for product specifications before ordering.

LQM32PN1R0MG0#

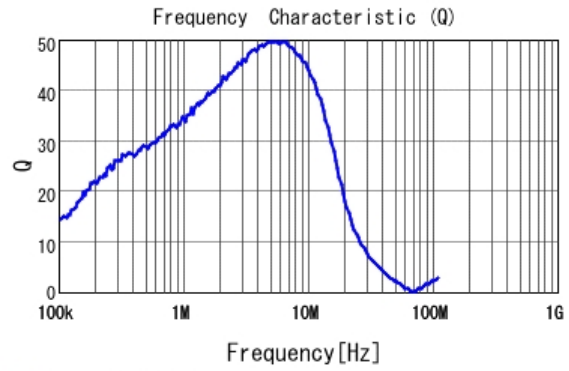
"#" indicates a package specification code.

Characteristic Data

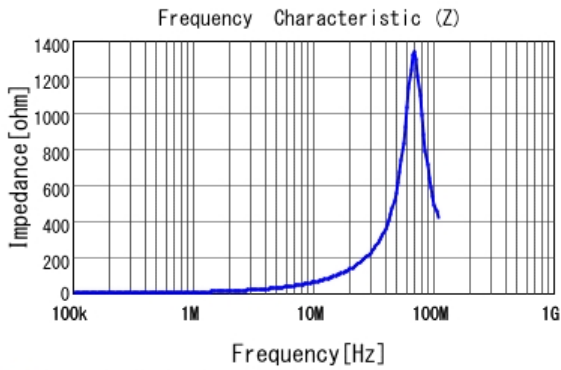
The charts below may show another part number which shares its characteristics.



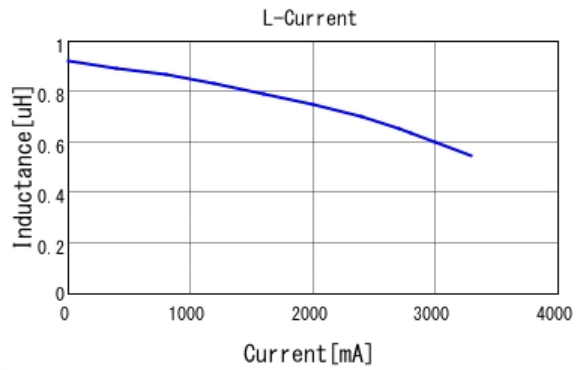
■ LQM32PN1R0MG0 L



■ LQM32PN1R0MG0 Q



■ LQM32PN1R0MG0 |Z|



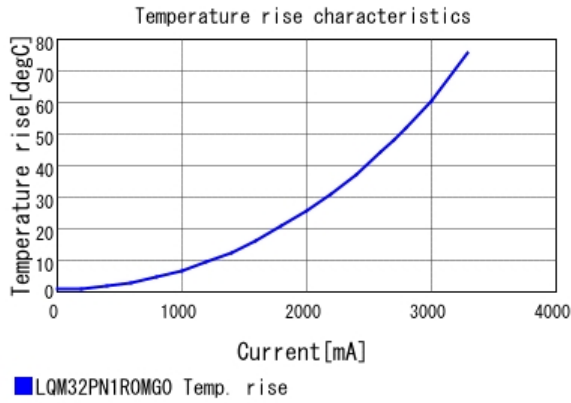
■ LQM32PN1R0MG0 L-Current 20degC

Attention

- 1.This datasheet is downloaded from the website of Murata Manufacturing Co., Ltd. Therefore, it's specifications are subject to change or our products in it may be discontinued without advance notice. Please check with our sales representatives or product engineers before ordering.
 - 2.This datasheet has only typical specifications because there is no space for detailed specifications.
- Therefore, please review our product specifications or consult the approval sheet for product specifications before ordering.

LQM32PN1R0MG0#

“#” indicates a package specification code.



Attention

- 1.This datasheet is downloaded from the website of Murata Manufacturing Co., Ltd. Therefore, it's specifications are subject to change or our products in it may be discontinued without advance notice. Please check with our sales representatives or product engineers before ordering.
- 2.This datasheet has only typical specifications because there is no space for detailed specifications.
Therefore, please review our product specifications or consult the approval sheet for product specifications before ordering.