

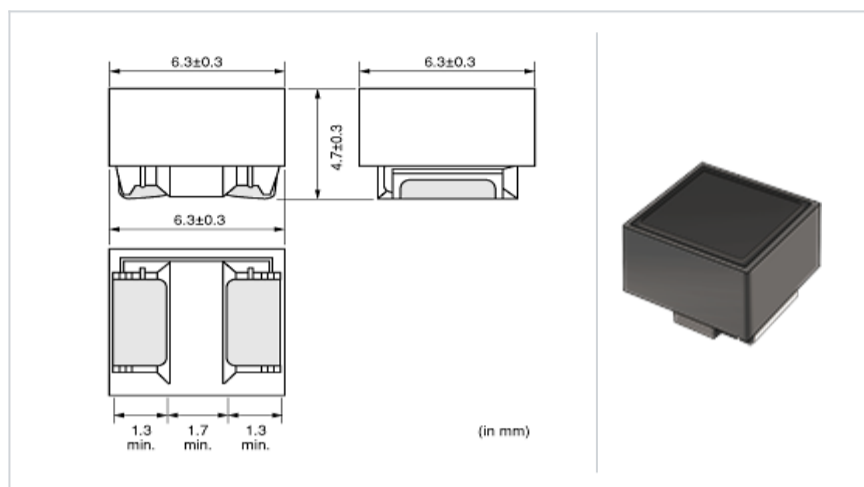
# LQH66SN103M03#

" # " indicates a package specification code.



< List of part numbers with package codes >  
LQH66SN103M03L , LQH66SN103M03K

## Shape



L size	6.3 ± 0.3mm
W size	6.3 ± 0.3mm
T size	4.7 ± 0.3mm
Size code mm (inch)	6363 (2525)

## Specifications

Inductance	10000µH ± 20%
Inductance test frequency	10kHz
Rated current (Itemp) (Based on Temperature rise)	50mA
Max. of DC resistance	55.58
Self resonance frequency (min.)	0.5MHz
Operating temperature range (Self-temperature rise is not included)	-40 ~ +80
Class of magnetic shield	Magnetic shield of ferrite

## References

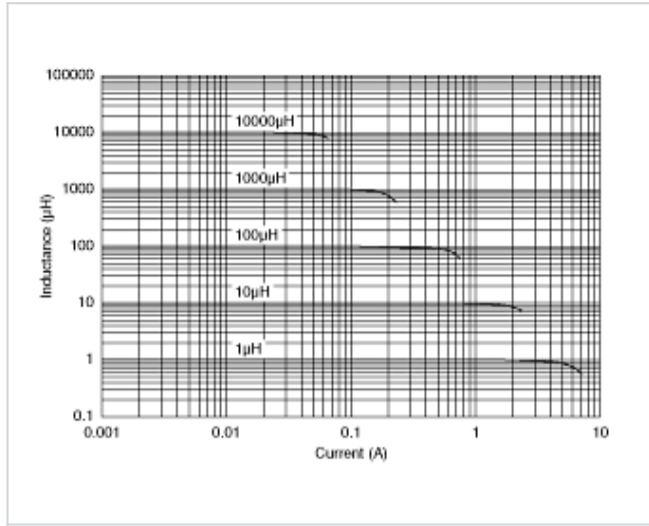
Packaging code	Specifications	Minimum quantity
L	Embossed tape ( 180mm)	350
K	Embossed tape ( 330mm)	1500

Mass (Typ.)	
1 piece	0.71g

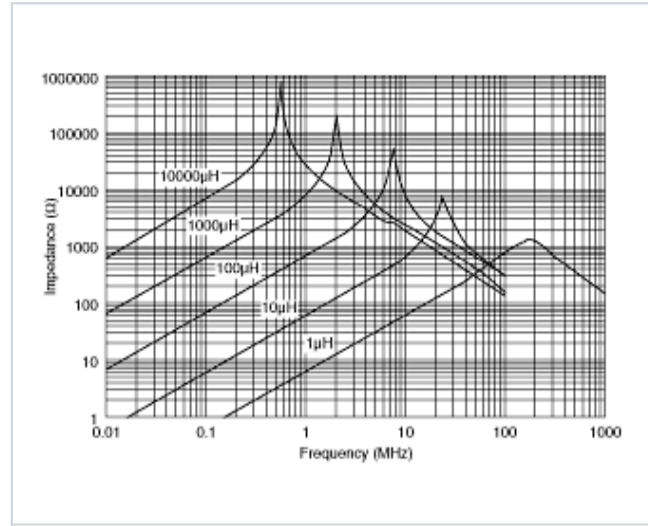
### ⚠ Attention

- 1.This datasheet is downloaded from the website of Murata Manufacturing Co., Ltd. Therefore, it ' s specifications are subject to change or our products in it may be discontinued without advance notice. Please check with our sales representatives or product engineers before ordering.
- 2.This datasheet has only typical specifications because there is no space for detailed specifications. Therefore, please review our product specifications or consult the approval sheet for product specifications before ordering.

▪ Inductance-Current characteristics (Typ.)



▪ Impedance-Frequency characteristics (Typ.)



This PDF data has only typical specifications because there is no space for detailed specifications.

Therefore, please review our product specifications or consult the approval sheet for product specifications before ordering.