

LQH44PH221MPR#

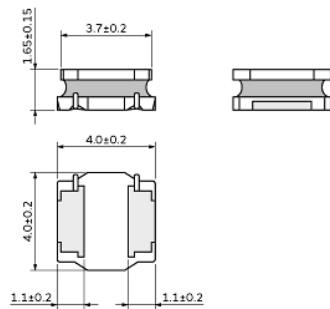
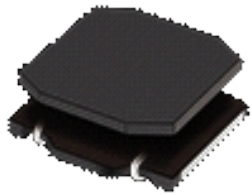
“#” indicates a package specification code.

Size Code 4040 (1515) in mm (in inch), 1.8mm max. Thickness. Low DC resistance design



< List of part numbers with package codes >
LQH44PH221MPRL

Appearance & Shape



(in mm)

Notices

When rated current is applied to the products, inductance will be within $\pm 30\%$ of initial inductance value range. Keep the temperature (ambient temperature plus self-generation of heat) under 125°C . When rated current is applied to the products, the self-temperature rise shall be limited to 40°C max (ambient temperature 85°C). When rated current is applied to the products, the self-temperature rise shall be limited to 20°C max (ambient temperature 85°C to 105°C).

Attention

- 1.This datasheet is downloaded from the website of Murata Manufacturing Co., Ltd. Therefore, it's specifications are subject to change or our products in it may be discontinued without advance notice. Please check with our sales representatives or product engineers before ordering.
 - 2.This datasheet has only typical specifications because there is no space for detailed specifications.
- Therefore, please review our product specifications or consult the approval sheet for product specifications before ordering.

LQH44PH221MPR#

“#” indicates a package specification code.

References

| Packaging | Specifications | Minimum Order Quantity |
|-----------|------------------|------------------------|
| L | 180Embossed Tape | 1000 |

| Mass (typ.) | |
|-------------|--------|
| 1 piece | 0.105g |

Attention

- 1.This datasheet is downloaded from the website of Murata Manufacturing Co., Ltd. Therefore, it's specifications are subject to change or our products in it may be discontinued without advance notice. Please check with our sales representatives or product engineers before ordering.
 - 2.This datasheet has only typical specifications because there is no space for detailed specifications.
- Therefore, please review our product specifications or consult the approval sheet for product specifications before ordering.

LQH44PH221MPR#

“#” indicates a package specification code.

Specifications

| | |
|--|---|
| L size | 4.0±0.2mm |
| W size | 4.0±0.2mm |
| T size | 1.65±0.15mm |
| Size code inch (mm) | 1515 (4040) |
| Inductance | 220μH±20% |
| Inductance Test Frequency | 100kHz |
| Rated current (I _{sat}) (Based on Inductance change) | 330mA |
| Rated current (I _{temp}) (Based on Temperature rise) | 280mA(Ambient temp.85°C)125mA(Ambient temp.105°C) |
| Max. of DC resistance | 3.78Ω |
| Operating Temperature Range (Self-temperature rise is included) | -40°C to 125°C |
| Class of magnetic shield | Magnetic Resin |
| Self resonance frequency (min.) | 4MHz |
| Operating Temperature Range(Self-temperature rise is not included) | -40°C to 105°C |
| DC Resistance Intermediate Values | 3.15Ω±20% |
| Series | LQH44PH_PR |

Attention

- 1.This datasheet is downloaded from the website of Murata Manufacturing Co., Ltd. Therefore, it's specifications are subject to change or our products in it may be discontinued without advance notice. Please check with our sales representatives or product engineers before ordering.
- 2.This datasheet has only typical specifications because there is no space for detailed specifications.
Therefore, please review our product specifications or consult the approval sheet for product specifications before ordering.