

**Features:**

- Provides high power and high saturation
- Provides magnetic shielding against radiation
- Electrode directly connected to ferrite core
- Contact Stackpole for additional inductance values
- Operating temperature 40 ~ 125 °C
- RoHS compliant, lead-free and halogen free



**Applications:**

- Power supply for VTRs
- LCD televisions
- Personal computers
- DC/DC converters

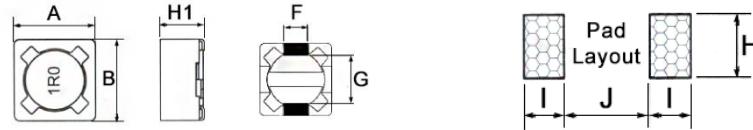
Inductance and Current Ranges		
Type	Inductance (µH)	Current Range (A)
LPCS2624	1.5 ~ 330	3.5 ~ 0.19
LPCS2624...-HP	10 ~ 1000	1.35 ~ 0.14
LPCS2929	1 ~ 1000	7.97 ~ 0.16
LPCS2929...-HP	1 ~ 1000	8 ~ 0.18
LPCS4747...-LP	1.5 ~ 330	8.75 ~ 0.5
LPCS4747	1.3 ~ 1000	8 ~ 0.4
LPCS4747...-MP	1 ~ 1000	10 ~ 0.55
LPCS4747...-HP	1 ~ 1000	17 ~ 0.76
LPCS4747...-HC	2.2 ~ 1000	25.5 ~ 1.14

Electrical specifications at 25°C.

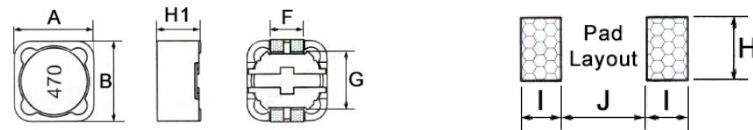
Performance Characteristics	
Item	Specification
Rated DC Current (except for LPCS4747...-MP)	The DC current at which the inductance becomes 25% lower than its initial value or when $\Delta t = 40^\circ\text{C}$ whichever is lower. ( $T_a = 25^\circ\text{C}$ )
Rated DC Current (specific for LPCS4747...-MP)	The DC current at which the inductance becomes 30% lower than its initial value or when $\Delta t = 40^\circ\text{C}$ whichever is lower. ( $T_a = 25^\circ\text{C}$ )
Operating Temperature Range	-40 ~ +125 °C

Mechanical Specifications											
Type / Code	A	B	C	H1 (max)	E	F	G	H	I	J	Unit
LPCS2624	0.244 ± 0.012 6.20 ± 0.30	0.232 ± 0.012 5.90 ± 0.30	0.260 ± 0.012 6.60 ± 0.30	0.118 3.00	0.024 0.60	0.059 1.50	0.181 4.60	0.075 1.90	0.055 1.40	0.181 4.60	inches mm
LPCS2624...-HP	0.244 ± 0.012 6.20 ± 0.30	0.232 ± 0.012 5.90 ± 0.30	0.260 ± 0.012 6.60 ± 0.30	0.197 5.00	0.024 0.60	0.059 1.50	0.181 4.60	0.075 1.90	0.055 1.40	0.181 4.60	inches mm

**Mechanical Specifications**



Type / Code	A	B	H1 (max)	F	G	H	I	J	Unit
LPCS2929	0.287 ± 0.008 7.30 ± 0.20	0.287 ± 0.008 7.30 ± 0.20	0.134 3.40	0.059 1.50	0.197 5.00	0.087 2.20	0.063 1.60	0.189 4.80	inches mm
LPCS2929....-HP	0.287 ± 0.008 7.30 ± 0.20	0.287 ± 0.008 7.30 ± 0.20	0.177 4.50	0.059 1.50	0.197 5.00	0.087 2.20	0.063 1.60	0.189 4.80	inches mm



Type / Code	A	B	H1 (max)	F	G	H	I	J	Unit
LPCS4747....-LP	0.472 ± 0.012 12.00 ± 0.30	0.472 ± 0.012 12.00 ± 0.30	0.177 4.50	0.197 5.00	0.299 7.60	0.213 5.40	0.114 2.90	0.276 7.00	inches mm
LPCS4747	0.472 ± 0.012 12.00 ± 0.30	0.472 ± 0.012 12.00 ± 0.30	0.236 6.00	0.197 5.00	0.299 7.60	0.213 5.40	0.114 2.90	0.276 7.00	inches mm
LPCS4747....-MP	0.472 ± 0.012 12.00 ± 0.30	0.472 ± 0.012 12.00 ± 0.30	0.315 8.00	0.197 5.00	0.299 7.60	0.213 5.40	0.114 2.90	0.276 7.00	inches mm
LPCS4747....-HP	0.472 ± 0.012 12.00 ± 0.30	0.472 ± 0.012 12.00 ± 0.30	0.394 10.00	0.197 5.00	0.299 7.60	0.213 5.40	0.114 2.90	0.276 7.00	inches mm
LPCS4747....-HC	0.472 ± 0.012 12.00 ± 0.30	0.472 ± 0.012 12.00 ± 0.30	0.315 8.00	0.197 5.00	0.299 7.60	0.213 5.40	0.114 2.90	0.276 7.00	inches mm

**Electrical Specifications – 2624(HP), 2929(HP)**

Type / Code	L (µH)	Tolerance	DCR (Ω) max				IDC (A) max			
			2624	2624(HP)	2929	2929(HP)	2624	2624(HP)	2929	2929(HP)
LPCS _ MT1R0	1	20%	-	-	0.016	0.02	-	-	7.97	8
LPCS _ MT1R5	1.5	20%	0.049	-	0.023	0.018	3.5	-	5.5	7
LPCS _ MT2R2	2.2	20%	-	-	0.027	0.028	-	-	4.5	6
LPCS _ MT2R9	2.9	20%	0.07	-	-	-	1.94	-	-	-
LPCS _ MT3R3	3.3	20%	0.075	-	0.031	0.032	1.8	-	4	4.8
LPCS _ MT3R9	3.9	20%	-	-	0.041	0.035	-	-	3.8	4.4
LPCS _ MT4R0	4	20%	0.08	-	-	-	1.63	-	-	-
LPCS _ MT4R7	4.7	20%	0.09	-	0.048	0.038	1.55	-	3.5	4
LPCS _ MT5R5	5.5	20%	0.1	-	-	-	1.4	-	-	-
LPCS _ MT5R6	5.6	20%	-	-	0.056	0.04	-	-	3	3.5
LPCS _ MT6R8	6.8	20%	0.1	-	0.062	0.045	1.3	-	2	3
LPCS _ MT100	10	20%	0.15	0.12	0.072	0.049	1.1	1.35	1.68	1.84
LPCS _ MT120	12	20%	0.2	0.13	0.098	0.058	1	1.22	1.52	1.71
LPCS _ MT150	15	20%	0.23	0.18	0.13	0.081	0.9	1.11	1.33	1.47
LPCS _ MT180	18	20%	0.27	0.24	0.14	0.091	0.8	1.02	1.2	1.31
LPCS _ MT220	22	20%	0.34	0.27	0.19	0.11	0.74	0.91	1.07	1.23
LPCS _ MT270	27	20%	0.38	0.3	0.21	0.15	0.66	0.82	0.96	1.12
LPCS _ MT330	33	20%	0.45	0.33	0.24	0.17	0.59	0.74	0.91	0.96
LPCS _ MT390	39	20%	0.49	0.37	0.32	0.23	0.54	0.69	0.77	0.91
LPCS _ MT470	47	20%	0.69	0.52	0.36	0.26	0.5	0.62	0.76	0.88
LPCS _ MT560	56	20%	0.78	0.56	0.47	0.35	0.46	0.58	0.68	0.75
LPCS _ MT680	68	20%	1.07	0.63	0.52	0.38	0.42	0.51	0.61	0.69
LPCS _ MT820	82	20%	1.21	0.71	0.69	0.43	0.38	0.46	0.57	0.61
LPCS _ MT101	100	20%	1.39	1.03	0.79	0.61	0.34	0.42	0.5	0.6
LPCS _ MT121	120	20%	1.9	1.15	0.89	0.66	0.31	0.38	0.49	0.52
LPCS _ MT151	150	20%	2.18	1.68	1.27	0.88	0.28	0.35	0.43	0.46
LPCS _ MT181	180	20%	2.77	1.87	1.45	0.98	0.26	0.32	0.39	0.42

**Electrical Specifications – 2624(HP), 2929(HP)**

Type / Code	L (µH)	Tolerance	DCR (Ω) max				IDC (A) max			
			2624	2624(HP)	2929	2929(HP)	2624	2624(HP)	2929	2929(HP)
LPCS_MT221	220	20%	3.12	2.08	1.65	1.17	0.23	0.29	0.35	0.36
LPCS_MT271	270	20%	4.38	2.37	2.31	1.64	0.22	0.26	0.32	0.34
LPCS_MT331	330	20%	4.94	2.67	2.62	1.86	0.19	0.23	0.28	0.32
LPCS_MT391	390	20%	-	2.94	2.94	2.85	-	0.22	0.26	0.29
LPCS_MT471	470	20%	-	3.93	4.18	3.01	-	0.2	0.24	0.26
LPCS_MT561	560	20%	-	5.43	4.67	3.62	-	0.18	0.22	0.23
LPCS_MT681	680	20%	-	7.32	5.73	4.63	-	0.17	0.19	0.22
LPCS_MT821	820	20%	-	8.24	6.54	5.2	-	0.15	0.18	0.2
LPCS_MT102	1000	20%	-	9.26	9.44	6	-	0.14	0.16	0.18

**Electrical Specifications – 4747(LP/MP/HP)**

Type / Code	L (µH)	Tolerance	DCR (Ω) max				IDC (A) max			
			4747(LP)	4747	4747(MP)	4747(HP)	4747(LP)	4747	4747(MP)	4747(HP)
LPCS_MT1R0	1.0	20%	-	-	0.007	0.007	-	-	10	17
LPCS_MT1R2	1.2	20%	-	-	0.007	-	-	-	9.8	-
LPCS_MT1R3	1.3	20%	-	0.012	-	-	-	8	-	-
LPCS_MT1R5	1.5	20%	0.008	-	-	0.005	8.75	-	-	16
LPCS_MT1R8	1.8	20%	-	-	0.011	-	-	-	8.5	-
LPCS_MT2R1	2.1	20%	-	0.014	-	-	-	7	-	-
LPCS_MT2R2	2.2	20%	-	0.014	0.01	-	-	7	8.5	-
LPCS_MT2R4	2.4	20%	-	-	0.012	0.006	-	-	8	15
LPCS_MT2R5	2.5	20%	0.013	-	-	-	8	-	-	-
LPCS_MT2R7	2.7	20%	-	-	0.012	-	-	-	8	-
LPCS_MT3R1	3.1	20%	-	0.017	-	-	-	6	-	-
LPCS_MT3R3	3.3	20%	0.015	0.014	0.013	0.009	6.5	6.75	7.8	14
LPCS_MT3R5	3.5	20%	-	-	0.014	0.009	-	-	7.5	14
LPCS_MT3R9	3.9	20%	0.015	-	-	-	0.65	-	-	-
LPCS_MT4R4	4.4	20%	-	0.02	-	-	-	5	-	-
LPCS_MT4R7	4.7	20%	0.018	0.018	0.016	-	5.7	6.2	6.8	-
LPCS_MT5R6	5.6	20%	-	-	0.014	-	-	-	6.7	-
LPCS_MT5R8	5.8	20%	-	0.021	-	-	-	4.4	-	-
LPCS_MT6R1	6.1	20%	-	-	0.018	-	-	-	6.6	-
LPCS_MT6R8	6.8	20%	0.023	0.023	0.014	0.013	4.9	5.9	6.4	10
LPCS_MT7R5	7.5	20%	-	0.024	-	-	-	4.2	-	-
LPCS_MT7R6	7.6	20%	-	-	0.02	-	-	-	5.9	-
LPCS_MT8R2	8.2	20%	0.026	-	0.016	0.015	4.6	-	6.32	8.2
LPCS_MT100	10	20%	0.028	0.025	0.022	0.018	4.5	4	5.4	7.5
LPCS_MT120	12	20%	0.038	0.027	0.024	0.019	4	3.5	4.9	7
LPCS_MT150	15	20%	0.05	0.03	0.027	0.024	3.2	3.3	4.5	6
LPCS_MT180	18	20%	0.057	0.034	0.039	0.031	3.1	3	3.9	5.5
LPCS_MT220	22	20%	0.066	0.036	0.043	0.039	2.9	2.8	3.6	5
LPCS_MT270	27	20%	0.08	0.051	0.046	0.045	2.8	2.3	3.4	4.5
LPCS_MT330	33	20%	0.097	0.057	0.065	0.05	2.7	2.1	3	4
LPCS_MT390	39	20%	0.132	0.068	0.073	0.059	2.1	2	2.75	3.8
LPCS_MT470	47	20%	0.15	0.075	0.1	0.069	1.9	1.8	2.5	3.5
LPCS_MT560	56	20%	0.19	0.11	0.11	0.079	1.8	1.7	2.35	3.2
LPCS_MT680	68	20%	0.22	0.12	0.14	0.088	1.5	1.5	2.1	3
LPCS_MT820	82	20%	0.26	0.14	0.16	0.11	1.3	1.4	1.95	2.6
LPCS_MT101	100	20%	0.308	0.16	0.22	0.14	1.2	1.3	1.7	2.2
LPCS_MT121	120	20%	0.38	0.17	0.25	0.16	1.1	1.1	1.6	2
LPCS_MT151	150	20%	0.53	0.23	0.28	0.2	0.95	1	1.42	1.8
LPCS_MT181	180	20%	0.62	0.29	0.35	0.27	0.85	0.9	1.3	1.6
LPCS_MT221	220	20%	0.7	0.4	0.39	0.3	0.8	0.8	1.16	1.5
LPCS_MT271	270	20%	0.876	0.46	0.56	0.4	0.6	0.75	1.06	1.3

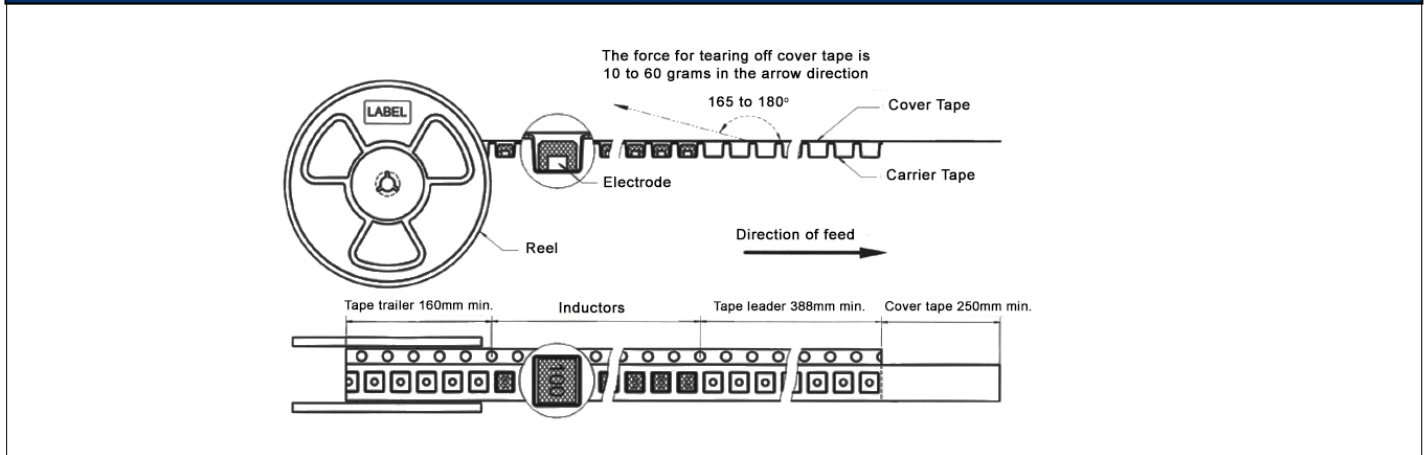
**Electrical Specifications – 4747(LP/MP/HP) (cont.)**

Type / Code	L (μH)	Tolerance	DCR (Ω) max				IDC (A) max			
			4747(LP)	4747	4747(MP)	4747(HP)	4747(LP)	4747	4747(MP)	4747(HP)
LPCS_MT331	330	20%	0.99	0.51	0.64	0.45	0.5	0.68	0.95	1.2
LPCS_MT391	390	20%	-	0.69	0.7	0.55	-	0.65	0.88	1.1
LPCS_MT471	470	20%	-	0.77	0.98	0.6	-	0.58	0.79	1
LPCS_MT561	560	20%	-	0.86	1.07	0.7	-	0.54	0.73	0.9
LPCS_MT681	680	20%	-	1.2	1.46	0.84	-	0.48	0.67	0.82
LPCS_MT821	820	20%	-	1.34	1.64	1.06	-	0.43	0.6	0.8
LPCS_MT102	1000	20%	-	1.53	1.82	1.27	-	0.4	0.55	0.76

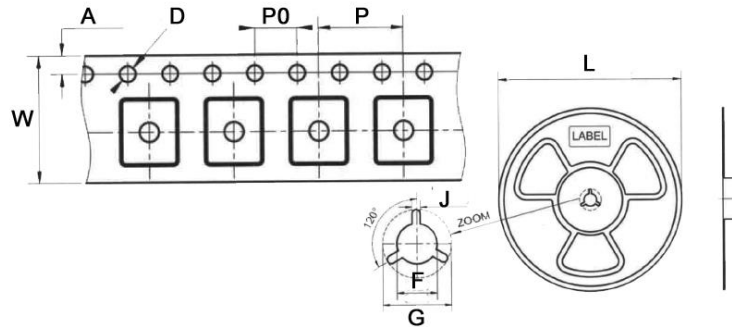
**Electrical Specifications – 4747(HC)**

Type / Code	L (μH)	Tolerance	DCR (Ω) max	IDC (A) max
LPCS4747MT2R2-HC	2.2	20%	0.007	25.5
LPCS4747MT4R7-HC	4.7	20%	0.016	15.9
LPCS4747MT5R6-HC	5.6	20%	0.02	14
LPCS4747MT6R8-HC	6.8	20%	0.021	13.3
LPCS4747MT8R2-HC	8.2	20%	0.023	12.2
LPCS4747MT100-HC	10	20%	0.024	11.2
LPCS4747MT150-HC	15	20%	0.031	9
LPCS4747MT180-HC	18	20%	0.035	5.1
LPCS4747MT220-HC	22	20%	0.04	7.57
LPCS4747MT330-HC	33	20%	0.07	6.22
LPCS4747MT390-HC	39	20%	0.075	4.5
LPCS4747MT470-HC	47	20%	0.08	5.28
LPCS4747MT560-HC	56	20%	0.13	4.5
LPCS4747MT680-HC	68	20%	0.105	4.26
LPCS4747MT820-HC	82	20%	0.143	3.8
LPCS4747MT101-HC	100	20%	0.163	3.52
LPCS4747MT121-HC	120	20%	0.17	1.9
LPCS4747MT151-HC	150	20%	0.247	3.01
LPCS4747MT221-HC	220	20%	0.376	2.36
LPCS4747MT331-HC	330	20%	0.574	2
LPCS4747MT391-HC	330	20%	0.65	1.5
LPCS4747MT471-HC	470	20%	0.861	1.64
LPCS4747MT681-HC	680	20%	1.08	1.38
LPCS4747MT821-HC	820	20%	1.47	1.26
LPCS4747MT102-HC	1000	20%	1.66	1.14

**Packaging Specifications**



**Packaging Specifications**



Type / Code	A	D	P0	P	W	F	G	J	L	Unit
LPCS2624	0.069 ± 0.004 1.75 ± 0.10	0.059 ± 0.004 1.50 ± 0.10	0.157 ± 0.004 4.00 ± 0.10	0.472 12.00	0.630 16.00	0.512 ± 0.039 13.00 ± 1.00	0.906 ± 0.039 23.00 ± 1.00	0.098 ± 0.020 2.50 ± 0.50	12.992 ± 7.008 330.00 ± 178.00	Inches mm
LPCS2624...-HP	0.069 ± 0.004 1.75 ± 0.10	0.059 ± 0.004 1.50 ± 0.10	0.157 ± 0.004 4.00 ± 0.10	0.472 12.00	0.630 16.00	0.512 ± 0.039 13.00 ± 1.00	0.906 ± 0.039 23.00 ± 1.00	0.098 ± 0.020 2.50 ± 0.50	12.992 ± 7.008 330.00 ± 178.00	Inches mm
LPCS2929	0.069 ± 0.004 1.75 ± 0.10	0.059 ± 0.004 1.50 ± 0.10	0.157 ± 0.004 4.00 ± 0.10	0.472 12.00	0.630 16.00	0.512 ± 0.039 13.00 ± 1.00	0.906 ± 0.039 23.00 ± 1.00	0.098 ± 0.020 2.50 ± 0.50	12.992 ± 7.008 330.00 ± 178.00	Inches mm
LPCS2929...-HP	0.069 ± 0.004 1.75 ± 0.10	0.059 ± 0.004 1.50 ± 0.10	0.157 ± 0.004 4.00 ± 0.10	0.472 12.00	0.630 16.00	0.512 ± 0.039 13.00 ± 1.00	0.906 ± 0.039 23.00 ± 1.00	0.098 ± 0.020 2.50 ± 0.50	12.992 ± 7.008 330.00 ± 178.00	Inches mm
LPCS4747...-LP	0.069 ± 0.004 1.75 ± 0.10	0.059 ± 0.004 1.50 ± 0.10	0.157 ± 0.004 4.00 ± 0.10	0.630 16.00	0.945 24.00	0.512 ± 0.039 13.00 ± 1.00	0.906 ± 0.039 23.00 ± 1.00	0.098 ± 0.020 2.50 ± 0.50	12.992 ± 7.008 330.00 ± 178.00	Inches mm
LPCS4747	0.069 ± 0.004 1.75 ± 0.10	0.059 ± 0.004 1.50 ± 0.10	0.157 ± 0.004 4.00 ± 0.10	0.630 16.00	0.945 24.00	0.512 ± 0.039 13.00 ± 1.00	0.906 ± 0.039 23.00 ± 1.00	0.098 ± 0.020 2.50 ± 0.50	12.992 ± 7.008 330.00 ± 178.00	Inches mm
LPCS4747...-MP	0.069 ± 0.004 1.75 ± 0.10	0.059 ± 0.004 1.50 ± 0.10	0.157 ± 0.004 4.00 ± 0.10	0.630 16.00	0.945 24.00	0.512 ± 0.039 13.00 ± 1.00	0.906 ± 0.039 23.00 ± 1.00	0.098 ± 0.020 2.50 ± 0.50	12.992 ± 7.008 330.00 ± 178.00	Inches mm
LPCS4747...-HP	0.069 ± 0.004 1.75 ± 0.10	0.059 ± 0.004 1.50 ± 0.10	0.157 ± 0.004 4.00 ± 0.10	0.630 16.00	0.945 24.00	0.512 ± 0.039 13.00 ± 1.00	0.906 ± 0.039 23.00 ± 1.00	0.098 ± 0.020 2.50 ± 0.50	12.992 ± 7.008 330.00 ± 178.00	Inches mm
LPCS4747...-HC	0.069 ± 0.004 1.75 ± 0.10	0.059 ± 0.004 1.50 ± 0.10	0.157 ± 0.004 4.00 ± 0.10	0.630 16.00	0.945 24.00	0.512 ± 0.039 13.00 ± 1.00	0.906 ± 0.039 23.00 ± 1.00	0.098 ± 0.020 2.50 ± 0.50	12.992 ± 7.008 330.00 ± 178.00	Inches mm

**Environmental Specifications - General**

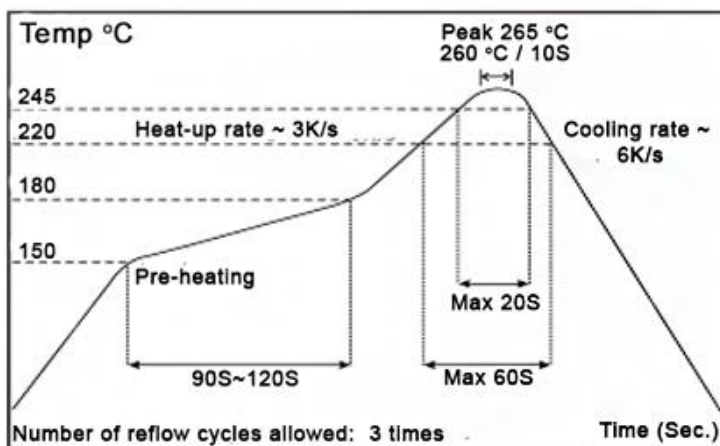
Item	Specification
Shelf Storage Conditions	Temperature range: 25 ± 3 °C. Humidity: < 80% relative humidity. Recommended product should be used within six months from the time of delivery.
Storage Temperature Range	Temperature range: -40 °C to +85 °C

**Environmental Tests**

Test	Test Specification	Test Condition
High Temperature Storage Test	No case deformation or change in appearance. Δ L/L ≤ 10%	Temperature 85 ± 2 °C Time: 48 ± 2 hours Tested after 1 hour at room temperature
Low Temperature Storage Test		Temperature -25 ± 2 °C Time: 48 ± 2 hours Tested after 1 hour at room temperature
Humidity Test		Temperature 40 ± 2 °C, 90 ~ 95% relative humidity Time: 96 ± 2 hours Tested after 1 hour at room temperature
Thermal Shock Test		First -25 °C 30 minutes, then 25 °C 10 minutes, last 85 °C 30 minutes, as 1 cycle. Go through 5 cycles. Tested after 1 hour at room temperature

Mechanical Tests		
Test	Test Specification	Test Condition
Solderability Test	Terminal area must have 90% minimum solder coverage	Dip pads in flux then dip in solder pot (SnCuNi) at $245 \pm 5$ °C for 3 seconds
Resistance to Soldering Heat	No case deformation or change in appearance	Flux should cover the whole of the sample before heating, then be preheated for about 2 minutes over temperature of 130 ~ 150 °C. immersing to $260 \pm 5$ °C for 10 seconds
Vibration Test	No case deformation or change in appearance $\Delta L/L \leq 10\%$	Apply frequency 10~55 Hz 1.5 mm amplitude in each of perpendicular direction for 2 hours
Shock Resistance		Drop down with $981 \text{ m/s}^2$ (100 G) shock attitude upon a rubber block method shock testing machine for 1 time in each of three orientations

Reflow Chart:



RoHS Compliance

Stackpole Electronics has joined the worldwide effort to reduce the amount of lead in electronic components and to meet the various regulatory requirements now prevalent, such as the European Union’s directive regarding “Restrictions on Hazardous Substances” (RoHS 3). As part of this ongoing program, we periodically update this document with the status regarding the availability of our compliant components. All our standard part numbers are compliant to EU Directive 2011/65/EU of the European Parliament as amended by Directive (EU) 2015/863/EU as regards the list of restricted substances.

RoHS Compliance Status						
Standard Product Series	Description	Package / Termination Type	Standard Series RoHS Compliant	Lead-Free Termination Composition	Lead-Free Mfg. Effective Date (Std Product Series)	Lead-Free Effective Date Code (YY/WW)
LPCS	Shielded SMD Power Inductor	SMD	YES	100% Matte Sn	Aug-05	05/31

“Conflict Metals” Commitment

We at Stackpole Electronics, Inc. are joined with our industry in opposing the use of metals mined in the “conflict region” of the eastern Democratic Republic of the Congo (DRC) in our products. Recognizing that the supply chain for metals used in the electronics industry is very complex, we work closely with our own suppliers to verify to the extent possible that the materials and products we supply do not contain metals sourced from this conflict region. As such, we are in compliance with the requirements of Dodd-Frank Act regarding Conflict Minerals.

**Compliance to “REACH”**

We certify that all passive components supplied by Stackpole Electronics, Inc. are SVHC (Substances of Very High Concern) free and compliant with the requirements of EU Directive 1907/2006/EC, “The Registration, Evaluation, Authorization and Restriction of Chemicals”, otherwise referred to as REACH. Contact us for complete list of REACH Substance Candidate List.

**Environmental Policy**

It is the policy of Stackpole Electronics, Inc. (SEI) to protect the environment in all localities in which we operate. We continually strive to improve our effect on the environment. We observe all applicable laws and regulations regarding the protection of our environment and all requests related to the environment to which we have agreed. We are committed to the prevention of all forms of pollution.

**How to Order**

1	2	3	4	5	6	7	8	9	10	11	12	13	14	15	16
L	P	C	S	2	6	2	4	M	T	1	R	1	-	H	P

Product Series		Size		Tolerance		Packaging				Inductance		Special	
Code	Description	Code	Dimension (mm)	Code	Tol	Code	Description	Size	Quantity	Code	Inductance	Code	Description
LPCS	SMD Shielded Power Inductor	2624	6.2 x 6.6 x 3	M	20%	T	13" Tape and Reel	2624	1,500	1R1	1.1 uH	(blank)	Standard
		2624 (HP)	6.2 x 6.6 x 5					2624 (HP)		470	47 uH	-LP	Low Profile
		2929	7.3 x 7.3 x 3.4					2929	1,000	101	100 uH	-MP	Mid Profile
		2929 (HP)	7.3 x 7.3 x 4.5					2929 (HP)				-HP	High Profile
		4747 (LP)	12 x 12 x 4.5					4747 (LP)	500			-HC	High Current
		4747	12 x 12 x 6					4747					
		4747 (MP)	12 x 12 x 8					4747 (MP)	400				
		4747 (HP)	12 x 12 x 10					4747 (HP)	300				
		4747 (HC)	12 x 12 x 8					4747 (HC)	500				

**Legacy Part Number:**

1	2	3	4	5	6	7	8	9	10	11
P	C	S	6	2	B	M	T	1	0	1

Product Series		Code	Dimensions (mm)	Tolerance		Packaging				Inductance	
				Code	Tol	Code	Description	Size	Quantity	Code	Inductance
PCS	Standard	62B	6.2x6.6x3.0	M	20%	T	13" Tape and Reel	62B	1,500	1R1	1.1 uH
PCSH	High Current	64B	6.2x6.6x5.0	P	+40%-20%			64B, 73, 74	1,000	470	47 uH
		73	7.3x7.3x3.4					124	500	101	100 uH
		74	7.3x7.3x4.5					125, 127	400		
		124	12x12x4.5					H127	500		
		125	12x12x6.0								
		127	12x12x8.0								