

Pushbuttons and selector switches

Ø22mm

Quality touch!

Lovato electric

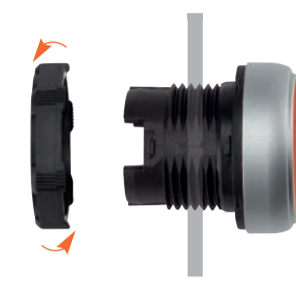
PLatinum Series



HIGH DEGREE OF PROTECTION
IEC IP66, IP67, IP69K and UL TYPE 4X
The actuators have been tested to ensure a degree of protection per IEC IP66, IP67, IP69K and UL Type 4X, appropriate for use even in extreme ambient conditions.

CUSTOMISING CAPABILITY
To simplify stock management, the new series allows quick replacement of the actuator cap or lens of spring return types since these are also sold as accessories.

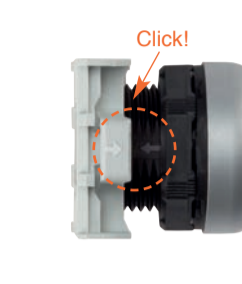
QUICK AND EASY ACTUATOR INSTALLATION



Actuator fixing on the mounting surface, through a Ø22mm drilled hole, is obtained using its **threaded ring**, easily rotated by hand or by socket spanner/wrench.



Presence on the operator of an **anti-rotation fastener** collapsing inside the seal to allow fitting even when holes do not have a reference index
The sealing gasket for the actuator mounting surface has a gripping action (suction effect) offering additional **adhesion properties**.



Clearly visible reference indications making the snap-on fitting between the two easy and intuitive.



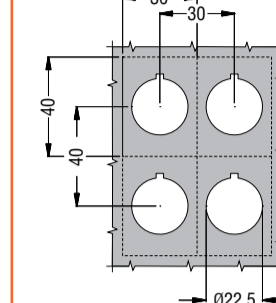
Electrical contacts and LED lamp holders are **snapped** onto the mounting adapter.

CONTACT ELEMENTS

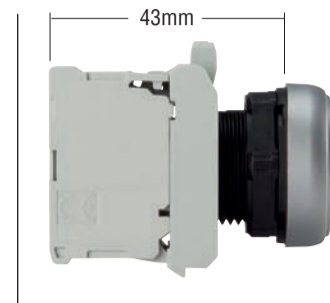


Miniaturised size
High electric conductivity - 5V 1mA
Up to 9 contacts elements can be installed, 3 rows of 3 elements
Screw or faston termination
Contact operation: double breaking action, direct opening operation and wiping effect.

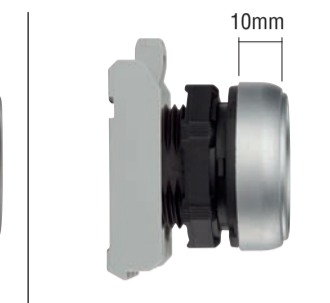
REDUCED DIMENSIONS AND INTERAXIS



Minimum 30x40mm pitch between two actuators on a mounting surface
Minimum pitch between drilled holes for double and triple touch actuators is 30x55mm.



Total depth, from the external mounting surface to the end of the first contact element is only **43mm**.



Low actuator profile.
The external actuator bezel has a low profile and reduced front thickness.

Spring return pushbuttons

FLUSH	
LPC B10...	● 2
	● 3
	● 4
	● 5
	● 6
	● 8

EXTENDED	
LPC B20...	● 2
	● 3
	● 4
	● 5
	● 6
	● 8

SHROUDED	
LPC B30...	● 2
	● 3
	● 4
	● 5
	● 6
	● 8

Spring return mechanical reset buttons	
LPC R100...	● 2
	● 3
	● 4
	● 6

FLUSH WITH SYMBOL	
LPC R11...	RESET ● 96

Push-push buttons

FLUSH	
LPC Q10...	● 2
	● 3
	● 4
	● 5
	● 6
	● 8

EXTENDED	
LPC Q20...	● 2
	● 3
	● 4
	● 5
	● 6
	● 8

Spring return pushbuttons with symbol

FLUSH	
LPC B11...	● 02
	● 04
	● 13
	● 18
	● 23
	● 28
	● 32
	● 34
	● 42
	● 58
	● 63
	● 68
	● 76
	● 78
	● 82
	● 96

EXTENDED	
LPC B21...	● 02
	● 04
	● 32
	● 34

Illuminated spring return pushbuttons

FLUSH	
LPC BL10...	● 3
	● 4
	● 5
	● 6
	● 7

EXTENDED	
LPC BL20...	● 3
	● 4
	● 5
	● 6
	● 7

Knob selector switches

LPC S1...	
2 POSITION	▽ 20
3 POSITION	▽ 30
4 POSITION	▽ 31
5 POSITION	▽ 32
6 POSITION	▽ 33

Key selector switches

LPC S3...	
2 POSITION	▽ 20
3 POSITION	▽ 21
4 POSITION	▽ 30
5 POSITION	▽ 31
6 POSITION	▽ 32
7 POSITION	▽ 33
8 POSITION	▽ 50
9 POSITION	▽ 60
10 POSITION	▽ 70
11 POSITION	▽ 80
12 POSITION	▽ 90

Illuminated push-push buttons

FLUSH	
LPC QL10...	● 3
	● 4
	● 5
	● 6
	● 7

EXTENDED	
LPC QL20...	● 3
	● 4
	● 5
	● 6
	● 7

Illuminated knob selector switches

LPC SL12...	
2 POSITION	▽ 03
3 POSITION	▽ 04
4 POSITION	▽ 05
5 POSITION	▽ 06
6 POSITION	▽ 08
7 POSITION	▽ 13
8 POSITION	▽ 14
9 POSITION	▽ 15
10 POSITION	▽ 16
11 POSITION	▽ 18

3 POSITION

LPC SL13...	
2 POSITION	▽ 23
3 POSITION	▽ 24
4 POSITION	▽ 25
5 POSITION	▽ 26
6 POSITION	▽ 28
7 POSITION	▽ 33
8 POSITION	▽ 34
9 POSITION	▽ 35
10 POSITION	▽ 36
11 POSITION	▽ 38

Pilot light heads

LPL...	
● 3	● 4
● 5	● 6
● 7	● 8
transp. ○ 7	transp. ○ 1187

LED integrated monoblock pilot lights, steady light

8 LP2T IL...P	
12VAC/DC	● A3
	● A4
	● A5
	● A6
	● A8
transp. ○ A8	

24VAC/DC

LPC B71...	
● 12	● 13
● 14	● 22
● 23	● 24
● 33	

110VAC

LPC B71...	
● 12	● 13
● 14	● 22
● 23	● 24
● 33	

230VAC

LPC B71...	
● M3	● M4
● M5	● M6
● M8	● M8
transp. ○ M8	

Spring return double-touch buttons 2 FLUSH PUSHBUTTONS

LPC B71...	
● 12	● 13
● 14	● 22
● 23	● 24
● 33	

1 EXT. AND 1 FLUSH PUSHBUTTONS

LPC B72...	
● 12	● 13
● 14	● 22
● 23	● 24
● 33	

Spring return double-touch pushbuttons with white indicator 2 FLUSH PUSHBUTTONS

LPC BL71...	
● 12	● 13
● 14	● 22
● 23	● 24
● 33	

1 EXT. AND 1 FLUSH PUSHBUTTONS

LPC BL71...	
● 12	● 13
● 14	● 22
● 23	● 24
● 33	

Pulse-tone monoblock buzzers

8 LP2T ZG...	
24VAC/DC	● B
110VAC/DC	● E
230VAC	● M

Spring return triple-touch pushbuttons

LPC B73...	
● 45	● 65
● 55	● 75

Mushroom head pushbuttons

LPC B614...	
● 2	● 3
● 4	● 5
● 6	● 8

LATCH, PULL TO RELEASE 040mm. For emergency stopping. ISO 13850 compliant.

LPC B674...	
● 4	

LATCH, TURN TO RELEASE 040mm. For emergency stopping. ISO 13850 compliant.

LPC B664...	
● 4	

LATCH, TURN KEY TO RELEASE 040mm. For emergency stopping. ISO 13850 compliant.

LPC B684...	
● 4	

Illuminated mushroom head pushbuttons

LPC BL614...	
● 3	● 4
● 5	● 6
● 8	● 8

Spring return 040mm

LPC B616...	
● 2	● 3
● 4	● 5
● 6	● 8

LATCH, TURN TO RELEASE 040mm. For emergency stopping. ISO 13850 compliant.

LPC B634...	
● 2	● 4

LATCH, TURN TO RELEASE 030mm. For emergency stopping. ISO 13850 compliant.

LPC B663...	
● 4	

LATCH, TURN KEY TO RELEASE 040mm. For emergency stopping. ISO 13850 compliant.

LPC B684...	
● 4	

Mounting adapter

LPX AU120	
-----------	--

Contact elements

SCREW TERMINATION	
LPX C...	10
	10A
	01
	01D

SCREW TERMINATION. COMPLETE WITH MOUNTING ADAPTER (LPX AU120)

LPX E...	
10	
01	

FASTON TERMINATION

LPX CF10	
10	
01	

LED integrated lamp-holders

STEADY LIGHT, PROTECTED VERSION	
LPX LP...	● B3
	● B4
	● B5
	● B6
	● B8
12...30VAC/DC	● E3
	● E4
	● E5
	● E6
	● E8

STEADY LIGHT, NON-PROTECTED VERSION

LPX LE...	
● B3	● B4
● B5	● B6
● B8	● B8
85...140VAC	● E3
	● E4
	● E5
	● E6
	● E8

FLASHING LIGHT, PROTECTED VERSION

LPX LF...	
● B3	● B4
● B5	● B6
● B8	● B8
18...30VAC/DC	● E3
	● E4
	● E5
	● E6
	● E8

Joysticks

WITHOUT MECHANICAL INTERLOCK	
8 LM2T J...	200 201 400 401
WITH MECHANICAL INTERLOCK IN CENTRE POSITION	
8 LM2T J...	210 211 410 411

Empty control station

8 L2PP...	
● 1A5	● 1A5
● 2A8	● 2A8
● 3A8	● 3A8
● 4A8	● 4A8
● 5A8	● 5A8

Control station complete with 1 pushbutton

LPP 188 01	
(with LPC B6744 actuator)	
LPP 188 02	
(with LPC B6344 actuator)	
LPP 185 02	
(with LPC B6344 actuator)	
LPP 185 03	
(with LPC B6644 actuator)	

Order code	Description
LPX B0	Spring return actuator without cap for flush, extended illuminated and non types
LPX B3	Spring return actuator without cap for shrouded type
LPX A127	Transparent diffuser for double-touch button
LPX A140	Action plug for centre contact
LPX A150	Rod for mechanical reset button (l=150mm)
LPX A170	Spare standard key set for selector switches or mushroom-head buttons
LPX A170R0	Spare key set for selector switches or mushroom head buttons, LPC...R type

Order code	Description
LPX B102	Flush cap for spring return and push-push actuators
LPX B103	Black
LPX B104	Green
LPX B105	Red
LPX B106	Yellow
LPX B108	Blue
LPX B108	White

Order code	Description
LPX BL105	Flush lens for illuminated spring return and push-push actuators
LPX BL203	Extended lens for illuminated spring return and push-push actuators
LPX BL204	Black
LPX BL205	Green
LPX BL206	Red
LPX BL208	Yellow
LPX BL208	Blue
LPX BL208	White

Order code	Description
LPX AU100	Label holder for blank or engraved plastic LPX AU109 label
LPX AU108	Engrawable silver plastic label to use with LPX AU100 holder
LPX AU108	Label holder for blank or engraved LPX AU108 label
LPX AU108	Engrawable silver plastic label to use with LPX AU108 holder
LPX AU130	Rubber boot for flush and illuminated flush pushbuttons
LPX AU140	Rubber boot for extended and illuminated extended pushbuttons
LPX AU157	Rubber boot for double and triple-touch buttons, transparent
LPX AU167	Rubber boot for mushroom head buttons, transparent
LPX AU158	Padlockable protection, 06-8mm locks for latch e-stop buttons (except LPC B634...)
8 LM2T A130	Threaded plug for unused drilled holes
8 LM2T A161	030mm hole size adapter set for 22mm (use 2 per hole)
8 LM2T A185	Selector protection shroud for knob type only
8 LM2T A200	Socket spanner/wrench for fixing ring fitting

Order code	Description
LPX AU100	Label holder for blank or engraved plastic LPX AU109 label
LPX AU108	Engrawable silver plastic label to use with LPX AU100 holder
LPX AU108	Label holder for blank or engraved LPX AU108 label
LPX AU108	Engrawable silver plastic label to use with LPX AU108 holder
LPX AU130	Rubber boot for flush and illuminated flush pushbuttons
LPX AU140	Rubber boot for extended and illuminated extended pushbuttons
LPX AU157	Rubber boot for double and triple-touch buttons, transparent
LPX AU167	Rubber boot for mushroom head buttons, transparent
LPX AU158	Padlockable protection, 06-8mm locks for latch e-stop buttons (except LPC B634...)
8 LM2T A130	Threaded plug for unused drilled holes