

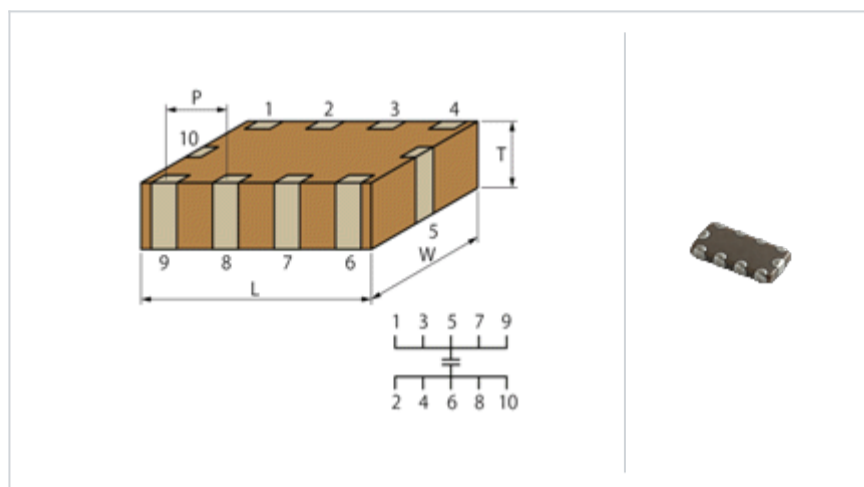
# LLM215R70J474MA11#

"#" indicates a package specification code.



< List of part numbers with package codes >  
LLM215R70J474MA11L , LLM215R70J474MA11K

## Shape



L size	2.0 ± 0.1mm
W size	1.25 ± 0.1mm
T size	0.5 +0.05/-0.1mm
Distance between external terminals P	0.5 ± 0.05mm
Size code in inch(mm)	0805 (2012)

## Specifications

Capacitance	0.47μF ± 20%
Rated voltage	6.3Vdc
Temperature characteristics (complied standard)	X7R(EIA)
Capacitance change rate	± 15.0%
Temperature range of temperature characteristics	-55 to 125
Operating temperature range	-55 to 125

## References

Packaging	Specifications	Minimum quantity
L	180mm Embossed taping	4000
K	330mm Embossed taping	10000

Mass (typ.)	
1 piece	7.0mg
180mm Reel	140g

### Attention

- 1.This datasheet is downloaded from the website of Murata Manufacturing Co., Ltd. Therefore, it ' s specifications are subject to change or our products in it may be discontinued without advance notice. Please check with our sales representatives or product engineers before ordering.
- 2.This datasheet has only typical specifications because there is no space for detailed specifications. Therefore, please review our product specifications or consult the approval sheet for product specifications before ordering.