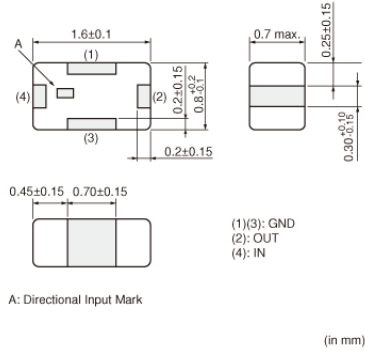


LFB182G45SG9B740



Appearance & Shape



Features

Ultra-small, low-profiled, lightweight chip filters based on ceramic multilayer technology.
Extremely ultra-small band-pass filters.

1. Ultra-small, low-profiled, lightweight band-pass filters.
2. Absolutely no adjustment required.
3. Reflow solderable.
4. Available in tape and reel packagings for automatic mounting.
5. Available in the 2400MHz to 2500MHz frequency range.

Packaging Information

| Packaging | Specifications | Minimum Order Quantity |
|-----------|------------------|------------------------|
| - | 180mm Paper Tape | 4000 |

Attention

1. This datasheet is downloaded from the website of Murata Manufacturing Co., Ltd. Therefore, its specifications are subject to change or our products in it may be discontinued without advance notice. Please check with our sales representatives or product engineers before ordering.
2. This datasheet has only typical specifications because there is no space for detailed specifications.
Therefore, please review our product specifications or consult the approval sheet for product specifications before ordering.

LFB182G45SG9B740



Specifications

| | |
|----------------------------------|--------------------------------------|
| Applications | WLAN BT |
| Nominal Center Frequency(fo) | 2450.00MHz |
| Bandwidth(BW) | fo±50.00MHz |
| Insertion Loss in BW I) | 1.80dB max. (at 25°C) |
| Insertion Loss in BW II) | 2.10dB max. (-40 to +85°C) |
| Attenuation(Absolute Value) I) | 27.0dB min. at 800.00 to 900.00MHz |
| Attenuation(Absolute Value) II) | 34.0dB min. at 4800.00 to 5000.00MHz |
| Attenuation(Absolute Value) III) | 34.0dB min. at 7200.00 to 7500.00MHz |
| Ripple(max.) | 0.7dB |
| VSWR(max.) | 2.0 |
| Characteristic Impedance(Nom.) | 50Ω |
| Power Capacity | 500mW |
| Operating Temperature Range | -40°C to 85°C |
| L x W (size) | 1.60x0.80mm |
| Thickness(max.) | 0.7mm |

Attention

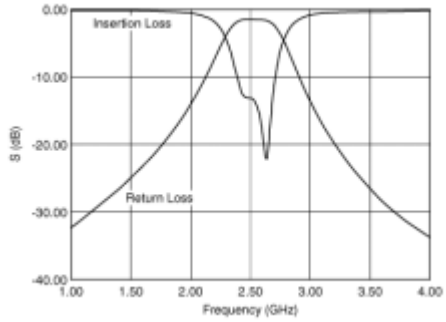
1.This datasheet is downloaded from the website of Murata Manufacturing Co., Ltd. Therefore, it's specifications are subject to change or our products in it may be discontinued without advance notice. Please check with our sales representatives or product engineers before ordering.

2.This datasheet has only typical specifications because there is no space for detailed specifications.

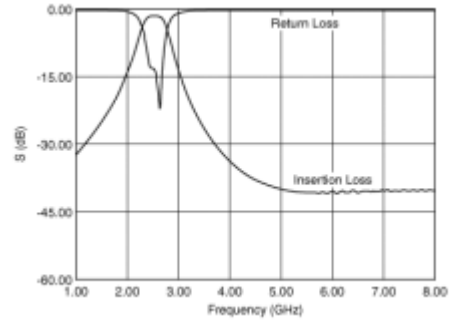
Therefore, please review our product specifications or consult the approval sheet for product specifications before ordering.

LFB182G45SG9B740

Product Data



Frequency Characteristics



Spurious Response

Attention

- 1.This datasheet is downloaded from the website of Murata Manufacturing Co., Ltd. Therefore, it's specifications are subject to change or our products in it may be discontinued without advance notice. Please check with our sales representatives or product engineers before ordering.
 - 2.This datasheet has only typical specifications because there is no space for detailed specifications.
- Therefore, please review our product specifications or consult the approval sheet for product specifications before ordering.