

Oct.1.2024 Copyright 2024 HIROSE ELECTRIC CO., LTD. All Rights Reserved.  
 In case of consideration for using Automotive equipment / device which demand high reliability, kindly contact our sales window correspondents.

Fig.2(1:1)

D-D

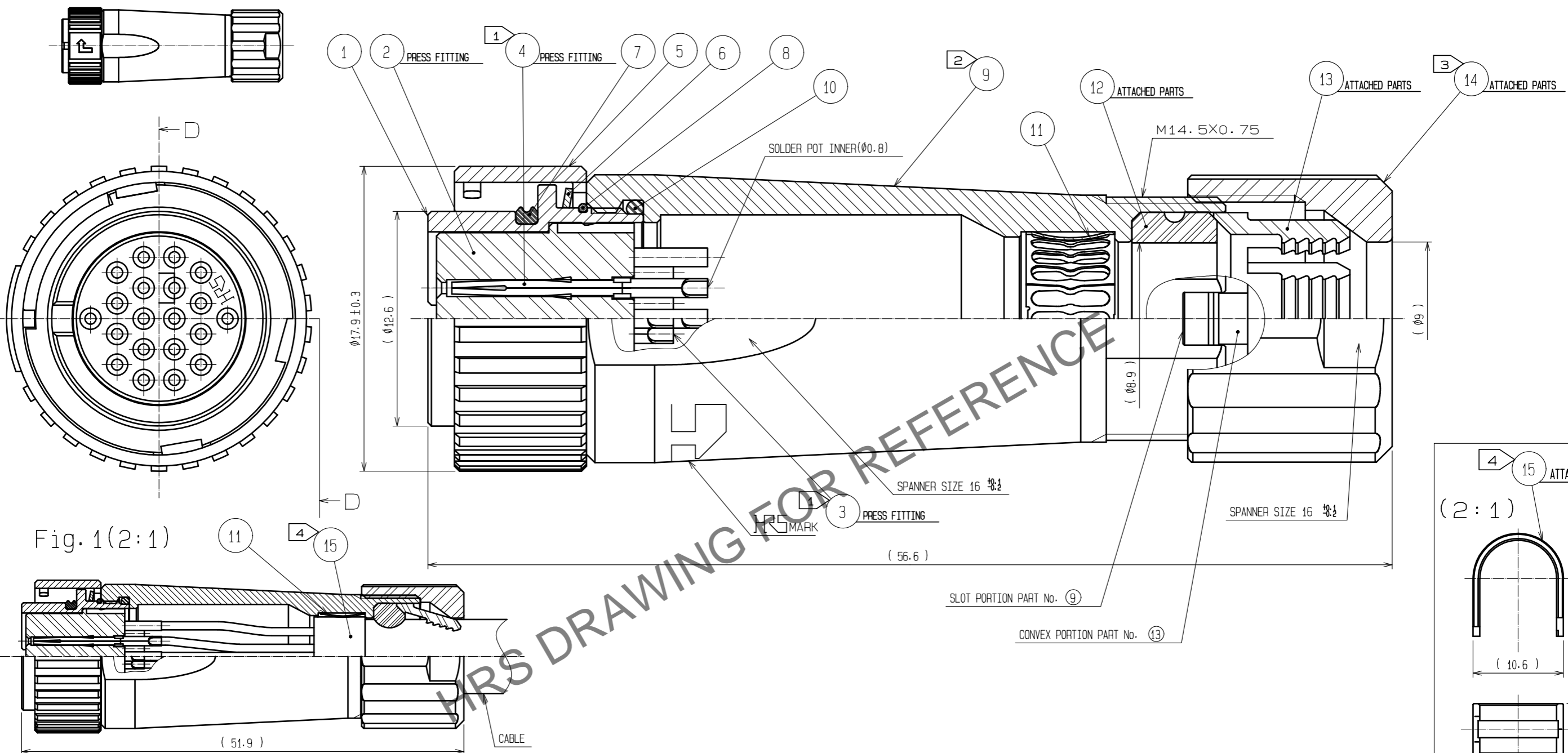


Fig.1(2:1)

- NOTES
- ① PLATING(REF.NO.③,④)  
 CONTACT AREA : GOLD 0.2μm min  
 OTHERS : GOLD AND NICKEL  
 UNDER PLATING : NICKEL 2μm min
  - ② THE RECOMMENDED CLAMP TORQUE OF REF.NO.⑨ TO BE 1.5 TO 2N·m.  
 THREAD LOCKER TO THE THREADED PORTION OF REF.NO.① APPLIES TO PREVENT REF.NO.⑨ FROM LOOSING.  
 RECOMMENDED THREAD LOCKER:LOCTITE 263, HENKEL JAPAN LTD.
  - ③ THE RECOMMENDED CLAMP TORQUE OF REF.NO.⑭ TO BE 1 TO 1.5N·m.  
 THREAD LOCKER AND LOCK PRIMER TO THE THREADED PORTION M14.5X0.75 OF REF.NO.⑨ APPLIES  
 TO PREVENT REF.NO.⑭ FROM LOOSING.  
 RECOMMENDED THREAD LOCKER AND LOCK PRIMER : LOCTITE 263, LOCK PRIMER 7649, HENKEL JAPAN LTD.
  - ④ FASTEN REF.NO.⑮ TO THE CABLE WITH THE CABLE CRIMPING TOOL.  
 AND MAKE REF.NO.⑮ CONTACT WITH REF.NO.⑪(REFER TO Fig.1).  
 REFER TO THE TECHNICAL SPECIFICATION ETAD-C0099 FOR DETAILS.  
 APPLICABLE CABLE CRIMPING TOOL : LF-TC-01 (CL150-0234-6)
  - ⑤ APPLICABLE CABLE ASSEMBLY FIXTURE : LF13BP-T01 (CL150-0237-4)  
 CABLE ASSEMBLY FIXTURE IS USED AS A RECEPTACLE STAND OF EXTRACT AND THE PART NUMBER ① OF AN ASSEMBLY.
  - ⑥ Fig.2 SHOWS THE APPEARANCE AFTER ASSEMBLY.
  - ⑦ ROTATION EXAMPLES OF REF.NOS.⑤,⑨ AND ⑭ TO ① ARE SHOWN.

8	STAINLESS STEEL				
7	CHLOROPRENE RUBBER	(BLACK)	15	BRASS	NICKEL PLATING
6	STAINLESS STEEL		14	PPS	(NATURAL·BROWN) UL94V-0
5	ZINC ALLOY	NICKEL PLATING	13	POLYAMIDE	(NATURAL·MILKY WHITE) UL94V-0
4	PHOSPHOR BRONZE	①	12	CHLOROPRENE RUBBER	(BLACK)
3	PHOSPHOR BRONZE	①	11	PHOSPHOR BRONZE	NICKEL PLATING
2	PPS	(BLACK) UL94V-0	10	CHLOROPRENE RUBBER	(BLACK)
1	ZINC ALLOY	NICKEL PLATING	9	ZINC ALLOY	NICKEL PLATING
NO.	MATERIAL	FINISH . REMARKS	NO.	MATERIAL	FINISH . REMARKS
UNITS mm		SCALE 4 : 1	COUNT 3	DESCRIPTION OF REVISIONS DIS-C-00017013	
DESIGNED HT. ZENBA		CHECKED EJ. KUNII		DATE 20240311	
APPROVED : MR. YOSHIDA 20050105			DRAWING NO. EDC3-114371-00		
CHECKED : MO. SATOH 20050105			PART NO. LF13WBP-20S		
DESIGNED : YH. YAMADA 20050105			CODE NO. CL0136-0009-3-00		
DRAWN : YH. YAMADA 20050105			③ 1/1		