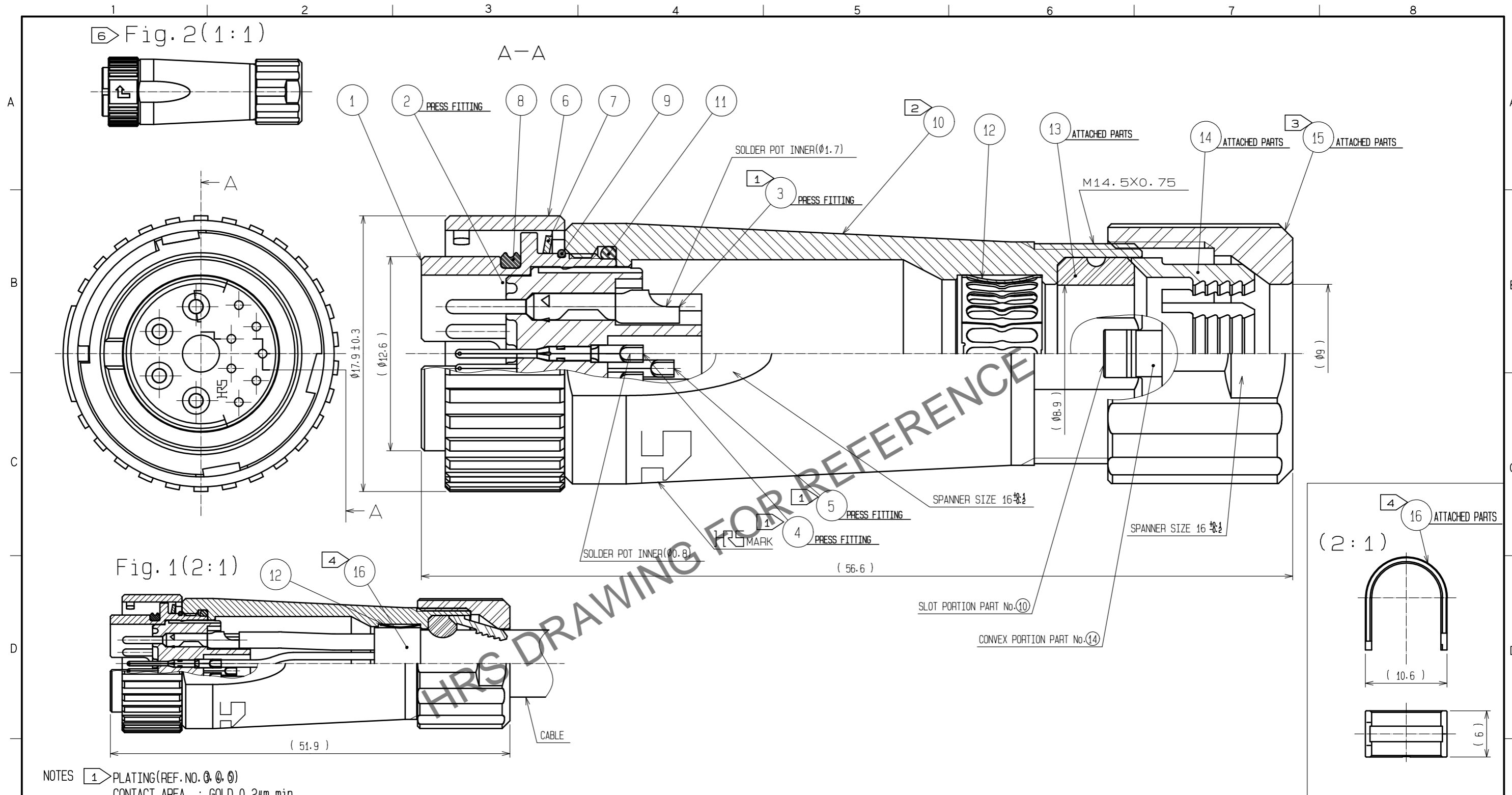


Oct.1.2024 Copyright 2024 HIROSE ELECTRIC CO., LTD. All Rights Reserved.
In case of consideration for using Automotive equipment / device which demand high reliability, kindly contact our sales window correspondents.



- NOTES
- ① PLATING(REF. NO. ③, ④, ⑤)
CONTACT AREA : GOLD 0.2μm min
OTHERS : GOLD AND NICKEL
UNDER PLATING : NICKEL 2μm min
 - ④ ② THE RECOMMENDED CLAMP TORQUE OF REF. NO. ② TO BE 1.5 TO 2N·m.
THREAD LOCKER TO THE THREADED PORTION OF REF. NO. ② APPLIES TO PREVENT REF. NO. ② FROM LOOSING.
RECOMMENDED THREAD LOCKER: LOCTITE 263, HENKEL JAPAN LTD.
 - ④ ③ THE RECOMMENDED CLAMP TORQUE OF REF. NO. ③ TO BE 1 TO 1.5N·m.
THREAD LOCKER AND LOCK PRIMER TO THE THREADED PORTION M14.5X0.75 OF REF. NO. ③ APPLIES
TO PREVENT REF. NO. ③ FROM LOOSING.
RECOMMENDED THREAD LOCKER AND LOCK PRIMER : LOCTITE 263, LOCK PRIMER 7649, HENKEL JAPAN LTD.
 - ④ ④ FASTEN REF. NO. ④ TO THE CABLE WITH THE CABLE CRIMPING TOOL.
AND MAKE REF. NO. ④ CONTACT WITH REF. NO. ④ (REFER TO Fig. 1).
REFER TO THE TECHNICAL SPECIFICATION ETAD-C0099 FOR DETAILS.
APPLICABLE CABLE CRIMPING TOOL : LF-TC-01 (CL150-0234-6)
 - ⑤ APPLICABLE CABLE ASSEMBLY FIXTURE : LF13BP-T01 (CL150-0237-4)
CABLE ASSEMBLY FIXTURE IS USED AS A RECEPTACLE STAND OF EXTRACT AND THE PART NUMBER ⑤ OF AN ASSEMBLY.
 - ⑥ Fig. 2 SHOWS THE APPEARANCE AFTER ASSEMBLY.
 - ⑦ ROTATION EXAMPLES OF REF. NOS. ⑥ AND ⑦ TO ⑦ ARE SHOWN.

8	CHLOROPRENE RUBBER	(BLACK)	16	BRASS	NICKEL PLATING		
7	STAINLESS STEEL		15	PPS	(NATURAL·BROWN) UL94V-0		
6	ZINC ALLOY	NICKEL PLATING	14	POLYAMIDE	(NATURAL·MILKY WHITE) UL94V-0		
5	COPPER ALLOY	①	13	CHLOROPRENE RUBBER	(BLACK)		
4	COPPER ALLOY	①	12	PHOSPHOR BRONZE	NICKEL PLATING		
3	COPPER ALLOY	①	11	CHLOROPRENE RUBBER	(BLACK)		
2	PPS	(BLACK) UL94V-0	10	ZINC ALLOY	NICKEL PLATING		
1	ZINC ALLOY	NICKEL PLATING	9	STAINLESS STEEL			
NO.	MATERIAL	FINISH . REMARKS	NO.	MATERIAL	FINISH . REMARKS		
UNITS mm		SCALE 4 : 1	COUNT 3	DESCRIPTION OF REVISIONS DIS-C-00017013	DESIGNED HT. ZENBA	CHECKED EJ. KUNII	DATE 20240311
HRS HIROSE ELECTRIC CO., LTD.		APPROVED : MR. YOSHIDA	20050105	DRAWING NO. EDC3-114383-00			
		CHECKED : MO. SATOH	20050105	PART NO. LF13WBP-11P			
		DESIGNED : YH. YAMADA	20050105	CODE NO. CL0136-0012-8-00			
		DRAWN : YH. YAMADA	20050105				