



23105 Kashiwa Court, Torrance, CA 90505  
Phone: (800) 579-4875 or (310) 534-1505 Fax: (310) 534-1424  
E-mail: [info@ledtronics.com](mailto:info@ledtronics.com)  
Website: <http://www.ledtronics.com>

# LED48T8CM-15W-XxW-101WC (SERIES)

LED T8 Composite Tube Lights, Clear, 4ft, 2 Pin G13 Base  
100~277Vac, Natural White(4000K), Pure White(5000K)  
Angle of illumination: 120°



DWG BY:  
NPL / GP  
06-01-17

R&D:  
UF  
10-17-19

MFG:  
LD  
10-17-19

QA:  
SB  
10-17-19

REVISION LTR: A  
ECR#: 101019-UF01  
10-16-19

**○ Features**

Operating Temperature	-20°C ~ +45°C
Heatsink Temperature	35°C
Heatsink Material / Color	Aluminum Alloy / Silver
Lens Material / Color	Polycarbonate / Clear
UL / cUL Classified No.	E322319 (LED48T8CM-15W-XPW-x01WC)
UL / cUL Classified No.	E322319 (LED48T8CM-15W-XWW-x01WC)
LED Type	SMD2835
LED LM80 Report	Yes
LM79 Report	Yes
Dimmable	No
Life Span	50,000 hrs.
Warranty	5 Years
Weight	0.62 lbs.



CLASSIFIED


**○ Electro-Optical Characteristics**

Part Number	LED48T8CM-15W-XPW-101WC	LED48T8CM-15W-XWW-101WC
Input Voltage (typ)	100~277Vac	100~277Vac
Tested @ (Voltage)	120Vac	120Vac
Power Consumption	15W	14.99W
Current Consumption	0.125 A	0.128 A
Efficacy: (Lm/W)	120	137.52
Lumens	1800 lm	2061.43 lm
Max Ft-Cd	678 cd	765 cd
Power Factor	0.9	0.9169
CRI (Ra)	80	82.6
CCT	5000K	4000K
Color	Pure White	Natural White
Angle of illumination	120°	
DLC Product ID	PWQBQKTW	P1J9PBZX

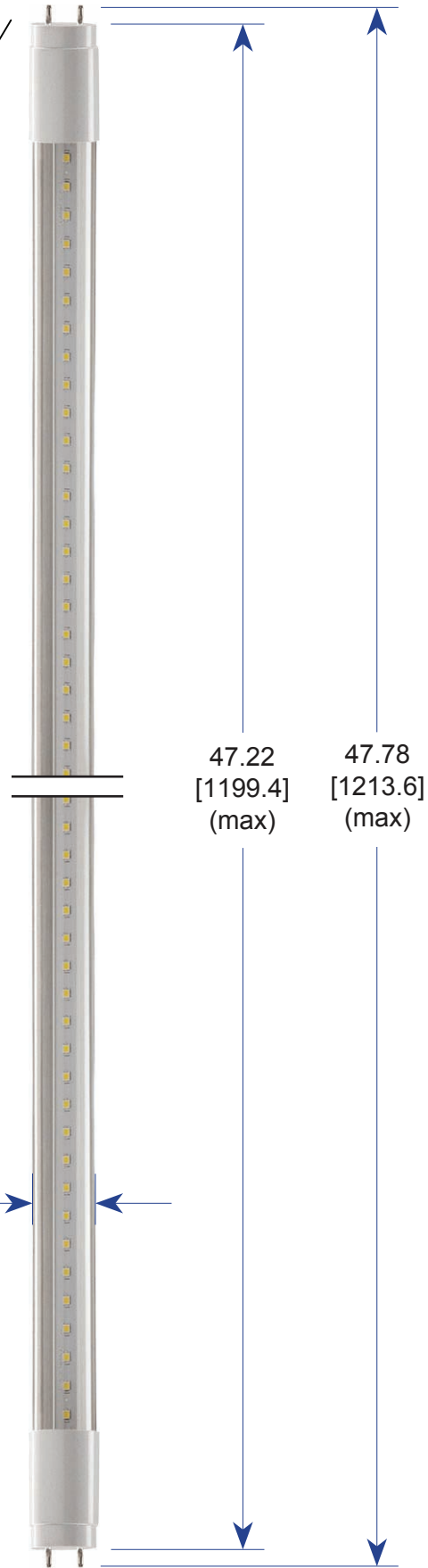
○ **Dimensions**



SIDE VIEW

TOP VIEW

Ø1.02  
[Ø26]  
(max)



**Tolerance:**

XXX +/- .010  
XX +/- .025

**Notes:**

1. All Dimensions are in Inches [mm].