



Features

- Rated 310VAC (UL, C-UL 250VAC).
- Class X2 series.
- Operating temperature up to 110°C.

Applications

- Designed mainly for suppressing noise occurring in power line of electric and electrical appliances.

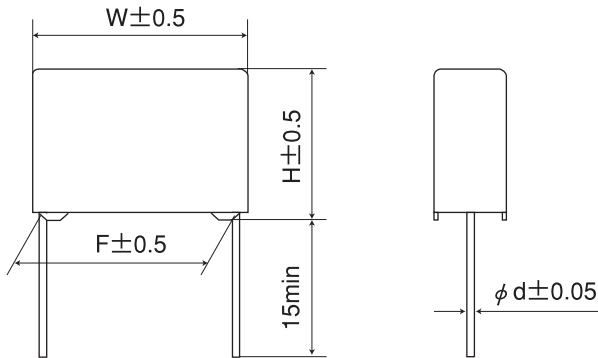


Safety Agency : Standard		File No.
UL	:UL-1414, UL-1283	E47474, E78644
C-UL	:C22.2 No.1 C22.2 No.8	E47474, E78644
SEMKO-ENEC:	IEC60384-14 II EN132400	SE/0142-1

The "ENCE" mark is a common European product certification mark based on testing to harmonized European safety standard. The mark with #14 stands for SEMKO.



Dimensions

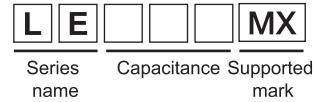


Unit: mm

Circuit



Model numbering system



Electrical Specifications

Rated Voltage **310VAC** (UL, C-UL: 250VAC)

Safety Agency	Class	Model Number	Capacitance $\mu\text{F} \pm 10\%$	Dimensions					Tan δ	Test Voltage	Insulation Resistance
				W	H	T	F	d			
 	X2	LE104-MX	0.1	17.0	11.0	5.0	15.0	0.6	$C \leq 1 \mu\text{F}$ 0.003max (f=10kHz) $C \geq 1.5 \mu\text{F}$ 0.002max. (f=1kHz)	Line to Line 1000VAC 50/60Hz 60sec or 1870VDC 60sec Line to Ground 2100VAC 50/60Hz 60sec	Line to Line $C \leq 0.33 \mu\text{F}$ 15000M Ω min. $C \geq 0.47 \mu\text{F}$ 5000 $\Omega \cdot \text{F}$ min. Line to Ground 100000M Ω min. (at 100VDC)
		LE154-MX	0.15	17.0	12.0	6.0	15.0	0.6			
		LE224-MX	0.22	17.0	14.0	6.5	15.0	0.6			
		LE334-MX	0.33	17.5	16.5	7.5	15.0	0.6			
		LE474-MX	0.47	25.5	16.5	7.0	22.5	0.6			
		LE684-MX	0.68	25.5	18.0	8.5	22.5	0.6			
		LE105-MX	1.0	25.5	21.0	10.0	22.5	0.6			
		LE155-MX	1.5	30.5	22.5	13.0	27.5	0.8			
LE225-MX	2.2	39.5	22.5	15.5	27.5	0.8					

Operating Temperature: -55~+110°C