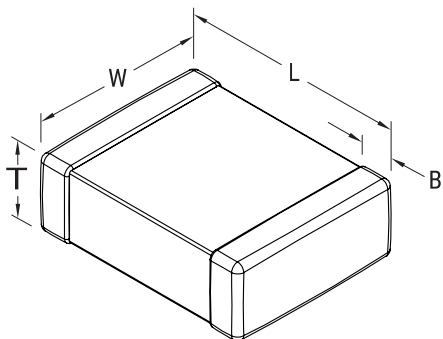


**KEMET Part Number: LDEQG2680KA5N00**  
(DEQG2680KA5N00)

Film, Metallized PEN Stacked, Commercial Grade, LDE, 0.068 uF, 10%, 1,000 V, 250 V, 125C, 5040, 5.5mm



**Dimensions**

Dimensions	
Chip Size	5040
L	13mm +/-0.4mm
W	10.4mm +/-0.5mm
T	5.5mm MAX
B	0.5mm +0.5/-0.3mm

**Packaging Specifications**

Packaging:	T&R
Packaging Quantity:	1000

**General Information**

Dielectric:	Metallized PEN Stacked
Style:	SMD Chip
Series:	LDE
RoHS:	Yes
Approvals:	AEC-Q200
AEC-Q200:	Yes

**Specifications**

Capacitance:	0.068 uF
Capacitance Tolerance:	10%
Voltage DC:	1000 VDC
Voltage AC:	250 V
Temperature Range:	-55/+125C
Rated Temperature:	125C
Dissipation Factor:	0.8% 1kHz
Insulation Resistance:	1 GOhms
Max dVdt:	300 V