



PART NUMBER

LCD-S101D40TR

REV.

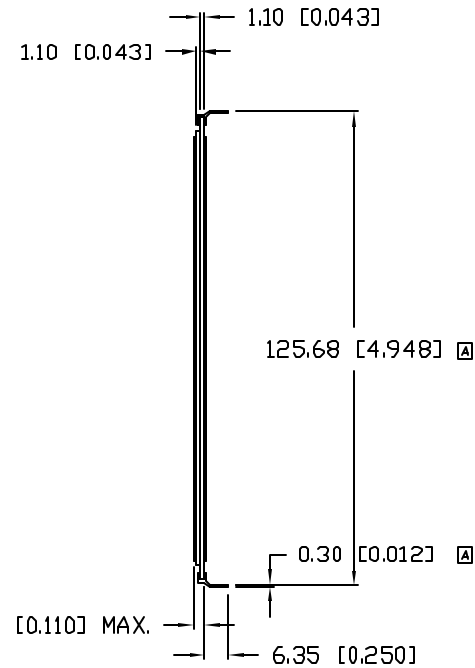
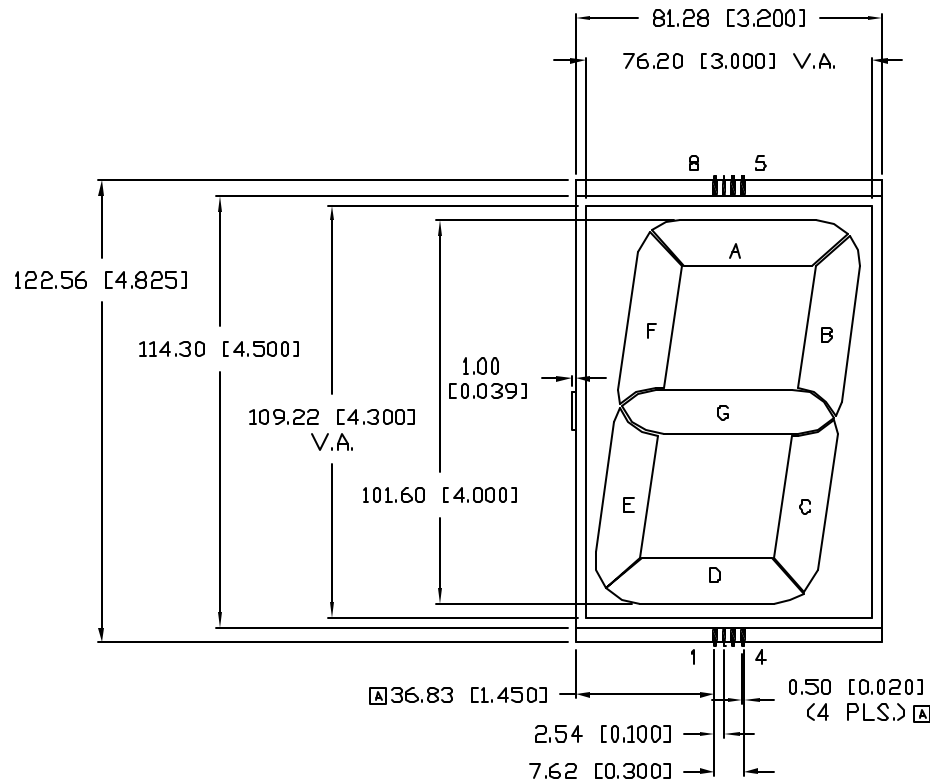
A

REV. E.C.N. NUMBER AND REVISION COMMENTS

DATE

A E.C.N. #11250.

5.27.05



PIN #	1	2	3	4	5	6	7	8
SEG	COM	E	D	C	B	A	F	G

CHARACTERISTICS	
FLUID TYPE:	TN
BACKGROUND COLOR:	GRAY
VIEWING DIRECTION:	6:00
DISPLAY MODE:	REFLECTIVE
OPERATING VOLTAGE:	5.0V A.C. [A]
OPERATING TEMP.	0°C TO 50°C
STORAGE TEMP.	-20°C TO 70°C
DRIVING METHOD:	STATIC, [A]
CONNECTION TYPE:	8 PINS

*UNLESS OTHERWISE SPECIFIED TOLERANCE IS ±0.25mm (±0.010")

REV.

A

PART NUMBER

LCD-S101D40TR

CONFIDENTIAL INFORMATION

THE INFORMATION CONTAINED IN THIS DOCUMENT IS THE PROPERTY OF LUMEX INC. EXCEPT AS SPECIFICALLY AUTHORIZED IN WRITING BY LUMEX INC., THE HOLDER OF THIS DOCUMENT SHALL KEEP ALL INFORMATION CONTAINED HEREIN CONFIDENTIAL AND SHALL PROTECT SAME IN WHOLE OR IN PART FROM DISCLOSURE AND DISSEMINATION TO ALL THIRD PARTIES.

RELIABILITY NOTE

OUR MANY YEARS OF EXPERIENCE DATA ACCUMULATION INDICATE THAT SOLDER HEAT IS A MAJOR CAUSE OF EARLY AND FUTURE FAILURE. PLEASE PAY ATTENTION TO YOUR SOLDERING PROCESS.

290 E. HELLEN ROAD [A]
 PALATINE, ILLINOIS 60067
 PHONE: 1-847-359-2790
 WEB: HTTP://WWW.LUMEX.COM

4.0" CHARACTER HEIGHT, SINGLE DIGIT LCD GLASS,
 TN, REFLECTIVE, 8 PINS.

DRAWN BY:

JD

CHECKED BY:

APPROVED BY:

DATE: 11-19-98

PAGE: 1 OF 1

SCALE: N/A