

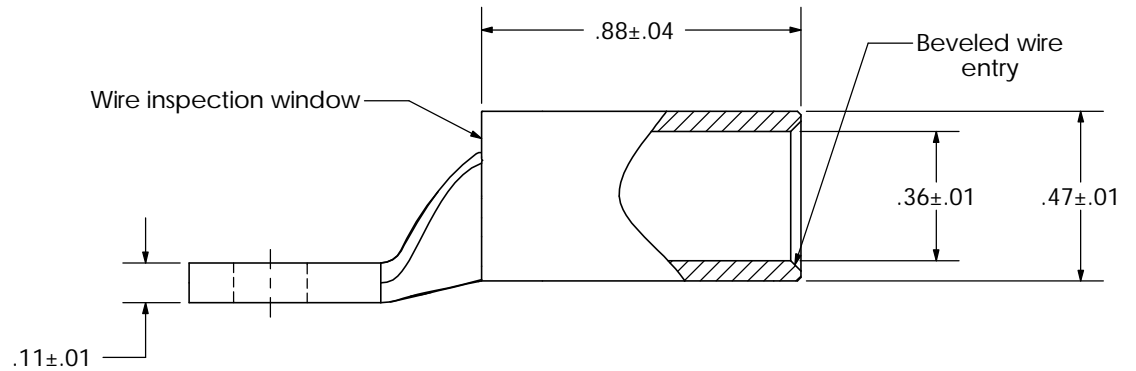
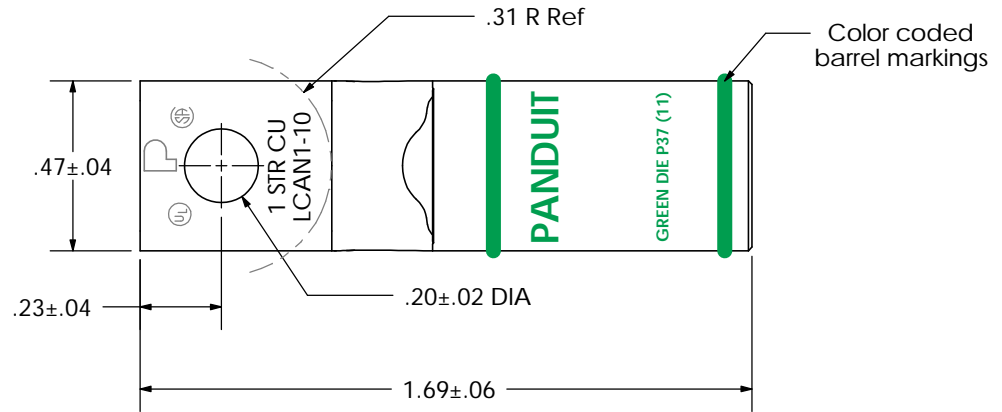
THIS COPY IS PROVIDED ON A RESTRICTED BASIS AND IS NOT TO BE USED IN ANY WAY DETRIMENTAL TO THE INTERESTS OF PANDUIT CORP.

Material	High Conductivity Seamless Copper Tube
Plating	Electro-Tin
Wire Size	1 AWG
Wire Type	Stranded Copper; Class B: Compact, Compressed or Concentric, Class C: Concentric
Wire Strip Length	15/16 in.
Stud Size	#10
UL Listed Wire Connector	Yes, for applications up to 35kv. Consult cable manufacturer for voltage stress relief instructions with applications greater than 2000 volts.
UL Temperature Rating	90° C
C.S.A Certified Wire Connector	Yes
Panduit Color Code on Barrel	GREEN
Panduit Die Index No. on Barrel	P37
Alternate Industry Die Index No. ( ) on Barrel	(11)



CERTIFIED

LISTED Wire Connector



**PANDUIT CORP. TINLEY PARK, ILLINOIS**

LCAN1-10-E  
Copper Lug - One-Hole, Narrow Tongue, Standard Barrel

00	7/05	JHNU	TLCO	RELEASED	PC00068
REV	DATE	BY	CHK	DESCRIPTION	ECN

SCALE	DRAWING NO / CAD FILE
N/A	LCAN1-10-CUST