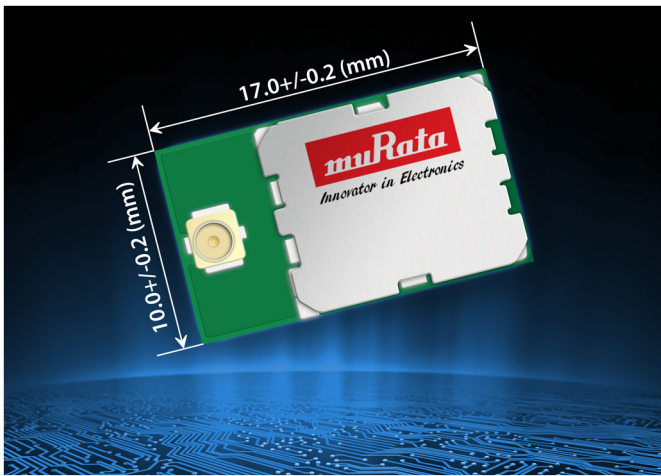


Type TN – Wi-Fi® / Bluetooth® Module

Part Number: LBEE5ZSTNC-523



The Type TN module is a broad market solution providing IEEE802.11 b/g/n and Bluetooth v4.0 wireless connectivity. Type TN is part of the broad market series targeting a wide range of consumer applications.

The module is pre-integrated with several Texas Instruments OMAP™, SITARA™, DaVinci™, and Integra™ processors facilitating faster customer design cycles.

This module integrates the Texas Instrument's WL1271IL, RFFE, Fast clock, and DC-DC converter. In addition, a convenient U.FL RF coaxial connector interface is on-module enabling fast integration to an external antenna.

FCC certification is completed for the Type TN module to further enable rapid design cycles for the customer.

The Type TN module is also supplied on the Com6M daughter board for quick plug-in and adoption to development platforms supporting the Com interface.

Features

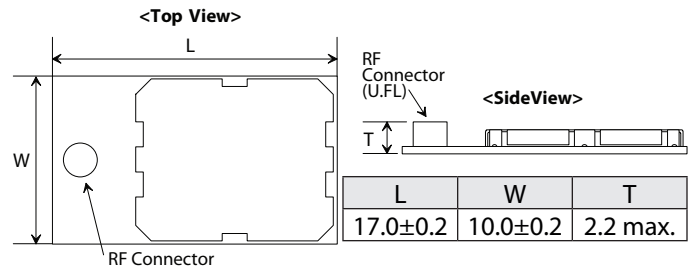
- IEEE 802.11 b/g/n
- Bluetooth v4.0
- Pre-integration to select TI development platforms
- FCC Certification on Com6M daughter card

Applications

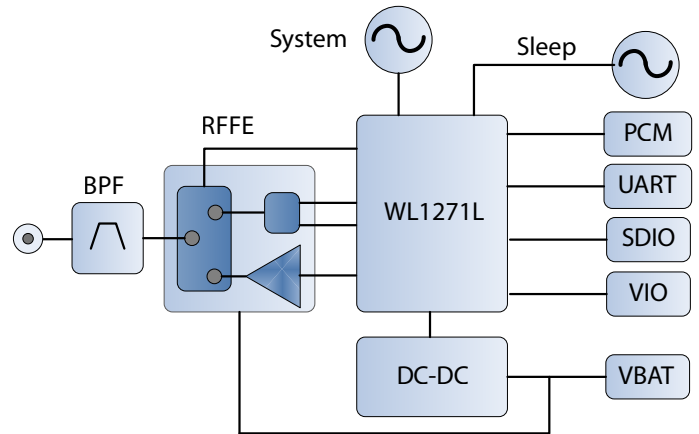
- Streaming Media Devices
- Networked Appliances
- Portable and Mobile Terminals

Note: Information in this brief is subject to change without notice.

Dimensions (mm)



Block Diagram



Specifications

Chipset	WL1271L
Supply Voltage	2.7 to 4.8 Vdc for VBAT
Interface Voltage	1.8 Vdc for VIO
Operating Temperature	-30° to +70°C
Package	62-pin LGA
WLAN RF Power	+14.5dBm typ. 65Mbps +20dBm typ. 11Mbps
WLAN Sensitivity	-70dBm typ. 65Mbps -88dBm typ. 11Mbps
Bluetooth	Power class 1.5

