

THE INFORMATION CONTAINED HEREIN IS CONSIDERED 'PROPRIETARY' TO BEL FUSE INC. AND SHALL NOT BE COPIED, REPRODUCED OR DISCLOSED WITHOUT THE WRITTEN APPROVAL OF BEL FUSE INC.

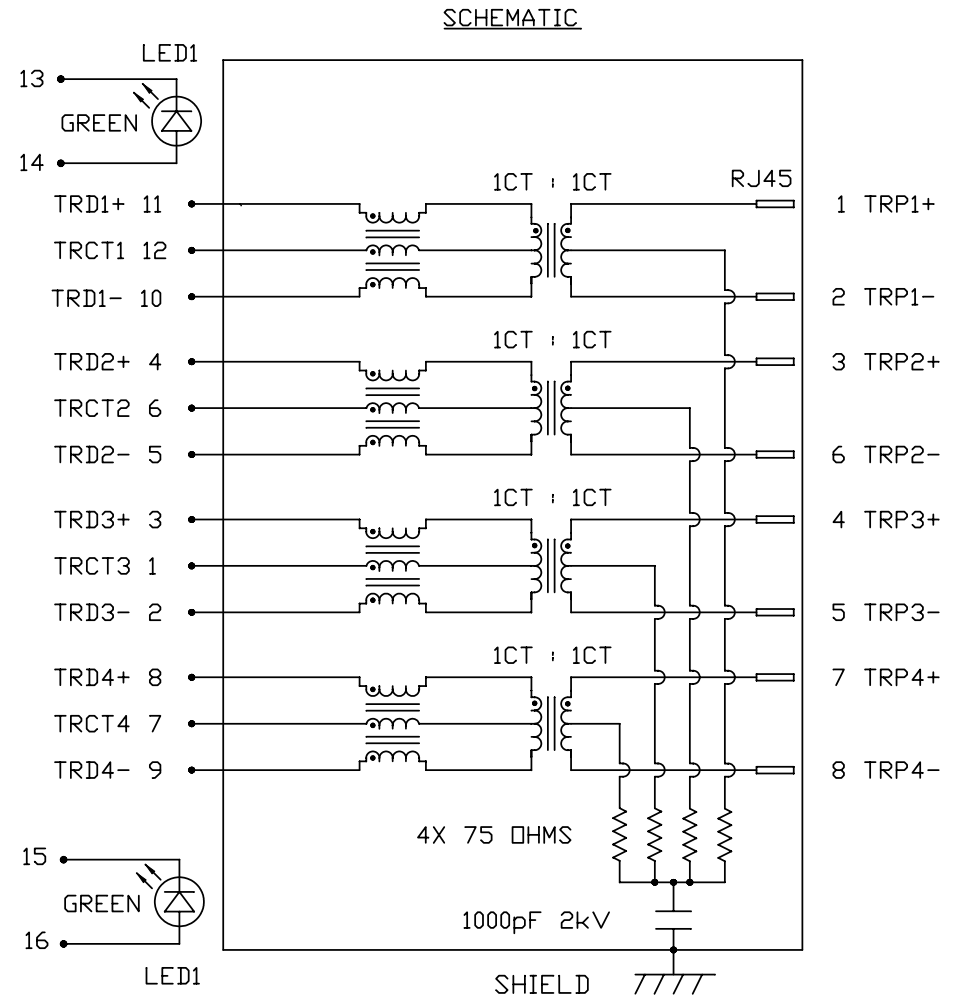
LED1 POLARITY			LED2 POLARITY		
PIN 13	PIN 14	COLOR	PIN 15	PIN 16	COLOR
-	+	GREEN	-	+	GREEN

PRELIMINARY



ELECTRICAL CHARACTERISTICS @ 25°C

TURNS RATIO
 TP1 1CT : 1CT ±2%
 TP2 1CT : 1CT ±2%
 TP3 1CT : 1CT ±2%
 TP4 1CT : 1CT ±2%
 OCL @ 100kHz/100mVRMS
 8mA DC BIAS 350µH MIN.
 INS. LOSS
 0.1MHz TO 1MHz -1.1 dB MAX
 1MHz TO 65MHz -0.5 dB MAX
 65MHz TO 100MHz -0.8 dB MAX
 100MHz TO 125MHz -1.2 dB MAX
 RET. LOSS (MIN)
 0.5MHz-40MHz -18 dB
 40MHz-100MHz -12+20LOG(f/80MHz) dB
 CM TO CM REJ
 100kHz - 100MHz -30 dB MIN
 CM TO DM REJ
 100kHz - 100MHz -35 dB MIN
 HIPOT (Isolation Voltage): 1500 Vrms
 100% OF PRODUCTION TESTED TO COMPLY WITH
 IEEE 802.3 ISOLATION REQUIREMENTS.
 OPERATING TEMPERATURE: -40°C TO 85°C
 LED1 & LED2
 VF (FORWARD VOLTAGE) IF=20mA GREEN 2.2V TYP.
 λD (DOMINANT WAVELENGTH) IF=20mA GREEN 565nm TYP.

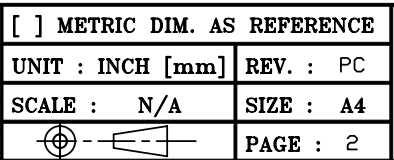


ORIGINATED BY	DATE
CHOW WANGCHUNG	02-17-11
DRAWN BY	DATE
LEE WEIDE	02-17-11

TITLE
 gigabit MagJack®
 (Low Profile and
 Extended temperature)
 L826-1G4T-32-F

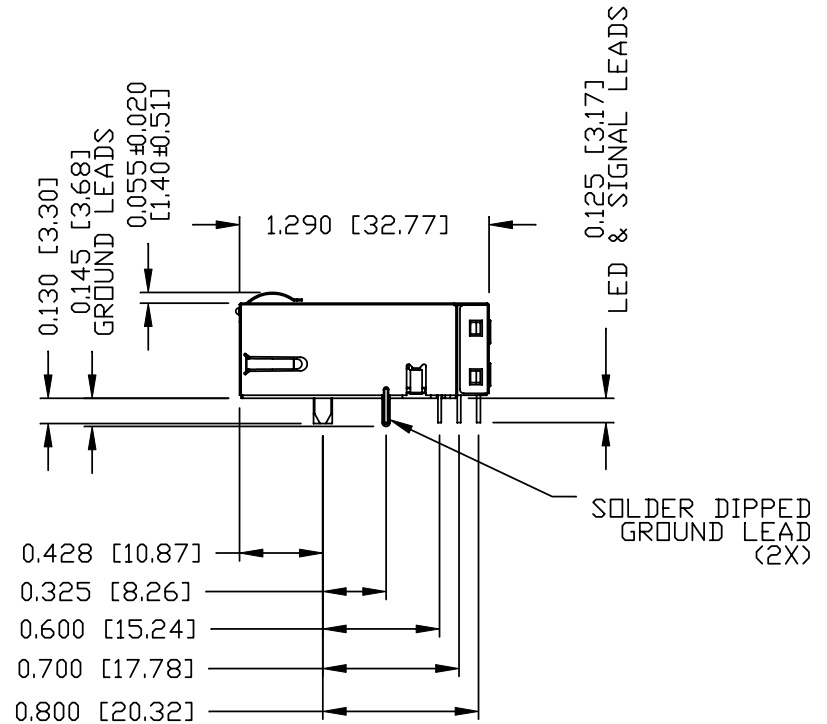
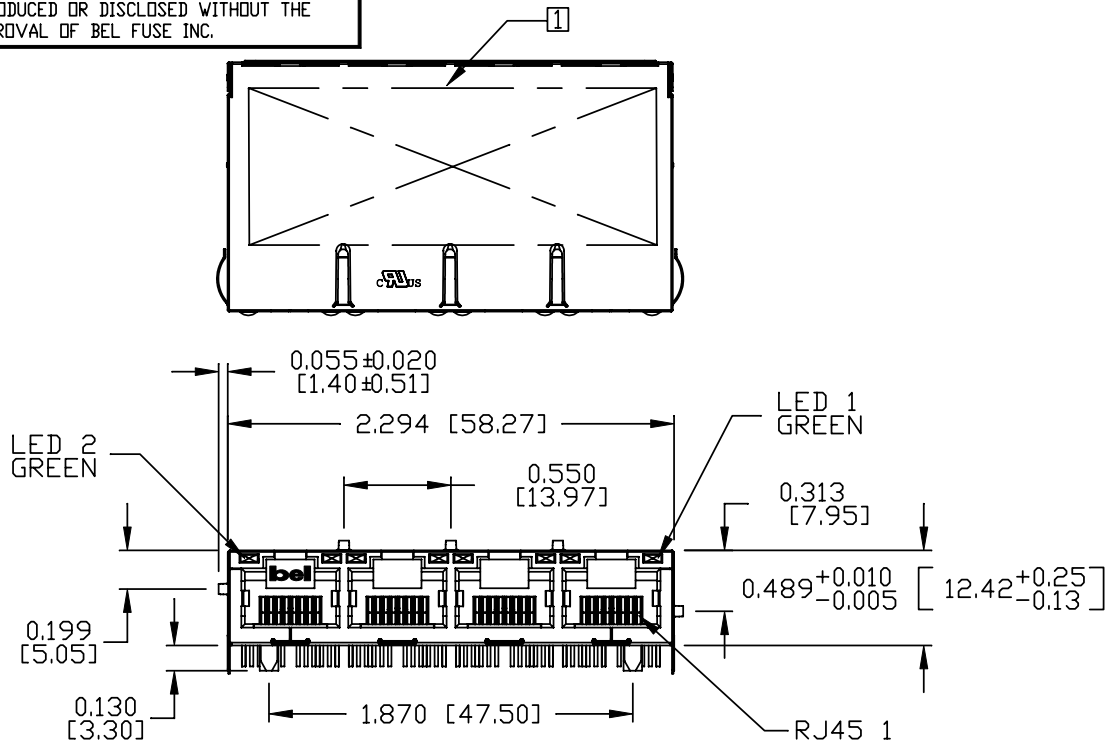
PART NO. / DRAWING NO.
 L8261G4T32-F
FILE NAME
 L8261G4T32-F_PC.DWG

STANDARD DIM.	[] METRIC DIM. AS REFERENCE
TOL. IN INCH	UNIT : INCH [mm]
.X	REV. : PC
.XX	SCALE : N/A
.XXX	SIZE : A4
	PAGE : 2



THE INFORMATION CONTAINED HEREIN IS CONSIDERED "PROPRIETARY" TO BEL FUSE INC. AND SHALL NOT BE COPIED, REPRODUCED OR DISCLOSED WITHOUT THE WRITTEN APPROVAL OF BEL FUSE INC.

PRELIMINARY



NOTES:

- PLASTIC HOUSING: THERMOPLASTIC PBT
FLAMMABILITY RATING UL 94V-0
- CONTACTS PLATING: 50 MICRO-INCH HARD GOLD PLATING
- PINS: TIN-COATED COPPER WIRE, DIA 0.018 INCH.
- METAL SHIELD: NICKEL PLATED ON COPPER ALLOY.
(ALL GROUND LEADS ARE SOLDER DIPPING)

[1] MARK PART WITH MFG LOGO, MFG NAME, PART NUMBER, DATE CODE AND PATENTED.
JACK CAVITY CONFORMS TO FCC RULES AND REGULATIONS.

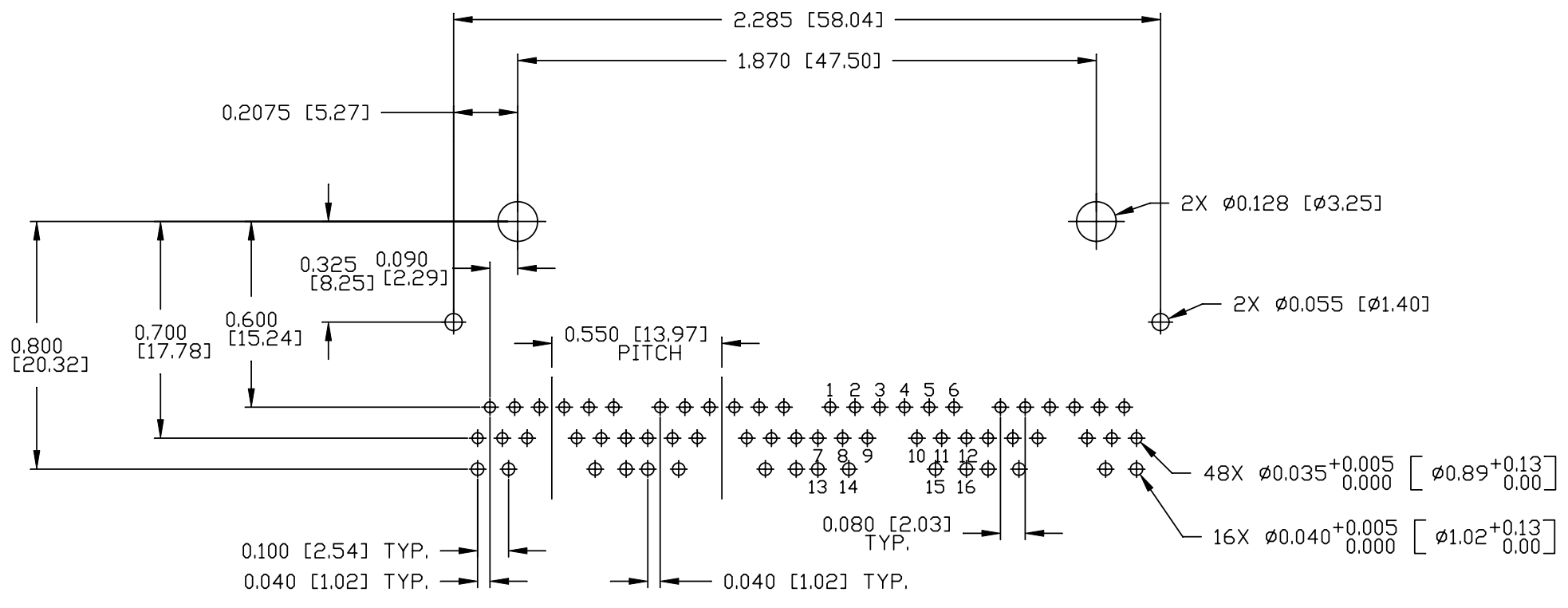
2. THE PRODUCT IS PATENT PRODUCT. THE PATENT NUMBER ARE U.S. PAT. 5,736,910 AND U.S. PAT. 7,123,117.

UL us UL RECOGNIZED - FILE #E196366 AND E169987.
RoHS COMPLIANCE, PER EU DIRECTIVE 2002/95/EC.

ORIGINATED BY ANTON LIAD	DATE 02-17-11	TITLE gigabit MagJack® (Low Profile and Extended temperature)	PART NO. / DRAWING NO. L8261G4T32-F	STANDARD DIM. TOL. IN INCH		[] METRIC DIM. AS REFERENCE		 COMPONENTS FOR A CONNECTED PLANET
				.X		UNIT : INCH [mm]	REV. : PC	
DRAWN BY SHAWN FENG	DATE 02-17-11	FILE NAME L826-1G4T-32-F	L8261G4T32-F_PC.DWG	.XX	±0.010	SCALE : N/A	SIZE : A4	
				.XXX			PAGE : 3	

THE INFORMATION CONTAINED HEREIN IS CONSIDERED 'PROPRIETARY' TO BEL FUSE INC. AND SHALL NOT BE COPIED, REPRODUCED OR DISCLOSED WITHOUT THE WRITTEN APPROVAL OF BEL FUSE INC.

PRELIMINARY



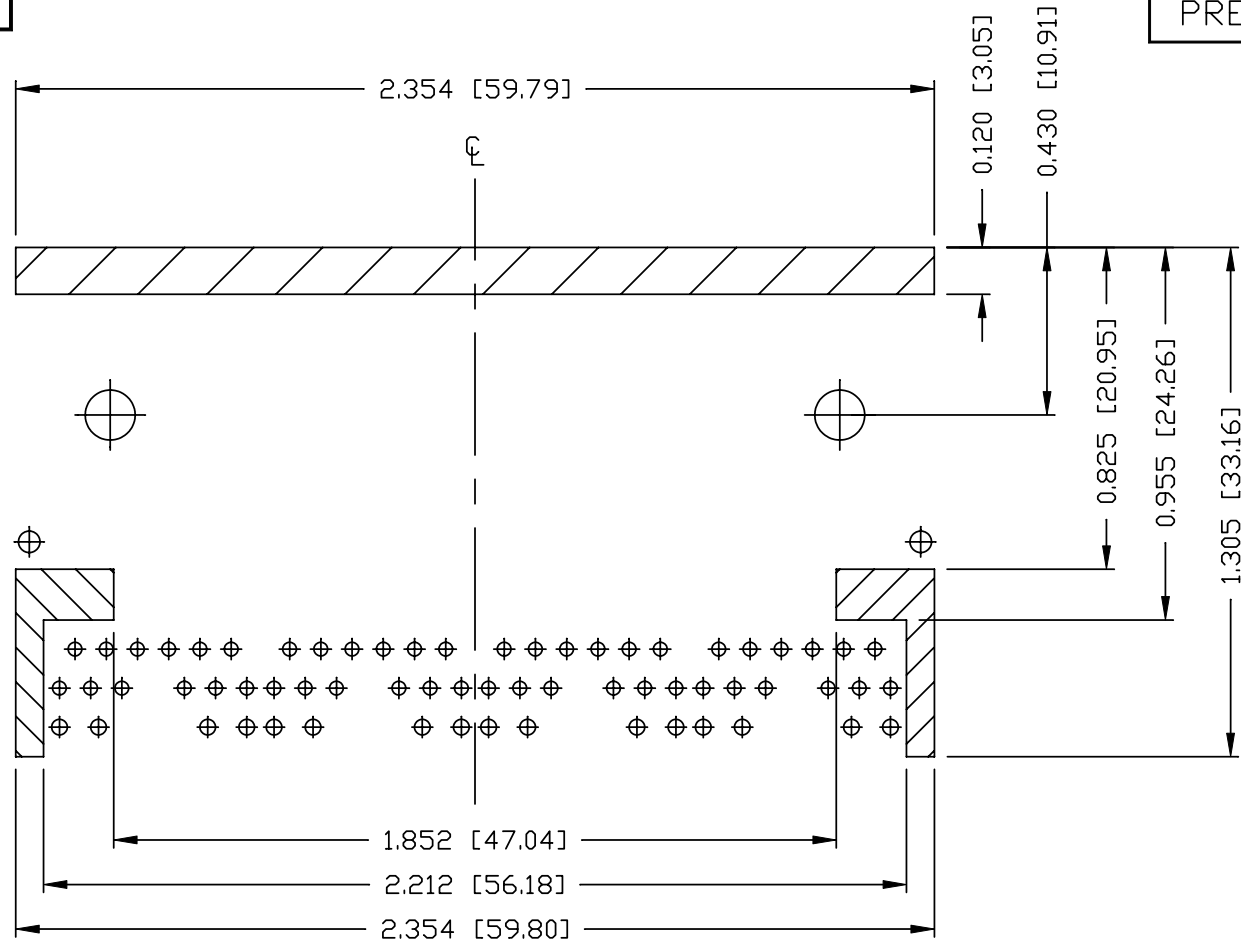
RECOMMENDED PCB FOOTPRINT
(COMPONENT SIDE VIEW)

ORIGINATED BY ANTON LIAO	DATE 02-17-11	TITLE gigabit MagJack® (Low Profile and Extended temperature) L826-1G4T-32-F	PART NO. / DRAWING NO. L8261G4T32-F	STANDARD DIM. TOL. IN INCH	[] METRIC DIM. AS REFERENCE		 COMPONENTS FOR A CONNECTED PLANET
	DRAWN BY SHAWN FENG		DATE 02-17-11	FILE NAME L8261G4T32-F_PC.DWG	.X .XX .XXX	±0.004	

THE INFORMATION CONTAINED HEREIN IS CONSIDERED 'PROPRIETARY' TO BEL FUSE INC. AND SHALL NOT BE COPIED, REPRODUCED OR DISCLOSED WITHOUT THE WRITTEN APPROVAL OF BEL FUSE INC.

PRELIMINARY

RoHS
2002/95/EC



NOTES

THE SHADED AREA ON THE CUSTOMER BOARD ARE RECOMMENDED TO BE CLEAR OFF ANY VIA HOLE OR COMPONENT PAD.

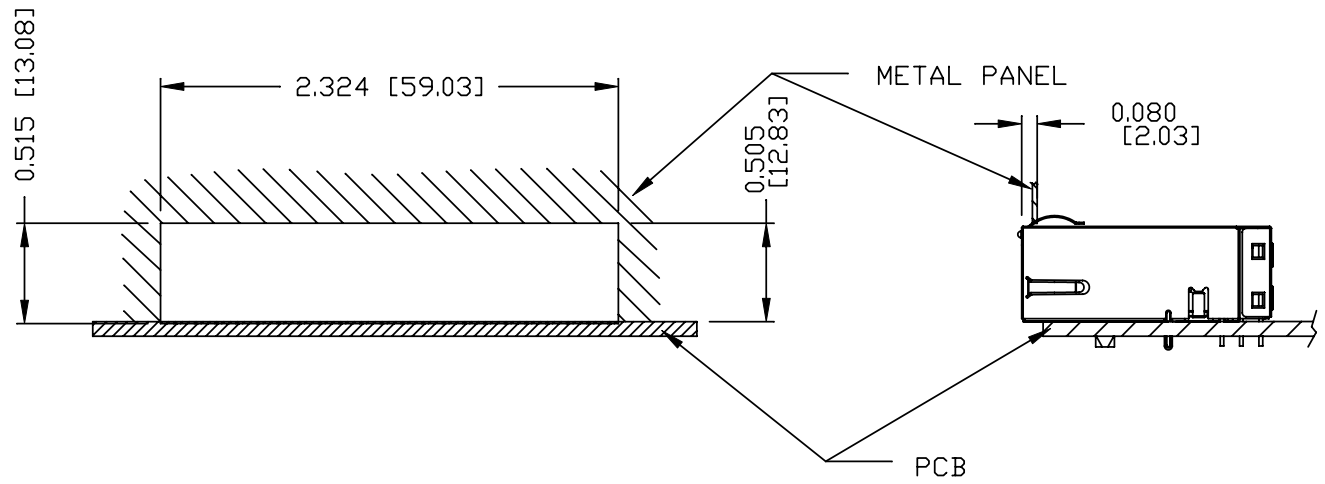
ORIGINATED BY ANTON LIAO	DATE 02-17-11	TITLE gigabit MagJack® (Low Profile and Extended temperature) L826-1G4T-32-F	PART NO. / DRAWING NO. L8261G4T32-F		STANDARD DIM. TOL. IN INCH		[] METRIC DIM. AS REFERENCE		 COMPONENTS FOR A CONNECTED PLANET
			FILE NAME L8261G4T32-F_PC.DWG		.X		UNIT : INCH [mm]	REV. : PC	
DRAWN BY SHAWN FENG	DATE 02-17-11				.XX		SCALE : N/A	SIZE : A4	PAGE : 5
					.XXX	±0.004			

THE INFORMATION CONTAINED HEREIN IS CONSIDERED 'PROPRIETARY' TO BEL FUSE INC. AND SHALL NOT BE COPIED, REPRODUCED OR DISCLOSED WITHOUT THE WRITTEN APPROVAL OF BEL FUSE INC.

PRELIMINARY



SUGGESTED PANEL OPENING



NOTE:

THE DISTANCE OF PANEL INSIDE SURFACE RELATIVE TO FRONT SURFACE OF PART IS ONLY A SUGGESTION. IN CASE THIS DISTANCE IS DIFFERENT, THE REQUIRED PANEL OPENING DIMENSIONS CHANGE ACCORDINGLY.

PACKING INFORMATION

PACKING TRAY: 0200-9999-D3 (TOP)
 0200-9999-B5 (BOTTOM)
 PACKING QUANTITY: 24 PCS FINISHED GOODS PER TRAY
 10 TRAYS (240 PCS FINISHED GOODS) PER CARTON BOX
 REMARK : CARDBOARDS ARE PLACED BETWEEN LAYERS OF PACKING TRAY INSIDE CARTON BOX
 (INCLUDE THE UPPERMOST AND LOWERMOST TRAY)

ORIGINATED BY ANTON LIAO	DATE 02-17-11	TITLE gigabit MagJack® (Low Profile and Extended temperature) L826-1G4T-32-F	PART NO. / DRAWING NO. L8261G4T32-F	STANDARD DIM. TOL. IN INCH	[] METRIC DIM. AS REFERENCE	
	DRAWN BY SHAWN FENG		DATE 02-17-11	FILE NAME L8261G4T32-F_PC.DWG	.X .XX .XXX	UNIT : INCH [mm] SCALE : N/A ⊕

