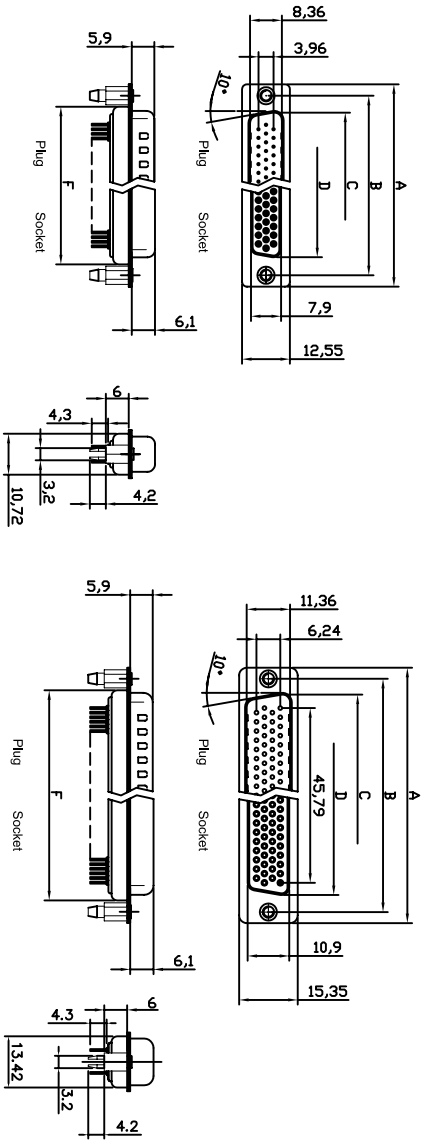
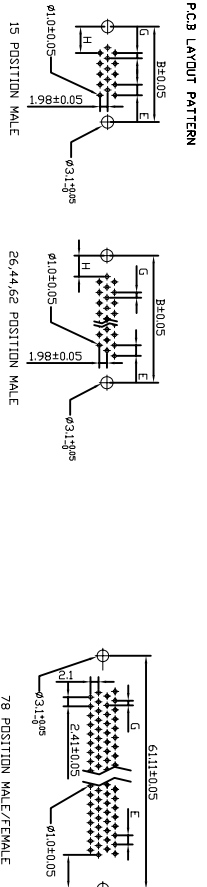


This document is the property of Amphenol Corporation and is delivered on the express condition that it is not to be distributed, reproduced or used, in whole or in part, without the prior consent of Amphenol Corporation. Amphenol Corporation will not be held liable for any errors or omissions in this document or to use any information in this document.



**Dimensions**

Positions	A	B	C	D	E	F
15	30.81	24.99	16.92	16.33	2.29	19.20
26	39.14	33.32	25.50	24.66	2.29	27.70
44	53.04	47.04	38.96	38.38	2.29	41.10
62	69.32	63.50	55.42	54.84	2.41	57.30
78	66.90	61.11	52.86	52.20	2.41	55.10



Positions	G	H
15M/F	1.14	7.04
26M/F	1.14	6.88
44M/F	1.14	6.88
62M/F	1.25	7.00
78M/F	1.20	7.65



**REVISIONS**

SM	EDN	DESCRIPTION	DATE	APPROVED
B			12/01/07	

**D-SUB TECHNICAL DATA**

**Product Specification**

**Material and Finish**  
 Insulator: PBT + Glass-filled thermoplastic, UL-94V-0 rated.  
 Male Contact: Brass per QQ-B-626, selected gold over full tin.  
 Female Contact: Phosphor Bronze per QQB-750, selected gold over full tin.  
 Metal Shell: Carbon steel per ASTM-A-109, tin over nickel.  
 Boardlock: Copper alloy, tin over nickel.  
 Screwlock: Brass per QQ-B-626, tin over nickel.

**Electrical**

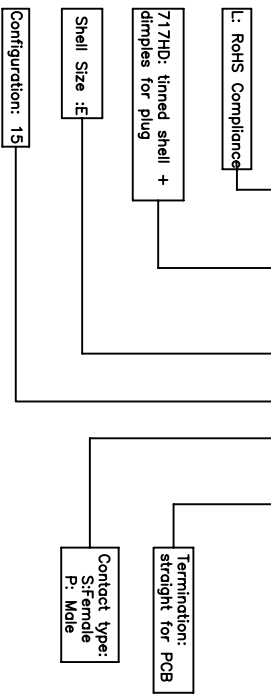
Contact Resistance: 25 milliohms max. At 1 ampere Dc.  
 Insulation Resistance: 5000 megohms at 500 VDC.  
 Dielectric Withstanding Voltage: 1000 VAC/rms 60Hz for one minute.  
 Current Rating: 1 amperes per contact.  
 Voltage Rating: 250 VAC/rms 60Hz.

**Environmental**

Operating Temperature: -55C to +105C.  
 Humidity: 24hours at 40C/95%R.H.

**PRODUCT CODE**

**L717HDE15POL2**



**UNLESS OTHERWISE SPECIFIED**

TOLERANCES	U.S.	METRIC	APPROVAL	DATE
XX	±0.50		DRAWN	LEON TYLER/06/07
XX	±0.30		CHECKED	RE/06/07
XX	±0.20			

**FOR MATERIALS AND FINISHES REMOVE SHARP EDGES**

DIMENSIONS	TYPICAL	ANGLE OF PROJECTION	SIZE	DRAWING NO.	REV.
THIRD ANGLE	MIN		A4	C	L717HDE15POL2
SCALE	NONE				B

**TITLE**  
D-SUB contacts , HD series

**Amphenol**

**SHHEET 1 OF 1**