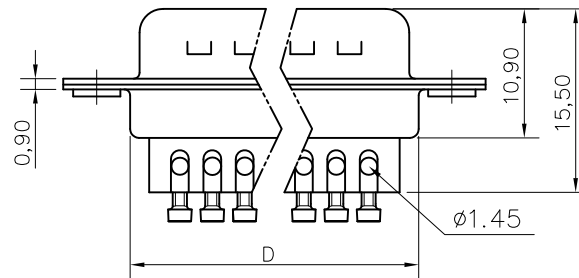
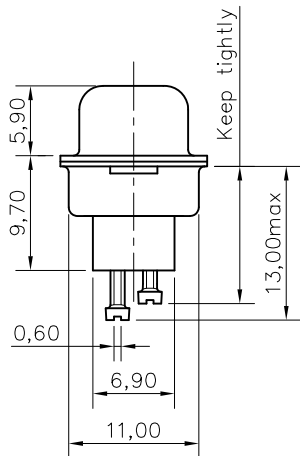
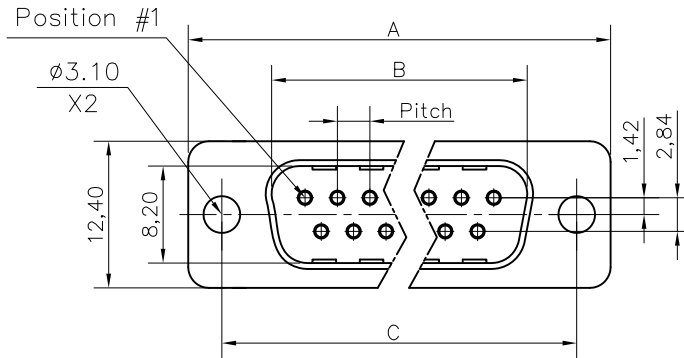


This document is the property of Amphenol Corporation and is delivered on the express condition that it is not to be disclosed, reproduced or used, in whole or in part, for manufacture or sale by anyone other than Amphenol Corporation without its prior consent, & that no right is granted to disclose or to use any information in this document.

Customer drawing



DIM.S	A	B	C	D	Pitch
09	30.70	16.80	25.00	19.40	2.74
15	39.00	25.10	33.30	27.70	2.74
25	52.90	38.80	47.00	41.40	2.76
37	69.20	55.30	63.50	57.90	2.76

REVISIONS

SYM	ECN	DESCRIPTION	DATE	APPROVED
1	HK--	First Release Drawing	12/14/07	IP
2	HK--	Update the Drawing	10/20/14	IP
3	HK--	Update the Drawing	02/02/18	IP

D-SUB TECHNICAL DATA

SHELL : Steel, 2.5um(100u") min tin over 1.25um(50u") min nickel
 BODY : Glass filled thermoplastic.
 Flame retardant to UL94 V-0,Color Black.
 CONTACTS : Brass 0.1um(4u") min gold over 1.25um(50u") min nickel
 SCREWLOCK : Copper alloy (no plating)
 ELECTRICAL : Voltage rating : 300 V RMS at 50 Hz
 Current rating 7.5A.
 Insulation resistance >5000 M Ohms
 Withstanding voltage 1000V AC for one minute
 Contact resistance 20 mOhms max.
 CLIMATIC : Temperature range -55°C up to +85°C, peak at +125°C
 Damp heat 21 days(40°C-95% HR)
 MARKING : Amphenol...(Series No.)
 Commercial reference
 Manufacturing date

PRODUCT CODE

L 717D XXX P ST X

L: RoHS Compliance

717D: Male connector, shell with dimples

Size and number of contacts:
E09,A15,B25,C37

Contact type:
P:Male

Hood option:
1=DPPK
2=DSSK
3=DTZK
4=DVZK
Blank=no hood

Contact termination:
ST=Screw termination

UNLESS OTHERWISE SPECIFIED TOLERANCES	APPROVAL	DATE
U.S. METRIC	DRAWN Victor LA	02/02/18
.X +/- 0.50	CHECKED Tony Tang	02/02/18
.XX +/- 0.30	CHECKED	
.XXX +/- 0.20		
FRACTIONS +/-		
ANGLES +/- 2'		
FOR MATERIALS AND FINISHES SEE NOTES	DRAWING FILE :	
REMOVE SHARP EDGES	ANGLE OF PROJECTION	
DIMENSIONS		
U.S. INCHES		
METRIC MM		

Amphenol

TITLE		REV.
Machined contacts, D-ST series		3
SIZE	DRAWING NO.	
A4	L717DXXXPSTX	
SCALE	NONE	SHEET 1 OF 2

This document is the property of Amphenol Corporation and is delivered on the express condition that it is not to be disclosed, reproduced or used, in whole or in part, for manufacture or sale by anyone other than Amphenol Corporation without its prior consent, & that no right is granted to disclose or to use any information in this document.

REVISIONS				
SYM	ECN	DESCRIPTION	DATE	APPROVED
1	HK--	First Release Drawing	12/14/07	IP
2	HK--	Update the Drawing	10/20/14	IP
3	HK--	Update the Drawing	02/02/18	IP

Plastic hoods



DPPK Straight cable entry



DSSK Angled cable entry



Kit connector+hood option:
(See following description)

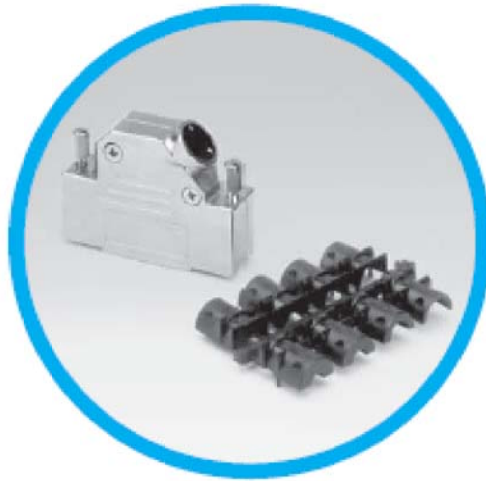
X X ST X X

- 1 = DPPK
- 2 = DSSK
- 3 = DTZK
- 4 = DVZK

Metallic hoods



DTZK Straight cable entry



DVZK Angled cable entry

UNLESS OTHERWISE SPECIFIED TOLERANCES U.S. METRIC .X +/- 0.50 .XX +/- 0.30 .XXX +/- 0.20 FRACTIONS +/- ANGLES +/- 2° FOR MATERIALS AND FINISHES SEE NOTES REMOVE SHARP EDGES DIMENSIONS U.S. INCHES METRIC MM	APPROVAL DRAWN Victor.LA CHECKED Tony.Tang CHECKED	DATE 02/02/18 02/02/18	Amphenol TITLE Machined contacts, D-ST series SIZE DRAWING NO. A4 L717DXXXPSTX SCALE NONE	REV. 3 SHEET 2 OF 2
	DRAWING FILE :			
	ANGLE OF PROJECTION 			
	SCALE NONE			