

BALDOR® • RELIANCE 

Product Information Packet

L3608TM

5HP,3450RPM,1PH,60HZ,184T,3640LC,TEFC,F1

Part Detail							
Revision:	AS	Status:	PRD/A	Change #:		Proprietary:	No
Type:	AC	Elec. Spec:	36WGW957	CD Diagram:	CD0002A02	Mfg Plant:	
Mech. Spec:	36F227	Layout:	36LYF227	Poles:	02	Created Date:	
Base:	RG	Eff. Date:	02-11-2020	Leads:	2#14 A PH,3#16 B&J		

Specs			
Catalog Number:	L3608TM	KVA Code:	G
Enclosure:	TEFC	Lifting Lugs:	No Lifting Lugs
Frame:	184T	Locked Bearing Indicator:	No Locked Bearing
Frame Material:	Steel	Motor Lead Quantity/Wire Size:	2 @ 14 AWG, A PH
Output @ Frequency:	5.000 HP @ 60 HZ	Motor Lead Exit:	Ko Box
Synchronous Speed @ Frequency:	3600 RPM @ 60 HZ	Motor Lead Termination:	Flying Leads
Voltage @ Frequency:	230.0 V @ 60 HZ	Motor Type:	3640LC
XP Class and Group:	None	Mounting Arrangement:	F1
XP Division:	Not Applicable	Power Factor:	99
Agency Approvals:	UR	Product Family:	General Purpose
	CSA	Pulley End Bearing Type:	Ball
Auxillary Box:	No Auxillary Box	Pulley Face Code:	Standard
Auxillary Box Lead Termination:	None	Pulley Shaft Indicator:	Standard
Base Indicator:	Rigid	Rodent Screen:	None
Bearing Grease Type:	Polyrex EM (-20F +300F)	Shaft Extension Location:	Pulley End
Blower:	None	Shaft Ground Indicator:	No Shaft Grounding
Current @ Voltage:	19.500 A @ 230.0 V	Shaft Rotation:	Reversible
Design Code:	L	Shaft Slinger Indicator:	No Slinger

Drip Cover:	No Drip Cover	Speed Code:	Single Speed
Duty Rating:	CONT	Motor Standards:	NEMA
Electrically Isolated Bearing:	Not Electrically Isolated	Starting Method:	Direct on line
Feedback Device:	NO FEEDBACK	Thermal Device - Bearing:	None
Front Face Code:	Standard	Thermal Device - Winding:	Do Not Use
Front Shaft Indicator:	None	Vibration Sensor Indicator:	No Vibration Sensor
Heater Indicator:	No Heater	Winding Thermal 1:	Manual Thermal Overload
Insulation Class:	F	Winding Thermal 1 Location:	KO
Inverter Code:	Not Inverter	Winding Thermal 2:	None

Nameplate NP1257L	
CAT.NO.	L3608TM
SPEC.	36F227W957
HP	5
VOLTS	230
AMP	19.5
RPM	3450
FRAME	184T
HZ	60
PH	1
SER.F.	1.00
CODE	G
DES	L
CL	F
NEMA-NOM-EFF	83
PF	99
RATING	40C AMB-CONT
CC	USABLE AT 208V
DE	6206
ODE	6205
ENCL	TEFC
SN	

Parts List		
Part Number	Description	Quantity
SA034863	SA 36F227W957	1.000 EA
RA030891	RA 36F227W957	1.000 EA
TPBRT25DB	THERMAL 1PH 1.25 MAN 120CWELDED	1.000 EA
TP5059	GENERIC THERMAL KIT	1.000 EA
36CB3004A02	36 CB 1.09 @ 6, 1.25 MTO @ 3	1.000 EA
36GS1000SP	GASKET-CONDUIT BOX, .06 THICK #SV-330 LE	1.000 EA
51XB1016A08	10-16X 1/2HXWSSLD SERTYB	2.000 EA
11XW1032G06	10-32 X .38, TAPTITE II, HEX WSHR SLTD U	1.000 EA
HA6015A09	THERMAL RETAINER PLATED	1.000 EA
51XB1214A10	12-14 X 5/8HX WS SL SR TYBX	2.000 EA
36EP3104A01	FREP MACH ASSEMBLY FOR ROUTING	1.000 EA
HW4500A01	1641B(ALEMITE)400 UNIV, GREASE FITT	1.000 EA
13XF0832A08	8-32 X.50 PAN HD,SLTD, TYPE F SCREW, ZIN	2.000 EA
36GS3000	GASKET, CAPACITOR COVER LEXIDE	1.000 EA
51XB1016A05	10-16X5/16HX WA SL SR TYB (F/S)	2.000 EA
10XN2520A12	1/4-20 X 3/4 HEX HEAD CAP	2.000 EA
HW5100A05	WVY WSHR F/205 & 304 BRGS	1.000 EA
36EP3100A01SP	PUEP ASSEMBLY FOR ROUTING PURPOSES	1.000 EA
HW4500A01	1641B(ALEMITE)400 UNIV, GREASE FITT	1.000 EA
XY2520A12	1/4-20 HEX NUT, DIRECTIONAL SERRATIONS	4.000 EA
51XB1214A16	12-14X1.00 HXWSSLD SERTYB	1.000 EA
51XW1032A06	10-32 X .38, TAPTITE II, HEX WSHR SLTD S	3.000 EA
36CB4516	36 LIPPED CB LID - GALVANNEAL	1.000 EA
37GS1001SP	GASKET, CONDUIT BOX LID, .06 THICK LEXID	1.000 EA

Parts List (continued)		
Part Number	Description	Quantity
51XW0832A07	8-32 X .44, TAPTITE II, HEX WSHR SLTD SE	4.000 EA
HW2501E16	KEY, 1/4 SQ X 1.750	1.000 EA
HA7000A02	KEY RETAINER RING, 1 1/8 DIA, 1 3/8 DIA	1.000 EA
85XU0407S04	4X1/4 U DRIVE PIN STAINLESS	2.000 EA
51XW0832A07	8-32 X .44, TAPTITE II, HEX WSHR SLTD SE	2.000 EA
MJ1000A02	GREASE, MOBIL POLYREX EM - 124047	0.050 LB
36FH4009A124	IEC FH W/GRSR,GRILL,NO DIMPLES,PRIMER	1.000 EA
MG1000G27	MED CHARCOAL METALLIC GREY 400-0096	0.022 GA
LB1115N	LABEL,LIFTING DEVICE (ON ROLLS)	1.000 EA
SP5172A05	37 TYPE LC TORQ STAT SW LEAD ASSEMBLY	1.000 EA
WD1000A15	3-520132-2 AMP FLAG (4M/RL NON-CANC/NON-	6.000 EA
HA3101A40	THRUBOLT 1/4-20 X 12.687	4.000 EA
35FN3002A04SP	EXFN, PLASTIC, 6.376 OD, .906 ID W/KEY	1.000 EA
LB1119N	WARNING LABEL	1.000 EA
LB1087	LABEL,MANUAL RESET (ROLL LABEL)	1.000 EA
HA6362ZP	LIFTING LUG FOR 36 FRAME MOTORS.	2.000 EA
36CB5005A11	CAPACITOR BOX KIT,36CB3800,EC1161C06	1.000 EA
LC0002	CONNECTION LABEL	1.000 EA
NP1257L	ALUM UL CSA CC THERMAL REV MTG	1.000 EA
36PA1001	PKG GRP, PRINT PK1017A06	1.000 EA
MN416A01	TAG-INSTAL-MAINT no wire (1200/bx) 3/19	1.000 EA

Accessories		
Part Number	Description	Multiplier
36-3301	C FACE KIT	A8
36EP1304A62SP	FLANGE MTD ENDPLATE 182-4TD -ENCL (LESS	A8

AC Induction Motor Performance Data

Record # 10892 - Typical performance - not guaranteed values

Winding: 36WGW957-R001	Type: 3640LC	Enclosure: TEFC
-------------------------------	---------------------	------------------------

Nameplate Data				230 V, 60 Hz: Single Voltage Motor	
Rated Output (HP)	5			Full Load Torque	7.5 LB-FT
Volts	230			Start Configuration	direct on line
Full Load Amps	19.5			Breakdown Torque	26 LB-FT
R.P.M.	3450			Pull-up Torque	12.5 LB-FT
Hz	60	Phase	1	Locked-rotor Torque	15 LB-FT
NEMA Design Code	L	KVA Code	G	Starting Current	128 A
Service Factor (S.F.)	1			No-load Current	2.3 A
NEMA Nom. Eff.	83	Power Factor	99	Line-line Res. @ 25°C	0.38 Ω A Ph 1.02 Ω B Ph
Rating - Duty	40C AMB-CONT			Temp. Rise @ Rated Load	67°C

Load Characteristics 230 V, 60 Hz, 5 HP

% of Rated Load	25	50	75	100	125	150
Power Factor	98	98	98	98	97	97
Efficiency	66.4	81.5	83.9	83.9	82.1	79.2
Speed	3565	3539	3507	3472	3430	3389
Line amperes	6.5	10.4	14.9	19.6	24.7	29.9

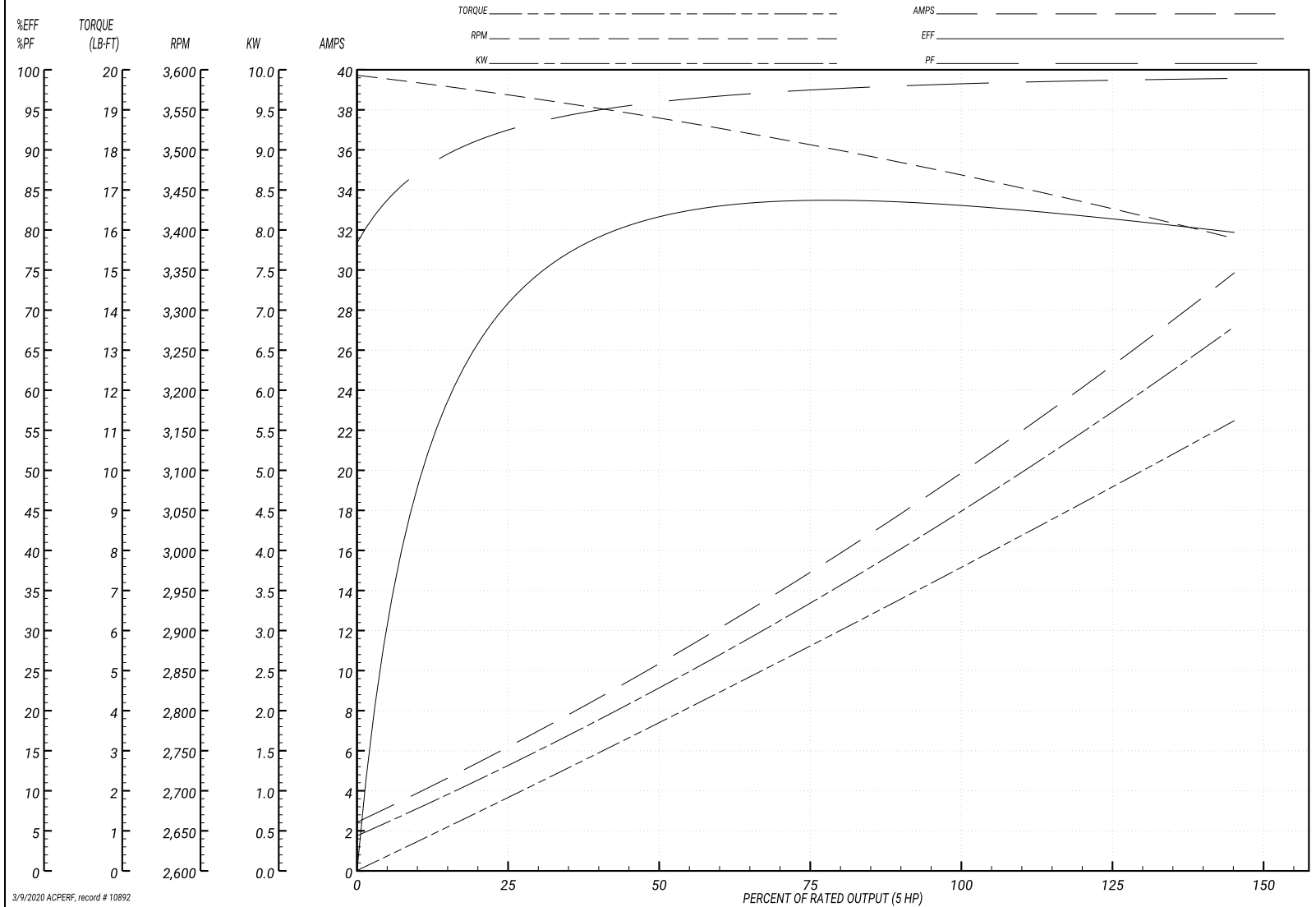
Performance Graph at 230V, 60Hz, 5.0HP Typical performance - Not guaranteed values

ABB Motors and Mechanical Inc.

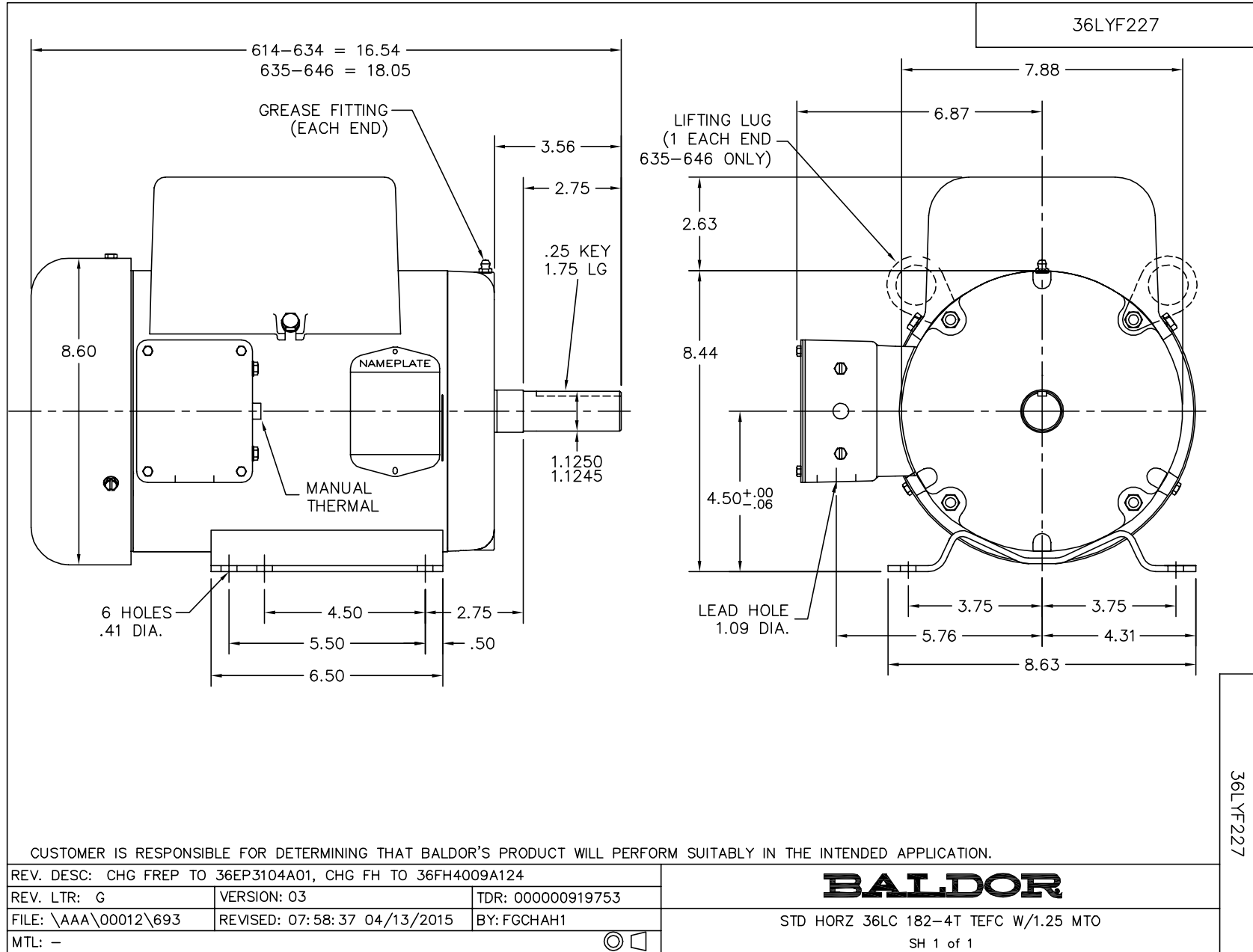
WINDING # 36WGW957

Typical performance - not guaranteed values.

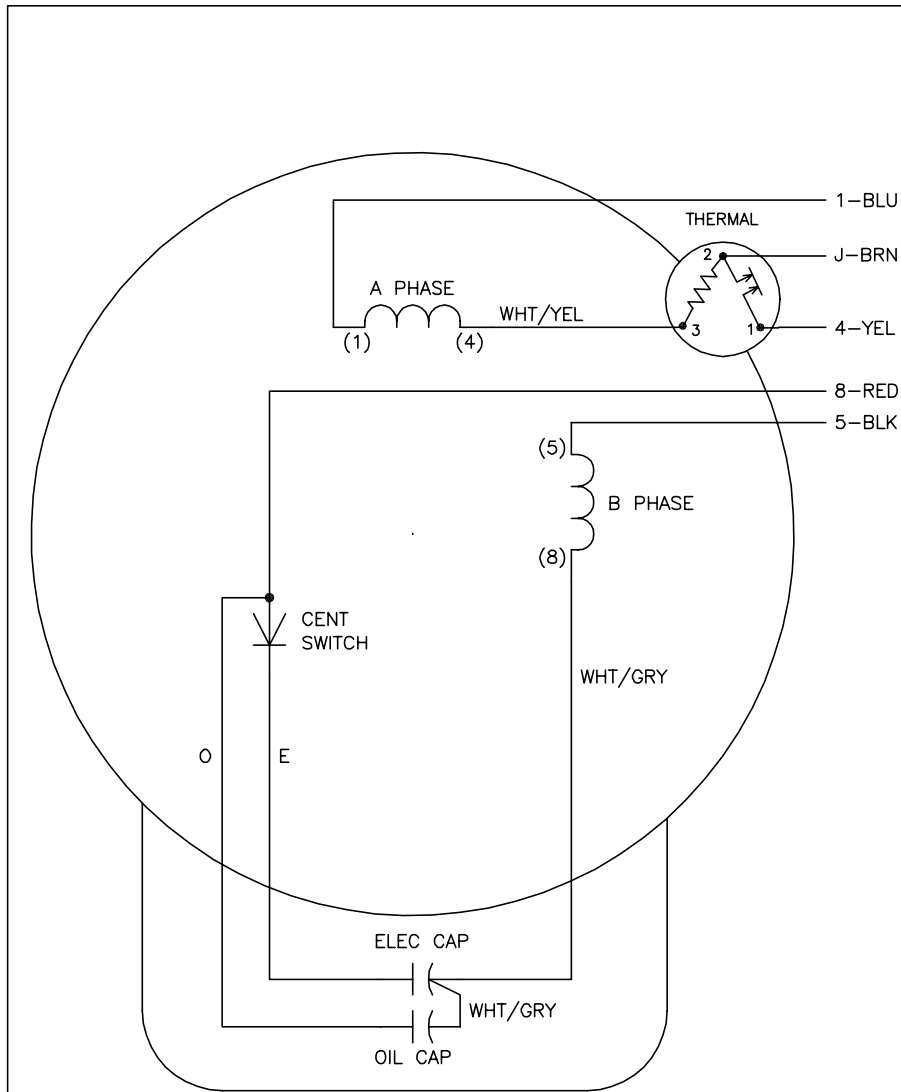
5 HP 1 PH 60 HZ 3450 RPM 230 V 3640LC
 TORQUES(LB-FT): PO=26 PU=12.5 LR=15 LRA=128



3/9/2020 ACPERF, record # 10892



CD0002A02



	LINE A	LINE B	JOIN
STD	1,8	4	J,5
OPP	1,5	4	J,8

NOTES:

1. STANDARD ROTATION IS CCW FACING END OPPOSITE SHAFT EXTENSION.
2. MULTIPLE CAPACITORS ARE CONNECTED IN PARALLEL UNLESS OTHERWISE SPECIFIED.
3. LEAD COLORS ARE OPTIONAL. LEADS MUST ALWAYS BE NUMBERED AS SHOWN.

REV. DESC: REMOVE 2-TERMINAL THERMAL DETAIL, SEE CD0002A04		
REV. LTR: D	VERSION: 01	TDR: 000000360649
Z0VZ00000	FILE: \AAA\00007\520	REVISED: 17:11:40 04/15/2005
CD0002A02	MTL: -	BY: ENJOEPO

BALDOR ELECTRIC Co.

TYPE LC, SV, REV, THERMAL, 5 LEADS

CD0002A02